



# Automation

**DEGSON** Terminal Block

**DEGSON ELECTRICAL CO., LTD.**  
ISO9001 ISO14001 ISO80079-34 ISO/TS22163 IATF16949

**DEGSON** Circular Connectors

**DEGSON ELECTRICAL CO., LTD.**  
ISO9001 ISO14001 ISO80079-34 ISO/TS22163 IATF16949

**DEGSON** Heavy Duty Connector

**DEGSON ELECTRICAL CO., LTD.**  
ISO9001 ISO14001 ISO80079-34 ISO/TS22163 IATF16949

**DEGSON** DIN Rail Terminal Blocks And Accessories System

**DEGSON ELECTRICAL CO., LTD.**  
ISO9001 ISO14001 ISO80079-34 ISO/TS22163 IATF16949

**DEGSON** EV Charging Cable

**DEGSON TECHNOLOGY CO.,LTD.**  
IATF16949

**DEGSON** Customized Product

**DEGSON ELECTRICAL CO., LTD.**  
ISO9001 ISO14001 ISO80079-34 ISO/TS22163 IATF16949



**DEGSON**  
DEGSON ELECTRICAL CO., LTD.

Add: No.1585.Xiaolin Road.Cixi.Ningbo China  
P.C.: 315321  
www.degson.com

Tel: +86-574-63510770  
E-mail: sale@degson.com



DEGSON website

ATP 23-E01



## Brief Introduction

DEGSON was founded in 1990. DEGSON is a world-renowned manufacturer of overall solutions for industrial connectors. DEGSON'S laboratory is UL-CTDP (USA) and VDE-TDAP (Germany) dual accreditation laboratory, it is also a CNAS laboratory. The company achieved ISO9001, ISO14001, ISO80079-34, ISO/TS22163 and IATF16949 management system certifications.

DEGSON is engaged in supplying highly reliable and durable products to serve global customers. The company has a market-leading capability of mould processing, automatic manufacturing and advanced testing. DEGSON has the complete engineering ability to support global customers with the professional customization solution and value-added service.

DEGSON products are widely recognized in China, the USA, Germany, the UK, Italy, Spain, Turkey, Japan, South Korea, Singapore, etc. totally hundred countries and regions. DEGSON supply high quality products and provide professional services globally in the industry sectors likely industrial automation, instrument, electric power, railway, marine and offshore, new energy, E-bike industrial elevator, lighting, security, machinery, etc. The company won the recognition from partners among Fortune 500 and industry leading enterprises.

Based on the core values of "Clients First, Win-win Strategy, Responsibility Integrity, Excellence Pursuit", DEGSON continuously integrates professional technical resources, R&D innovation, product manufacturing and technology application capabilities. Relying on global sales network, DEGSON aims to supply series of multiple varieties of high-quality products and services. We provide global customers with professional and quick connected application solutions, help customers continue to create value. DEGSON is making contributions to creating a smart and interconnected world.



## UL-CTDP (USA), VDE-TDAP (Germany) and CNAS labs

### Strategic cooperation with UL and VDE



① The general manager of UL global energy & technology division visit our company



② Sven Ohrke, President of VDE global services, comes to DEGSON to discuss strategic cooperation



③ VDE Laboratory Accreditation: In July 2010, VDE Issued the "VDE Authorized Laboratory" Certificate to DEGSON'S laboratory.  
UL laboratory accreditation: UL formally issued "UL WTDP" certification to DEGSON in March 2013. On April, 2016, UL-CTDP. On December, 2016, VDE-TDAP. On January, 2017, Pass IRIS system audit.



ISO9001

ISO14001

CNAS

ISO/TS22163

UL - CTDP

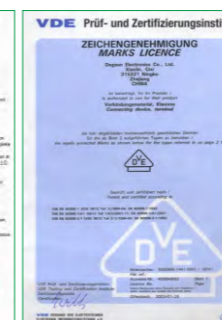
VDE - TDAP



EX certificate



UL Certificates:10, Covering 4000+Products



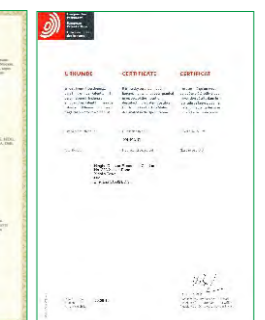
VDE Certificates:178, Covering 3000+Products



TUV certificate



EAC certificate



European invention patent



# CONTENTS



DF50 series I/O ..... 01-36



DF58 series I/O ..... 37-68



DF20 series I/O ..... 69-100



DFH67 Fieldbus High performance IP67 I/O ..... 101-154



DSW Series Unmanaged switch ..... 155-161



JB Series Junction Box ..... 162-179

## DF50 series I/O



Small



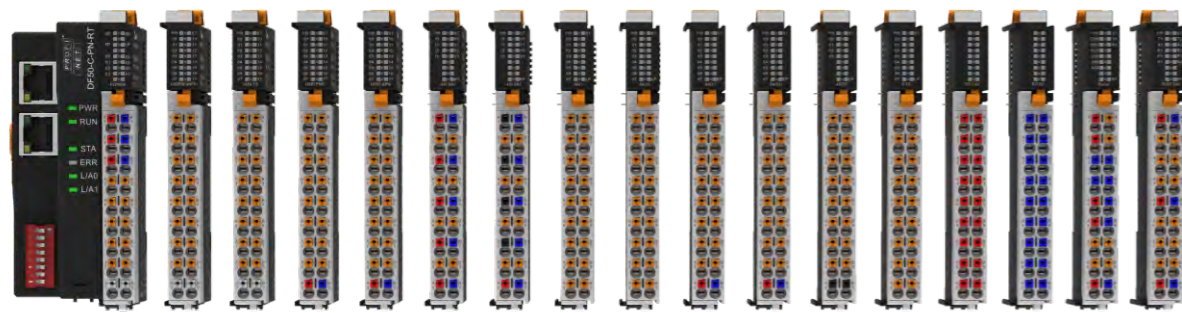
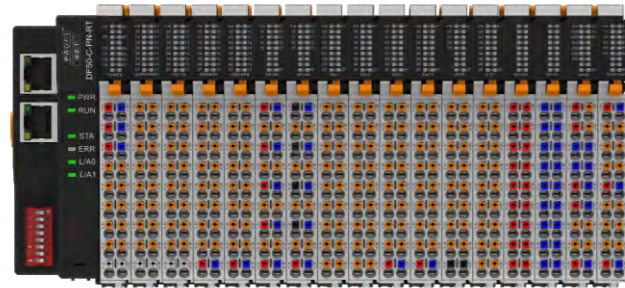
Compact



Convenient

- The DF50 series I/O system is a new upgrade to the DF20 series
- Comprehensively improve I/O performance and compatibility
- Tool free use, greatly improving convenience
- The bus coupler supports 32 modules without the need for a power module

## DF50 Series I/O Modules



Bus coupler

I/O module

### Bus coupler

- The bus coupler comes with 8 digital inputs
- Supports multiple industrial Ethernet bus protocols
- The bus coupler support 32 modules

### Tool free

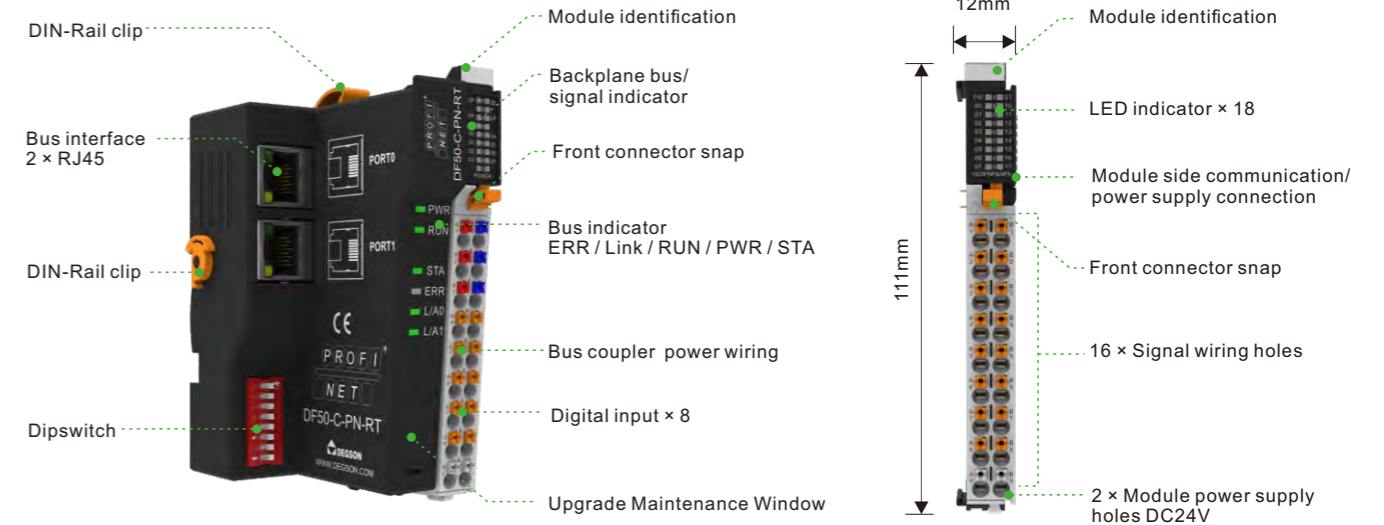
- No tools required for module installation and disassembly
- No tools required to install and remove front connectors
- No tools required for wiring and dismantling

### I/O module

- The I/O signal is independently powered, no need to add power module
- Digital input compatible with both PNP and NPN signals
- The analog input/output module is compatible with current and voltage, supports multiple ranges and each channel can be independently selected, and supports 2, 3, and 4 wire connection methods

### Appearance

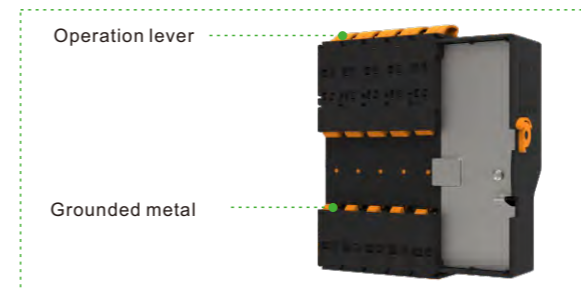
- 12mm ultra-thin volume, sharp blade shape
- The module has an identification system
- The module is grounded through the back metal connection DIN-rail
- Distinguish wiring holes with different functions by color



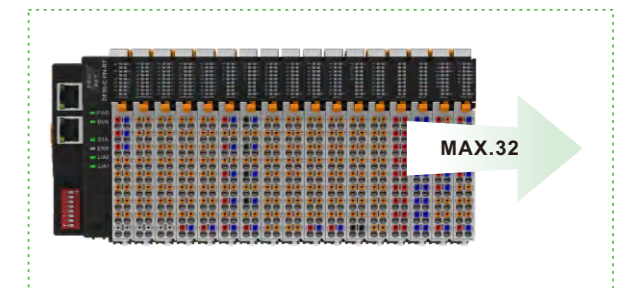
- PUSH-IN, no tools required for wire connection and disassembly



- Pluggable front connector



- Tool free manual operation lever
- The module is grounded through the back metal connection DIN-rail



- Bus coupler can support up to 32 modules



- Module has identification
- The module indicator system contains information such as signals, power, faults ...



- Communication between modules through side connecting finger
- Module power supply is connected through side metal clips



## PROFINET Bus coupler



DF50-C-PN-RT

PROFINET, 2 RJ45, extensible 32 modules, 24VDC

## Features

- With a power module.
- LED display working status, alarm and bus fault prompt.
- Two PROFINET interface (RJ45, 10/100Mbps).
- With Media Redundancy Protocol.

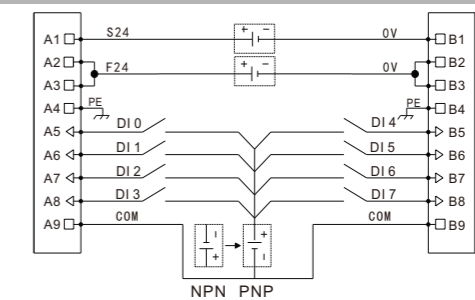
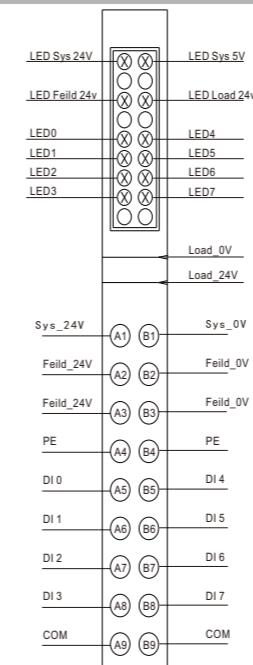
Specification		Digital Inputs Specification	
Product	DF50-C-PN-RT	Number of channels	8
Communication protocol	PROFINET	Data size	1 Byte
Transmission rate	10/100Mbps, full duplex	Signal type	NPN & PNP
Transmission distance	100 meters	"0" signal voltage	<5V
PDO data	1024 bytes	"1" signal voltage	>11V
Number of extensible modules	32	Connection type	1-line
Address mapping	Yes	Reverse protection	Yes
Address setting	PROFINET specification	Isolation method	Photoelectric isolation
Transmission medium	Class 5 twisted pair cable	Fault diagnosis	Yes
Isolation method	Electrical isolation	Typical input current	0.6mA
Features	RT, conforming to Class C, MRP, automatic addressing/topology detection	Fault diagnosis	2.3mA
		Typical input current	2.1mA
Alarm function	Diagnostic alarm, process alarm, plug and unplug connector alarm	Fault diagnosis	2.4mA
		Filtering time	0.2ms-40ms configurable
Minimum cycle time	1ms	Hardware response time	200us

Power Supply Parameters			
Connection type	PUSH-IN type terminal block	The minimum area of a wire (AWG)	AWG26
Working voltage	24V DC +20 %/ -15 %	Strip length	8...10mm
Working current	Max. 1.5A	Internal system rated voltage	5VDC
Maximum area of wire	1.5mm <sup>2</sup>	Internal system rated current	2A
Maximum area of wire (AWG)	AWG16	Output power supply voltage	24V(20.4VDC~28.8VDC)
The minimum area of a wire	0.14mm <sup>2</sup>	Output power supply current	Max. 0.75A

## PROFINET Bus coupler

Product	DF50-C-PN-RT
Mechanical Structure	
Protection grade	IP20
Size(H X W X D)	111mm X 48mm X 75mm
Installation type	35mm DIN
Work Environment	
Working temperature	-25...60°C
Storage temperature	-40...85°C
Relative humidity	5...95%RH(non-condensing)
LED Status Indicator	
PWR	Green: Power is working
RUN	Green: I/O system is running
STA	Blinking green: The module is working
ERR	Red: An error occurred between I/O system and module
L/A0	Green : PORT 1 connected successfully.
	Green blinking : Port 1 has data communication.
L/A1	Green : PORT 2 connected successfully.
	Green blinking : Port 2 has data communication.
Sys 24v	Green:The system power input is normal
Sys 5v	Green: The system power output is normal
Feild 24v	Green:Load power input is normal
Load 24v	Green: The load power output is normal

## Wiring Diagram



## PIN definition

Mark	Description	Mark	Description
A1	Sys_24V	B1	Sys_0V
A2	Feild_24V	B2	Feild_0V
A3	Feild_24V	B3	Feild_0V
A4	PE	B4	PE
A5	input 0	B5	input 4
A6	input 1	B6	input 5
A7	input 2	B7	input 6
A8	input 3	B8	input 7
A9	COM	B9	COM

COM is the common terminal of DI0~DI7, connected to 24V is NPN, and connected to 0V is PNP



## EtherCAT Bus coupler



DF50-C-EC

EtherCAT, 2 RJ45, extensible 32 modules, 24VDC

**Features**

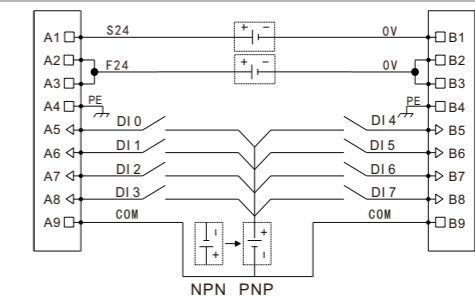
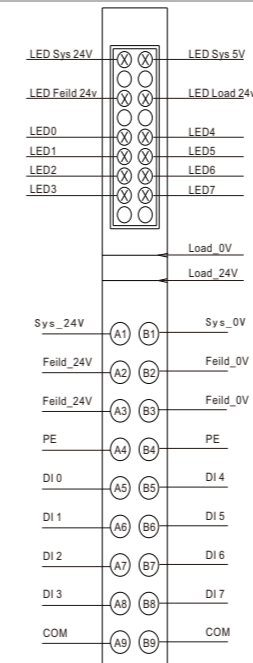
- With a power module.
- LED display working status, alarm and bus fault prompt.
- Two EtherCAT interface (RJ45, 100Mbps).

Specification		Digital Inputs Specification	
Product	DF50-C-EC	Number of channels	8
Communication protocol	EtherCAT	Data size	1 Byte
Transmission rate	10/100Mbps, full duplex	Signal type	NPN & PNP
Transmission distance	100 meters	"0" signal voltage	<5V
PDO data	1024 bytes	"1" signal voltage	>11V
Number of extensible modules	32	Connection type	1-line
Address mapping	Yes	Reverse protection	Yes
Address setting	EtherCAT specification, DIP switch	Isolation method	Photoelectric isolation
Transmission medium	Class 5 twisted pair cable	Fault diagnosis	Yes
Isolation method	Electrical isolation	Typical input current	0.6mA
Features	1ms	Fault diagnosis	2.3mA
		Typical input current	2.1mA
Alarm function	Diagnostic alarm, process alarm, plug and unplug connector alarm	Fault diagnosis	2.4mA
		Filtering time	0.2ms-40ms configurable
Minimum cycle time	2 X RJ45, with switch function	Hardware response time	200us

Power Supply Parameters			
Connection type	PUSH-IN type terminal block	The minimum area of a wire (AWG)	AWG26
Working voltage	24V DC +20 %/ -15 %	Strip length	8...10mm
Working current	Max. 1.5A	Internal system rated voltage	5VDC
Maximum area of wire	1.5mm <sup>2</sup>	Internal system rated current	2A
Maximum area of wire (AWG)	AWG16	Output power supply voltage	24V(20.4VDC~28.8VDC)
The minimum area of a wire	0.14mm <sup>2</sup>	Output power supply current	Max. 0.75A

## EtherCAT Bus coupler

Product	DF50-C-EC
<b>Mechanical</b>	
Protection grade	IP20
Size(H X W X D)	111mm X 48mm X 75mm
Installation type	35mm DIN
<b>Work Environment</b>	
Working temperature	-25...60°C
Storage temperature	-40...85°C
Relative humidity	5...95%RH(non-condensing)
<b>LED Status Indicator</b>	
PWR	Green: Power is working
RUN	Green: I/O system is running
STA	Blinking green: The module is working
ERR	Red: An error occurred between I/O system and module
L/A0	Green : PORT 1 connected successfully.
	Green blinking : Port 1 has data communication.
L/A1	Green : PORT 2 connected successfully.
	Green blinking : Port 2 has data communication.
Sys 24v	Green:The system power input is normal
Sys 5v	Green: The system power output is normal
Feild 24v	Green:Load power input is normal
Load 24v	Green: The load power output is normal
<b>Wiring Diagram</b>	



PIN definition			
Mark	Description	Mark	Description
A1	Sys_24V	B1	Sys_0V
A2	Feild_24V	B2	Feild_0V
A3	Feild_24V	B3	Feild_0V
A4	PE	B4	PE
A5	input 0	B5	input 4
A6	input 1	B6	input 5
A7	input 2	B7	input 6
A8	input 3	B8	input 7
A9	COM	B9	COM

COM is the common terminal of DI0~DI7, connected to 24V is NPN, and connected to 0V is PNP





DF50-M-16DI-P/N

Digital input module, 16 ports, PNP, 24VDC

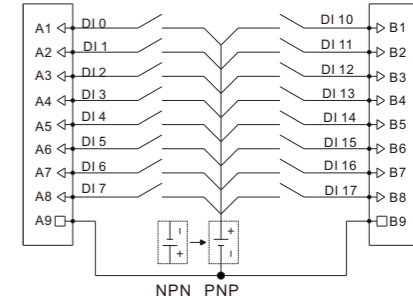
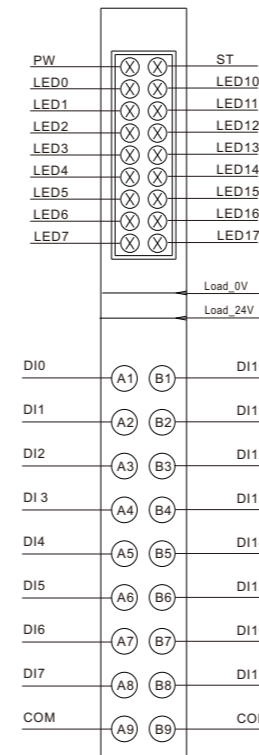
**Specification**

Product	DF50-M-16DI-P/N
Number of channels	16
Data size	2 Byte
Signal type	NPN & PNP
"0" signal voltage	>11V
"1" signal voltage	<5V
Connection type	1-line, Type 1/Type 3, Refer to IEC 61131-2
Reverse protection	Yes
Isolation method	Photoelectric isolation
Fault diagnosis	Yes
Typical input current	0.6mA
Fault diagnosis	2.3mA
Typical input current	2.1mA
Fault diagnosis	2.4mA
Filtering time	0.2ms-40ms configurable,
Hardware response time	200us

**Power Supply Parameters**

Connection type	PUSH-IN type terminal block
Working voltage	24V DC +20 % / -15 %
System feed current	<30mA
Maximum area of wire	1.5mm <sup>2</sup>
Maximum area of wire (AWG)	AWG16
The minimum area of a wire	0.14mm <sup>2</sup>
The minimum area of a wire (AWG)	AWG26
Strip length	8...10mm

Product	DF50-M-16DI-P/N
<b>Mechanical Structure</b>	
Protection grade	IP20
Size(H X W X D)	111mm X 12mm X 75mm
Installation type	35mm DIN
<b>Work Environment</b>	
Working temperature	-25...60°C
Storage temperature	-40...85°C
Relative humidity	5...95%RH(non-condensing)
<b>LED Status Indicator</b>	
PW	Green: Internal bus power supply is normal
ST	Power on stage: green on: module initialization abnormal, green off: module initialization normal
	Operation phase: Green flashing: The internal bus of the module is working normally, green off: The internal bus of the module is working abnormally
LED	Green: input signal is valid
<b>Wiring Diagram</b>	


**PIN definition**

Mark	Description	Mark	Description
A1	input 0	B1	input 10
A2	input 1	B2	input 11
A3	input 2	B3	input 12
A4	input 3	B4	input 13
A5	input 4	B5	input 14
A6	input 5	B6	input 15
A7	input 6	B7	input 16
A8	input 7	B8	input 17
A9	COM	B9	COM

COM is the common terminal of DI0-DI17, connected to 24V is NPN, and connected to 0V is PNP



## Digital output module



DF50-M-16DO-N

Digital output module, 16 ports, NPN, 24VDC



DF50-M-16DO-P

Digital output module, 16 ports, PNP, 24VDC

## Specification

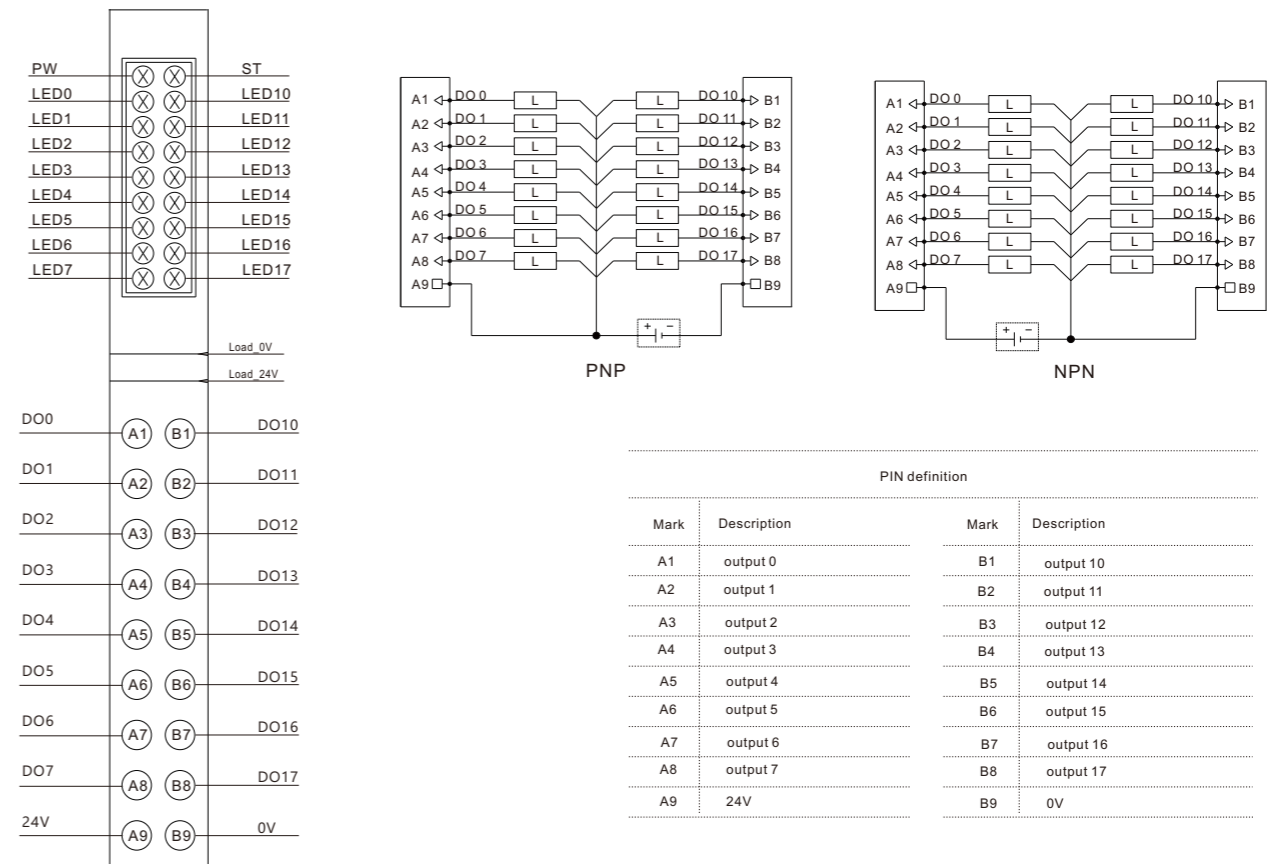
Product	DF50-M-16DO-N	DF50-M-16DO-P
Number of channels	16	
Data size	2 Byte	
Signal type	NPN	PNP
"0" signal voltage	high-impedance state	high-impedance state
"1" signal voltage	0V DC	24V DC
Connection type	1-line	
Reverse protection	Yes	
Isolation method	Photoelectric isolation	
Switching Frequency (resistance/lamp load)	<1000Hz	
Switching Frequency (Inductive load)	<0.2Hz	
Response Time of the Protection Circuit	< 100μs	
Output current per channel(MAX)	500 mA	
Load type	Inductive (7.2W/point, 24W/module), resistive (0.5A/point, 4A/module), light (5W/point, 18W/module)	

## Power Supply Parameters

Connection type	PUSH-IN type terminal block	
Working voltage	24V DC +20 % / -15 %	
System feed current	<75mA	<100mA
Maximum area of wire	1.5mm <sup>2</sup>	
Maximum area of wire (AWG)	AWG16	
The minimum area of a wire	0.14mm <sup>2</sup>	
The minimum area of a wire (AWG)	AWG26	
Strip length	8...10mm	

## Digital output module

Product	DF50-M-16DO-N	DF50-M-16DO-P
<b>Mechanical Structure</b>		
Protection grade	IP20	
Size(H X W X D)	111mm X 12mm X 75mm	
Installation type	35mm DIN	
<b>Work Environment</b>		
Working temperature	-25...60°C	
Storage temperature	-40...85°C	
Relative humidity	5... 95%RH(non-condensing)	
<b>LED Status Indicator</b>		
PW	Green: Internal bus power supply is normal	
ST	Power on stage: green on: module initialization abnormal, green off: module initialization normal	
	Operation phase: Green flashing: The internal bus of the module is working normally, green off: The internal bus of the module is working abnormally	
LED	Green: input signal is valid	
<b>Wiring Diagram</b>		



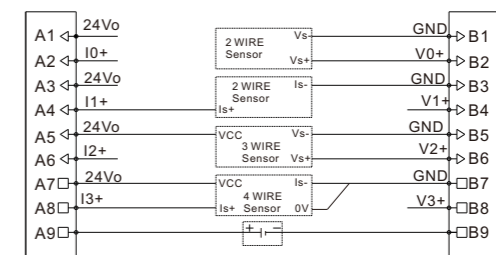
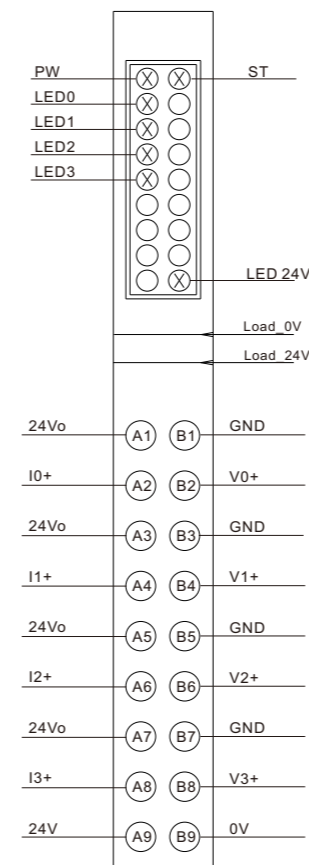


DF50-M-4AI-UI-6

Analog input module, 4 channels, voltage type, current type

Specification	
Product	DF50-M-4AI-UI-6
Number of channels	4
Data size	8 Byte
Voltage test range	±10V, 0-10V, 2-10V, ±5V, 0-5V, 1-5V
Current test range	0-20mA, 4-20mA
Connection type	2/3/4-line
Reverse protection	Yes
Isolation method	Magnetic isolation
Fault diagnosis	Yes
Diagnostic reporting	Yes
Resolution	16 Bit
Signal type	/
Filter parameter configuration	/
Input accuracy	±0.20%
Conversion time	60us/channel
Sampling time	4-channel 250us
Power Supply Parameters	
Connection type	PUSH-IN type terminal block
Working voltage	24V DC +20 %/ -15 %
System feed current	<120mA
Maximum area of wire	1.5mm <sup>2</sup>
Maximum area of wire (AWG)	AWG16
The minimum area of a wire	0.14mm <sup>2</sup>
The minimum area of a wire (AWG)	AWG26
Strip length	8...10mm

Product	DF50-M-4AI-UI-6
Mechanical Structure	
Protection grade	IP20
Size(H X W X D)	111mm X 12mm X 75mm
Installation type	35mm DIN
Work Environment	
Working temperature	-25...60°C
Storage temperature	-40...85°C
Relative humidity	5...95%RH(non-condensing)
LED Status Indicator	
PW	Green: Internal bus power supply is normal
ST	Power on stage: green on: module initialization abnormal, green off: module initialization normal
	Operation phase: Green flashing: The internal bus of the module is working normally, green off: The internal bus of the module is working abnormally
LED	Green flashing: channel sampling is normal; Green off: signal is 0
EP	Green: External interface power supply is normal
Wiring Diagram	



## PIN definition

Mark	Description	Mark	Description
A1	24Vo	B1	GND
A2	Current input 0+	B2	Voltage input 0+
A3	24Vo	B3	GND
A4	Current input 1+	B4	Voltage input 1+
A5	24Vo	B5	GND
A6	Current input 2+	B6	Voltage input 2+
A7	24Vo	B7	GND
A8	Current input 3+	B8	Voltage input 3+
A9	Load_24V	B9	Load_0V





DF50-M-8AI-U-4

Analog input module, 8 channels, voltage type

**Specification**

Product	DF50-M-8AI-U-4
Number of channels	8
Data size	16 Byte
Voltage test range	±10V, 0-10V, 2-10V, ±5V, 0-5V, 1-5V
Connection type	2-line
Reverse protection	Yes
Isolation method	Magnetic isolation
Fault diagnosis	Yes
Diagnostic reporting	Yes
Resolution	16 Bit
Signal type	single-ended
Filter parameter configuration	The software filtering time can be configured through the upper computer
Input accuracy	±0.20%
Conversion time	60us/channel
Sampling time	8-channel 500us

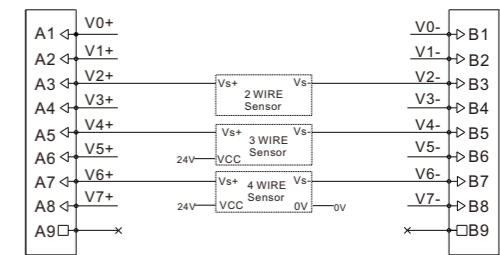
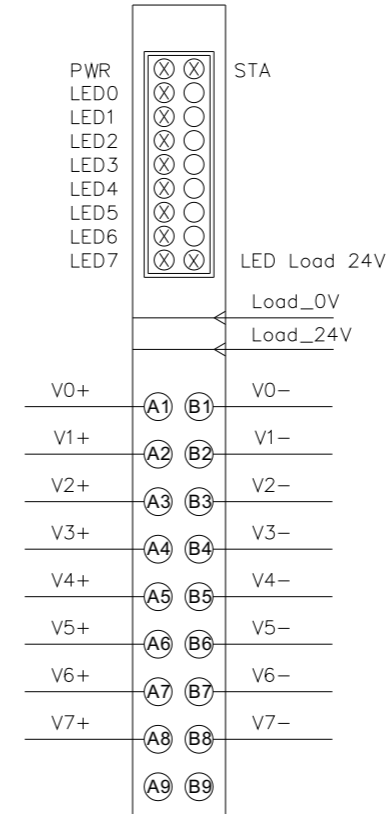
**Power Supply Parameters**

Connection type	PUSH-IN type terminal block
Working voltage	24V DC +20 %/ -15 %
System feed current	<120mA
Maximum area of wire	1.5mm <sup>2</sup>
Maximum area of wire (AWG)	AWG16
The minimum area of a wire	0.14mm <sup>2</sup>
The minimum area of a wire (AWG)	AWG26
Strip length	8...10mm

Product	DF50-M-8AI-U-4
<b>Mechanical Structure</b>	
Protection grade	IP20
Size(H X W X D)	111mm X 12mm X 75mm
Installation type	35mm DIN
<b>Work Environment</b>	
Working temperature	-25...60°C
Storage temperature	-40...85°C
Relative humidity	5... 95%RH(non-condensing)

**LED Status Indicator**

PW	Green: Internal bus power supply is normal
ST	Power on stage: green on: module initialization abnormal, green off: module initialization normal
	Operation phase: Green flashing: The internal bus of the module is working normally, green off: The internal bus of the module is working abnormally
LED	Green flashing: channel sampling is normal; Green off: signal is 0
LP	Green: Internal system power supply is normal

**Wiring Diagram**

**PIN definition**

Mark	Description	Mark	Description
A1	Voltage input 0+	B1	Voltage input 0-
A2	Voltage input 1+	B2	Voltage input 1-
A3	Voltage input 2+	B3	Voltage input 2-
A4	Voltage input 3+	B4	Voltage input 3-
A5	Voltage input 4+	B5	Voltage input 4-
A6	Voltage input 5+	B6	Voltage input 5-
A7	Voltage input 6+	B7	Voltage input 6-
A8	Voltage input 7+	B8	Voltage input 7-
A9	/	B9	/

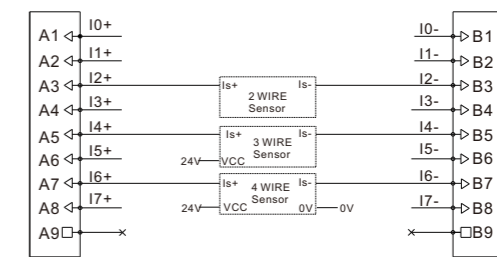
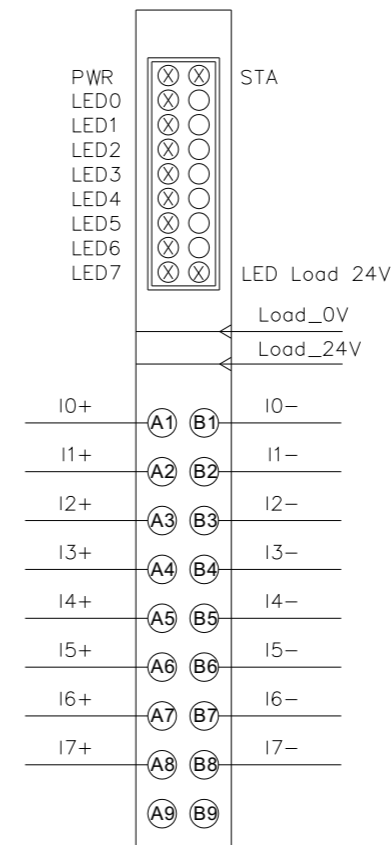


DF50-M-8AI-I-5

Analog input module, 8 channels, current type

Specification	
Product	DF50-M-8AI-I-5
Number of channels	8
Data size	16 Byte
Current test range	0-20mA, 4-20mA
Connection type	2-line
Reverse protection	Yes
Isolation method	Magnetic isolation
Fault diagnosis	Yes
Diagnostic reporting	Yes
Resolution	16 Bit
Signal type	single-ended
Filter parameter configuration	The software filtering time can be configured through the upper computer
Input accuracy	±0.20%
Conversion time	60us/channel
Sampling time	8-channel 500us
Power Supply Parameters	
Connection type	PUSH-IN type terminal block
Working voltage	24V DC +20% / -15%
System feed current	<120mA
Maximum area of wire	1.5mm <sup>2</sup>
Maximum area of wire (AWG)	AWG16
The minimum area of a wire	0.14mm <sup>2</sup>
The minimum area of a wire (AWG)	AWG26
Strip length	8...10mm

Product	DF50-M-8AI-I-5
Mechanical Structure	
Protection grade	IP20
Size(H X W X D)	111mm X 12mm X 75mm
Installation type	35mm DIN
Work Environment	
Working temperature	-25...60°C
Storage temperature	-40...85°C
Relative humidity	5... 95%RH(non-condensing)
LED Status Indicator	
PW	Green: Internal bus power supply is normal
ST	Power on stage: green on: module initialization abnormal, green off: module initialization normal
	Operation phase: Green flashing: The internal bus of the module is working normally, green off: The internal bus of the module is working abnormally
LED	Green flashing: channel sampling is normal; Green off: signal is 0
LP	Green: Internal system power supply is normal
Wiring Diagram	



PIN definition

Mark	Description	Mark	Description
A1	Current input 0+	B1	Current input 0-
A2	Current input 1+	B2	Current input 1-
A3	Current input 2+	B3	Current input 2-
A4	Current input 3+	B4	Current input 3-
A5	Current input 4+	B5	Current input 4-
A6	Current input 5+	B6	Current input 5-
A7	Current input 6+	B7	Current input 6-
A8	Current input 7+	B8	Current input 7-
A9	/	B9	/



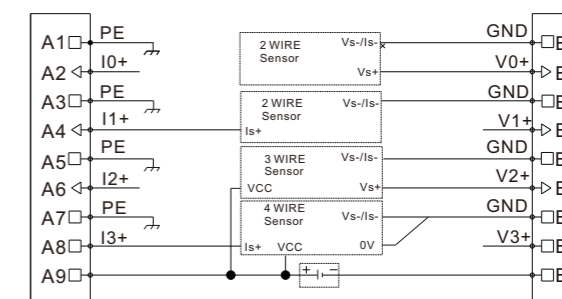
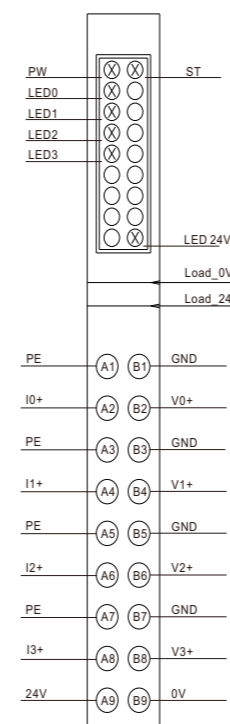


DF50-M-4AO-UI-6

Analog output module, 4 channels, voltage type, current type

Specification	
Product	DF50-M-4AO-UI-6
Number of channels	4
Data size	8 Byte
Voltage output range	±10V, 0-10V, 2-10V, ±5V, 0-5V, 1-5V
Current output range	0-20mA, 4-20mA
Signal type	single-ended
Connection type	2/3/4-line
Overcurrent protection	Yes
Isolation method	Magnetic isolation
Fault diagnosis	Yes
Resolution	16 Bit
Output accuracy	±0.50%
Temperature coefficient	<30 ppm/K
Independent channel configuration	Yes
Conversion time	60us/channel
Power Supply Parameters	
Connection type	PUSH-IN type terminal block
Working voltage	24V DC +20 %/ -15 %
System feed current	<110mA
Maximum area of wire	1.5mm <sup>2</sup>
Maximum area of wire (AWG)	AWG16
The minimum area of a wire	0.14mm <sup>2</sup>
The minimum area of a wire (AWG)	AWG26
Strip length	8...10mm

Product	DF50-M-4AO-UI-6
Mechanical Structure	
Protection grade	IP20
Size(H X W X D)	111mm X 12mm X 75mm
Installation type	35mm DIN
Work Environment	
Working temperature	-25...60°C
Storage temperature	-40...85°C
Relative humidity	5... 95%RH(non-condensing)
LED Status Indicator	
PW	Green: Internal bus power supply is normal
ST	Power on stage: green on: module initialization abnormal, green off: module initialization normal
	Operation phase: Green flashing: The internal bus of the module is working normally, green off: The internal bus of the module is working abnormally
LED	Green flashing: channel sampling is normal; Green off: signal is 0
EP	Green: External interface power supply is normal
Wiring Diagram	



PIN definition			
Mark	Description	Mark	Description
A1	PE	B1	GND
A2	Current output 0+	B2	Voltage output 0+
A3	PE	B3	GND
A4	Current output 1+	B4	Voltage output 1+
A5	PE	B5	GND
A6	Current output 2+	B6	Voltage output 2+
A7	PE	B7	GND
A8	Current output 3+	B8	Voltage output 3+
A9	Load_24V	B9	Load_0V

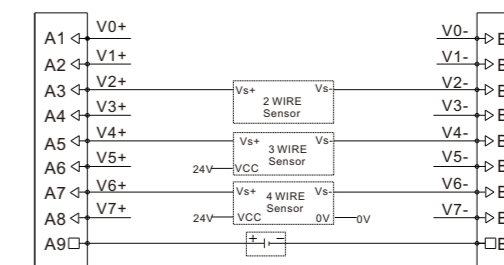
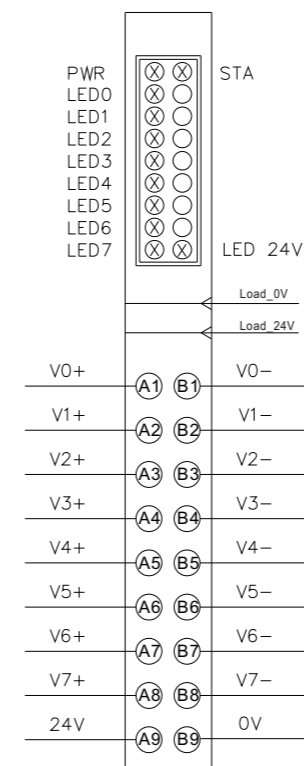


DF50-M-8AO-U-4

Analog output module, 8 channels, voltage type

Specification	
Product	DF50-M-8AO-U-4
Number of channels	8
Data size	16 Byte
Voltage output range	±10V, 0-10V, 2-10V, ±5V, 0-5V, 1-5V
Signal type	single-ended
Connection type	2-line
Overcurrent protection	Yes
Isolation method	Magnetic isolation
Fault diagnosis	Yes
Resolution	16 Bit
Output accuracy	±0.50%
Temperature coefficient	<30 ppm/K
Independent channel configuration	Yes
Conversiontime	60us/channel
Power Supply Parameters	
Connection type	PUSH-IN type terminal block
Working voltage	24V DC +20 %/ -15 %
System feed current	<110mA
Maximum area of wire	1.5mm <sup>2</sup>
Maximum area of wire (AWG)	AWG16
The minimum area of a wire	0.14mm <sup>2</sup>
The minimum area of a wire (AWG)	AWG26
Strip length	8...10mm

Product	DF50-M-8AO-U-4
Mechanical Structure	
Protection grade	IP20
Size(H X W X D)	111mm X 12mm X 75mm
Installation type	35mm DIN
Work Environment	
Working temperature	-25...60°C
Storage temperature	-40...85°C
Relative humidity	5... 95%RH(non-condensing)
LED Status Indicator	
PW	Green: Internal bus power supply is normal
ST	Power on stage: green on: module initialization abnormal, green off: module initialization normal
	Operation phase: Green flashing: The internal bus of the module is working normally, green off: The internal bus of the module is working abnormally
LED	Green flashing: channel sampling is normal; Green off: signal is 0
EP	Green: External interface power supply is normal
Wiring Diagram	



## PIN definition

Mark	Description	Mark	Description
A1	Voltage input 0+	B1	Voltage input 0-
A2	Voltage input 1+	B2	Voltage input 1-
A3	Voltage input 2+	B3	Voltage input 2-
A4	Voltage input 3+	B4	Voltage input 3-
A5	Voltage input 4+	B5	Voltage input 4-
A6	Voltage input 5+	B6	Voltage input 5-
A7	Voltage input 6+	B7	Voltage input 6-
A8	Voltage input 7+	B8	Voltage input 7-
A9	/	B9	/



## Analog output module



DF50-M-8AO-I-5

Analog output module, 8 channels, current type

## Specification

Product	DF50-M-8AO-I-5
Number of channels	8
Data size	16 Byte
Current output range	0-20mA, 4-20mA
Signal type	single-ended
Connection type	2-line
Overcurrent protection	Yes
Isolation method	Magnetic isolation
Fault diagnosis	Yes
Resolution	16 Bit
Output accuracy	±0.50%
Temperature coefficient	<30 ppm/K
Independent channel configuration	Yes
Conversiontime	60us/channel

## Power Supply Parameters

Connection type	PUSH-IN type terminal block
Working voltage	24V DC +20 %/ -15 %
System feed current	<110mA
Maximum area of wire	1.5mm <sup>2</sup>
Maximum area of wire (AWG)	AWG16
The minimum area of a wire	0.14mm <sup>2</sup>
The minimum area of a wire (AWG)	AWG26
Strip length	8...10mm

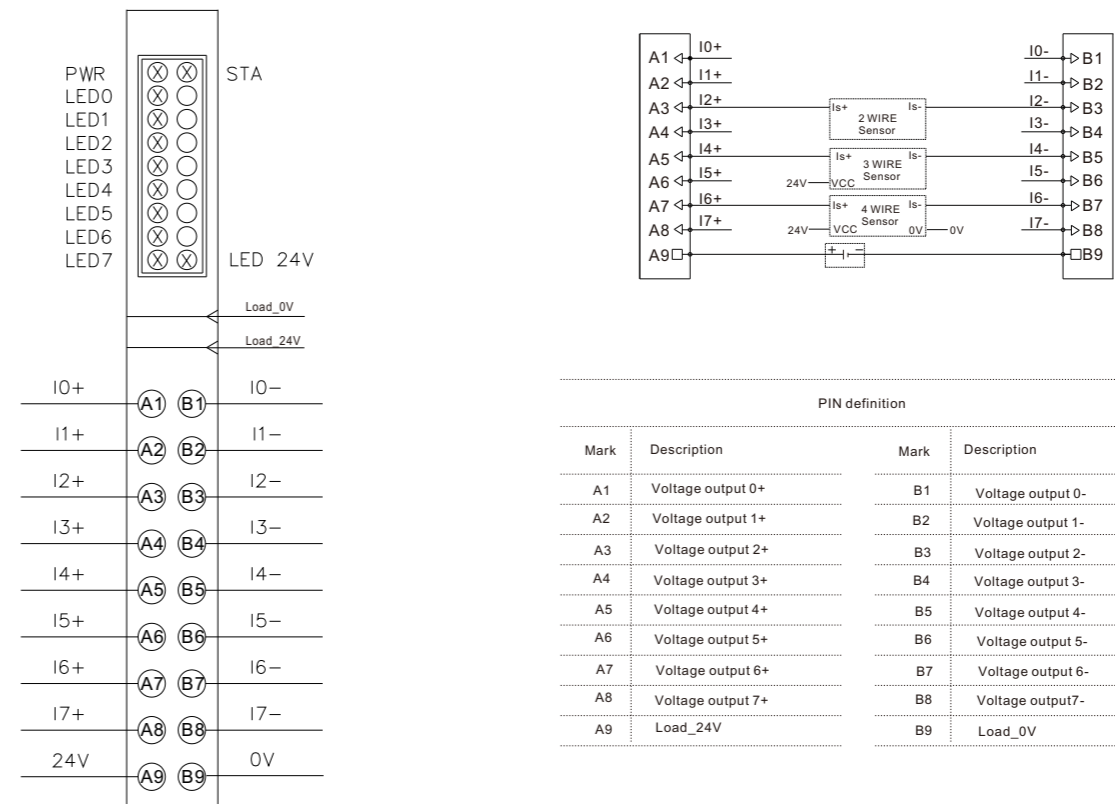
## Analog output module

Product	DF50-M-8AO-I-5
<b>Mechanical Structure</b>	
Protection grade	IP20
Size(H X W X D)	111mm X 12mm X 75mm
Installation type	35mm DIN
<b>Work Environment</b>	
Working temperature	-25...60°C
Storage temperature	-40...85°C
Relative humidity	5... 95%RH(non-condensing)

## LED Status Indicator

PW	Green: Internal bus power supply is normal
ST	Power on stage: green on: module initialization abnormal, green off: module initialization normal
	Operation phase: Green flashing: The internal bus of the module is working normally, green off: The internal bus of the module is working abnormally
LED	Green flashing: channel sampling is normal; Green off: signal is 0
EP	Green: External interface power supply is normal

## Wiring Diagram





DF50-M-4RTD-PT

 Thermal Resistance (RTD) measurement module,  
16 bit resolution, 4 channels

Specification	
Product	DF50-M-4RTD-PT
Number of channels	4
Data size	8 Byte
Signal type	Thermal resistance
Signal type	Pt100, Pt200, Pt500, Pt1000, Ni100, Ni120, Ni200, Ni500, Ni1000, Cu10, 40 Ω, 80 Ω, 150 Ω, 300 Ω, 500 Ω, 1 kΩ, 2 kΩ, 4 kΩ
Connection type	2/3/4-line
Reverse protection	Yes
Isolation method	Magnetic isolation between each channel and the field layer, and isolation between channels
Fault diagnosis	Yes
Resolution	16bit, 0.1°C/ each number
Frequency interference suppression	50Hz   60Hz   400Hz
Diagnosis	Disconnection, Parameter assignment error
Process alarm	Upper/Lower limit, per channel
Temperature coefficient	±50ppm/K max.
Measuring range	Thermal resistance
Precision	*max. 0.2 % FSR / 0.3 % FSR for Ni sensors / 0.6 % FSR for Cu10
Conversion time	100-800ms, configurable

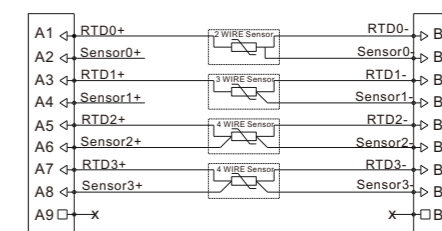
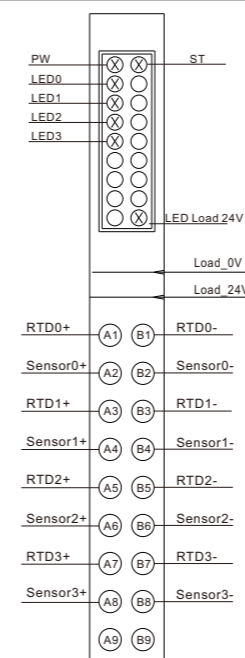
Product	DF50-M-4RTD-PT
Power Supply Parameters	
Connection type	PUSH-IN type terminal block
Working voltage	24V DC +20 %/ -15 %
System feed current	<100mA
Maximum area of wire	1.5mm <sup>2</sup>
Maximum area of wire (AWG)	AWG16
The minimum area of a wire	0.14mm <sup>2</sup>
The minimum area of a wire (AWG)	AWG26
Strip length	8...10mm

Mechanical Structure	
Protection grade	IP20
Size(H X W X D)	111mm X 12mm X 75mm
Installation type	35mm DIN

Work Environment	
Working temperature	-25...60°C
Storage temperature	-40...85°C
Relative humidity	5...95%RH(non-condensing)

LED Status Indicator	
PW	Green: Internal bus power supply is normal
ST	Power on stage: green on: module initialization abnormal, green off: module initialization normal
LED	Operation phase: Green flashing: The internal bus of the module is working normally, green off: The internal bus of the module is working abnormally
LED	Green flashing: channel sampling is normal; Green off: signal is 0

### Wiring Diagram



### PIN definition

Mark	Description	Mark	Description
A1	RTD0+	B1	RTD0-
A2	Sensor0+	B2	Sensor0-
A3	RTD1+	B3	RTD1-
A4	Sensor1+	B4	Sensor1-
A5	RTD2+	B5	RTD2-
A6	Sensor2+	B6	Sensor2-
A7	RTD3+	B7	RTD3-
A8	Sensor3+	B8	Sensor3-
A9	/	B9	/



DF50-M-8TC

 Thermocouple (TC) measurement module,  
16 bit resolution, 8 channels

Specification	
Product	DF50-M-8TC
Number of channels	8
Data size	16 Byte
Signal type	Thermocouple
Signal type	K, E, T, J, B, S, R, N, C, L
Cold End compensation	Internal and external (accuracy $\leq 3K$ )
Diagnosis	Yes
Temperature coefficient	$\leq 50$ ppm/K
Connection type	2-line
Reverse protection	Yes
Isolation method	Magnetic isolation
Fault diagnosis	Yes
Internal Resistance	/
Resolution	16bit, 0.1°C/ resolution
Frequency interference suppression	10Hz   50Hz   60Hz   400Hz
Diagnosis	Disconnection, Parameter assignment error
Process alarm	Upper/Lower limit, per channel
Temperature coefficient	$\pm 0.5\%$
Measuring range	-270°C ~ 1370°C
Precision	$\pm 0.3\%$
Conversion time	125ms

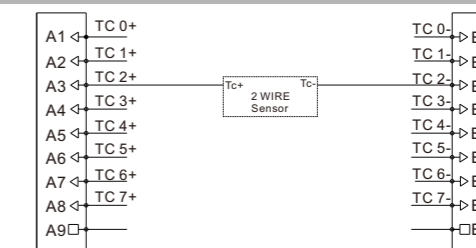
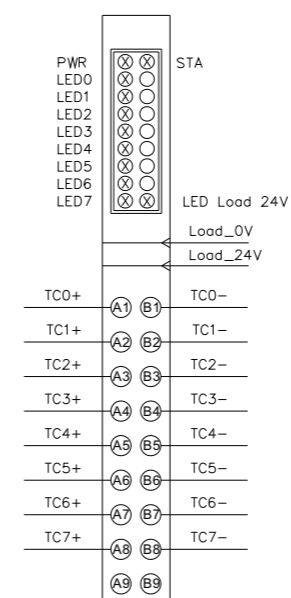
Product	DF50-M-8TC
Power Supply Parameters	
Connection type	PUSH-IN type terminal block
Working voltage	24V DC +20 %/ -15 %
System feed current	<100mA
Maximum area of wire	1.5mm <sup>2</sup>
Maximum area of wire (AWG)	AWG16
The minimum area of a wire	0.14mm <sup>2</sup>
The minimum area of a wire (AWG)	AWG26
Strip length	8...10mm

Mechanical Structure	
Protection grade	IP20
Size(H X W X D)	111mm X 12mm X 75mm
Installation type	35mm DIN

Work Environment	
Working temperature	-25...60°C
Storage temperature	-40...85°C
Relative humidity	5... 95%RH(non-condensing)

LED Status Indicator	
PW	Green: Internal bus power supply is normal
ST	Power on stage: green on: module initialization abnormal, green off: module initialization normal Operation phase: Green flashing: The internal bus of the module is working normally, green off: The internal bus of the module is working abnormally
LED	Green flashing: channel sampling is normal; Green off: signal is 0
LP	Green: Internal system power supply is normal

#### Wiring Diagram



#### PIN definition

Mark	Description	Mark	Description
A1	Thermocouple input 0+	B1	Thermocouple input 0-
A2	Thermocouple input 1+	B2	Thermocouple input 1-
A3	Thermocouple input 2+	B3	Thermocouple input 2-
A4	Thermocouple input 3+	B4	Thermocouple input 3-
A5	Thermocouple input 4+	B5	Thermocouple input 4-
A6	Thermocouple input 5+	B6	Thermocouple input 5-
A7	Thermocouple input 6+	B7	Thermocouple input 6-
A8	Thermocouple input 7+	B8	Voltage input 7-
A9	/	B9	/



## Pulse counting module



DF50-M-2CNT-PIL-24

24V Pulse counting module, 2 channel

## Specification

Product	DF50-M-2CNT-PIL-24
Maximum frequency count	1Mhz
Number of channels	2
Data size	20 Byte
Input signal type	Incremental encoder AB or pulse/direction signal
Input signal type	24V DC
Input connection type	2-line / 4-line
Filtering time	0.01 to 1 ms
Reverse protection	Yes
Isolation method	Isolate from the field layer optocoupler
Fault diagnosis	Yes, us response, error code can be queried by upper computer
Resolution	32 Bit
Precision	±1 pulse

## Power Supply Parameters

Connection type	PUSH-IN type terminal block
System feed current	<100mA
Maximum area of wire	1.5mm <sup>2</sup>
Maximum area of wire (AWG)	AWG16
The minimum area of a wire	0.14mm <sup>2</sup>
The minimum area of a wire (AWG)	AWG26
Strip length	8...10mm

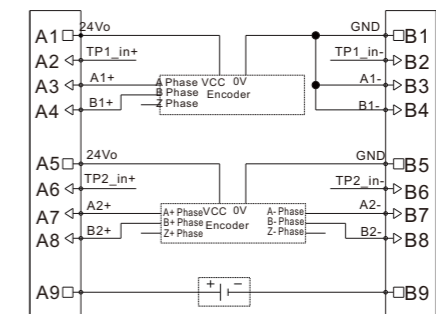
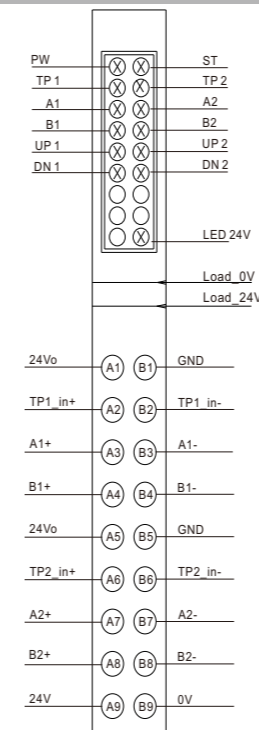
## Pulse counting module

Product	DF50-M-2CNT-PIL-24
Mechanical Structure	
Protection grade	IP20
Size(H X W X D)	111mm X 12mm X 75mm
Installation type	35mm DIN
Work Environment	
Working temperature	-25...60°C
Storage temperature	-40...85°C
Relative humidity	5... 95%RH(non-condensing)

## LED Status Indicator

PW	Green: Internal bus power supply is normal
ST	Power on stage: green on: module initialization abnormal, green off: module initialization normal
	Operation phase: Green flashing: The internal bus of the module is working normally, green off: The internal bus of the module is working abnormally
TP1/TP2	On: Input signal valid Off: Input signal invalid
A1/A2	On: Input signal valid Off: Input signal invalid
B1/B2	On: Input signal valid Off: Input signal invalid
UP1/UP2	On: Encoder forward rotation off: Encoder stationary or reverse rotation
DN1/DN2	On: Encoder reverse rotation off: Encoder stationary or forward rotation
LED 24V	On: Module external interface power supply is normal Off: Module external interface power supply is abnormal

## Wiring Diagram



## PIN definition

Mark	Description	Mark	Description
A1	24Vo	B1	GND
A2	TP1_in+ signal	B2	TP1_in- signal
A3	A1+ Phase	B3	A1- Phase
A4	B1+ Phase	B4	B1- Phase
A5	24Vo	B5	GND
A6	TP2_in+ signal	B6	TP2_in- signal
A7	A2+ Phase	B7	A2- Phase
A8	B2+ Phase	B8	B2- Phase
A9	Load_24V	B9	Load_0V



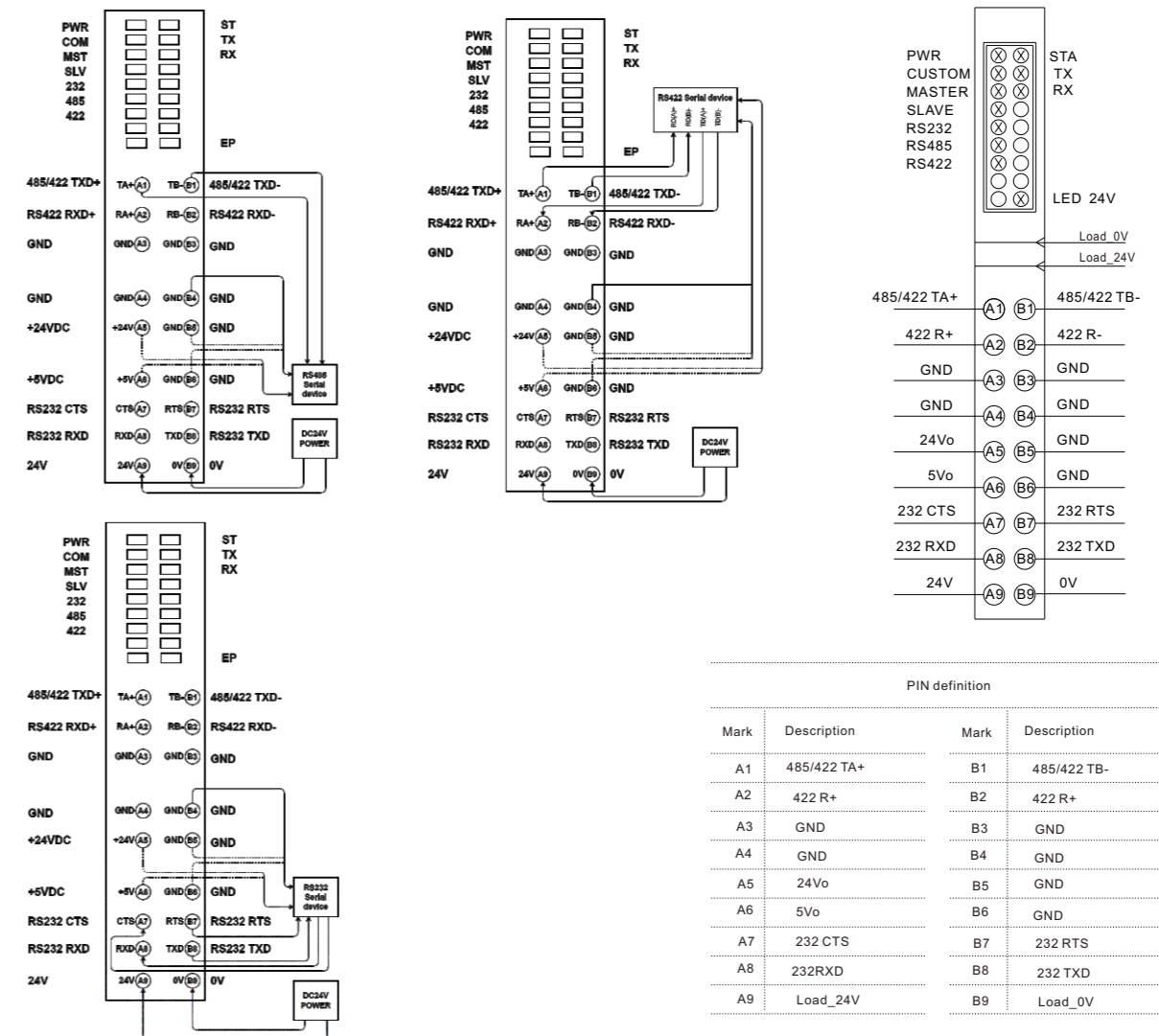
DF50-M-1COM-232/485/422

Serial communication module, 1 channel

Specification	
Product	DF50-M-1COM-232/485/422
Interface	RS232/RS485/RS422
Number of channels	1
Agreement	Modbus RTU Free protocol transparent mode
BAUD	1200bps - 256000bps
Data bits	7bit / 8bit
Check bit	None / Even / Odd
Stop bit	1bit / 2bit
Maximum data frame length	64byte
Termination resistor	Built in 120 Ω terminal resistor
Firmware upgrade function	Support
Power Supply Parameters	
Connection type	PUSH-IN type terminal block
System feed current	<100mA
Maximum area of wire	1.5mm <sup>2</sup>
Maximum area of wire (AWG)	AWG16
The minimum area of a wire	0.14mm <sup>2</sup>
The minimum area of a wire (AWG)	AWG26
Strip length	8...10mm
Mechanical Structure	
Protection grade	IP20
Size(H X W X D)	111mm X 12mm X 75mm
Installation type	35mm DIN
Work Environment	
Working temperature	-25...60°C
Storage temperature	-40...85°C
Relative humidity	5...95%RH(non-condensing)

Product	DF50-M-1COM-232/485/422
LED Status Indicator	
PW	Green: Internal bus power supply is normal
ST	Power on stage: green on: module initialization abnormal, green off: module initialization normal
	Operation phase: Green flashing: The internal bus of the module is working normally, green off: The internal bus of the module is working abnormally
COM	On: Input signal valid Off: Input signal invalid
MST	On: Input signal valid Off: Input signal invalid
SLV	On: Input signal valid Off: Input signal invalid
232	In 232 mode, on: connection normal off: connection abnormal
485	In 485 mode, on: connection normal off: connection abnormal
422	In 422 mode, on: connection normal off: connection abnormal
TS	Flashing: Normal communication transmission Off: Abnormal communication transmission
RX	Flashing: normal communication reception Off: abnormal communication reception
EP	On: External power supply normal Off: External power supply normal

## Wiring Diagram



## Voltage distribution module



DF50-M-DC-U-0

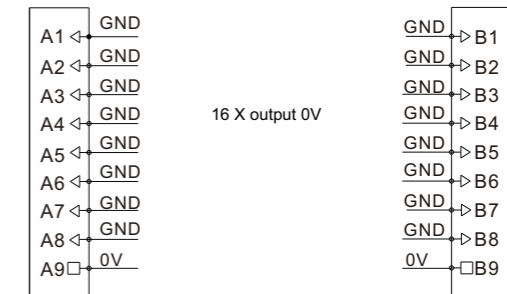
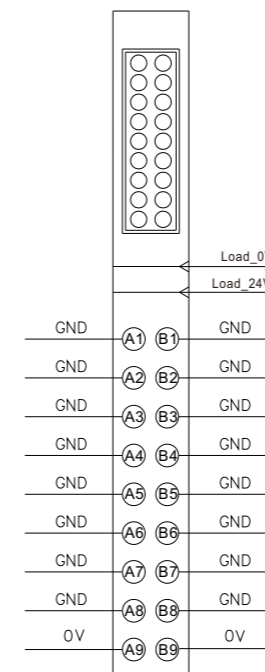
Voltage distribution module, 16 channel 0VDC

Specification	
Product	DF50-M-DC-U-0
Number of channels	16
Power Supply Parameters	
Connection type	PUSH-IN type terminal block
System feed current	<100mA
Maximum area of wire	1.5mm <sup>2</sup>
Maximum area of wire (AWG)	AWG16
The minimum area of a wire	0.14mm <sup>2</sup>
The minimum area of a wire (AWG)	AWG26
Strip length	8...10mm

## Voltage distribution module

Product	DF50-M-DC-U-0
Mechanical Structure	
Protection grade	IP20
Size(H X W X D)	111mm X 12mm X 75mm
Installation type	35mm DIN
Work Environment	
Working temperature	-25...60°C
Storage temperature	-40...85°C
Relative humidity	5...95%RH(non-condensing)

## Wiring Diagram



PIN definition			
Mark	Description	Mark	Description
A1	output 0V	B1	output 0V
A2	output 0V	B2	output 0V
A3	output 0V	B3	output 0V
A4	output 0V	B4	output 0V
A5	output 0V	B5	output 0V
A6	output 0V	B6	output 0V
A7	output 0V	B7	output 0V
A8	output 0V	B8	output 0V
A9	input 0V	B9	input 0V





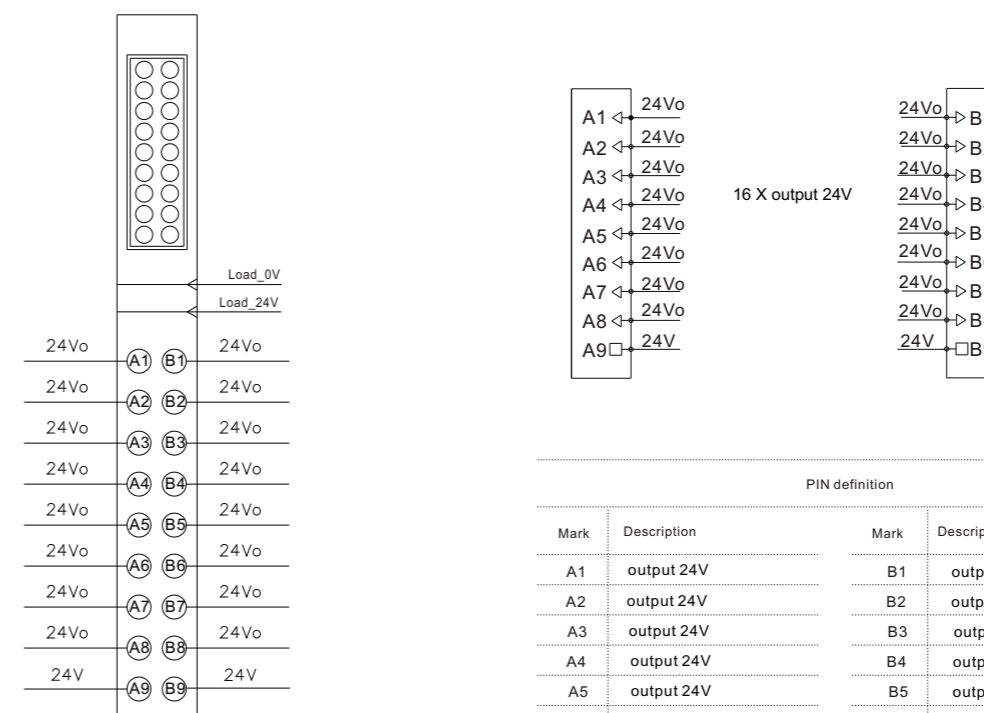
DF50-M-DC-U-24

Voltage distribution module, 16 channel 24VDC

Specification	
Product	DF50-M-DC-U-24
Number of channels	16
Power Supply Parameters	
Connection type	PUSH-IN type terminal block
System feed current	<100mA
Maximum area of wire	1.5mm <sup>2</sup>
Maximum area of wire (AWG)	AWG16
The minimum area of a wire	0.14mm <sup>2</sup>
The minimum area of a wire (AWG)	AWG26
Strip length	8...10mm

Product	DF50-M-DC-U-24
Mechanical Structure	
Protection grade	IP20
Size(H X W X D)	111mm X 12mm X 75mm
Installation type	35mm DIN
Work Environment	
Working temperature	-25...60°C
Storage temperature	-40...85°C
Relative humidity	5...95%RH(non-condensing)

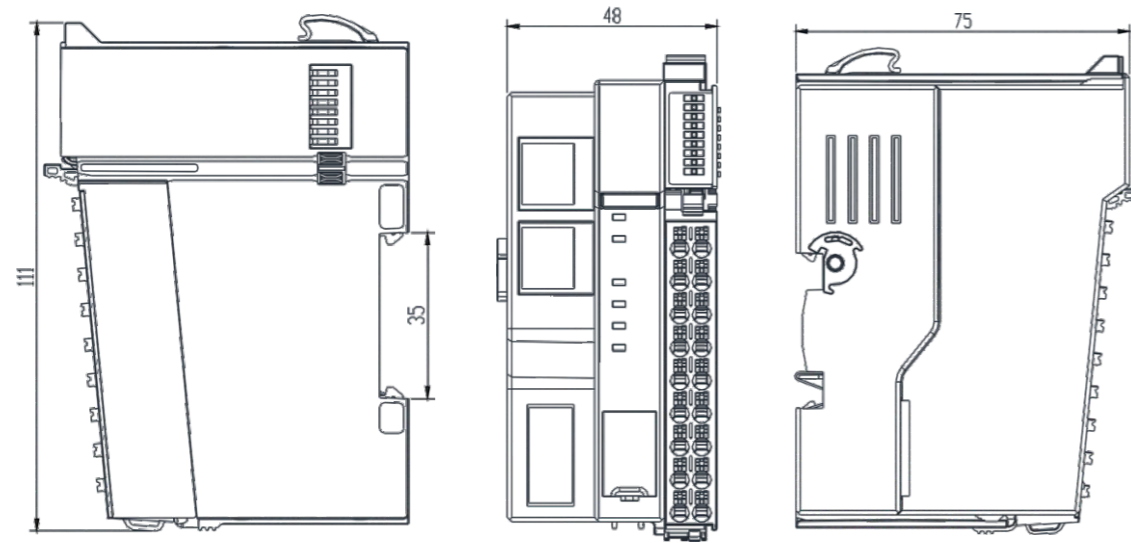
## Wiring Diagram



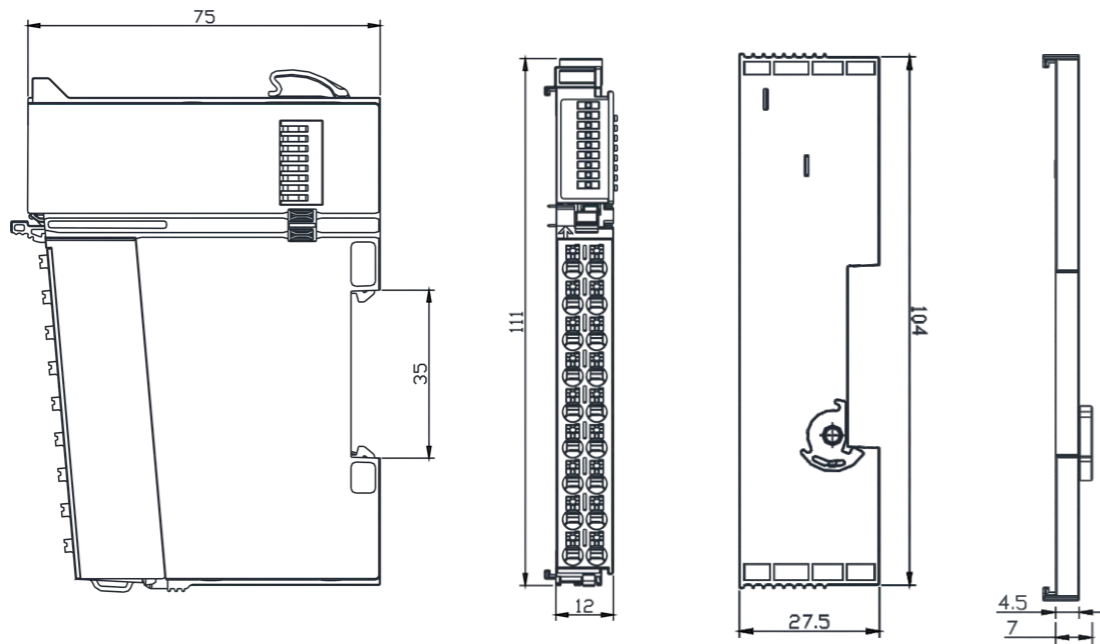
PIN definition			
Mark	Description	Mark	Description
A1	output 24V	B1	output 24V
A2	output 24V	B2	output 24V
A3	output 24V	B3	output 24V
A4	output 24V	B4	output 24V
A5	output 24V	B5	output 24V
A6	output 24V	B6	output 24V
A7	output 24V	B7	output 24V
A8	output 24V	B8	output 24V
A9	input 24V	B9	input 24V

DF50 series dimension

DF50 series bus coupler dimension



DF50 series I/O module & Terminal cover dimension



DF58 series I/O



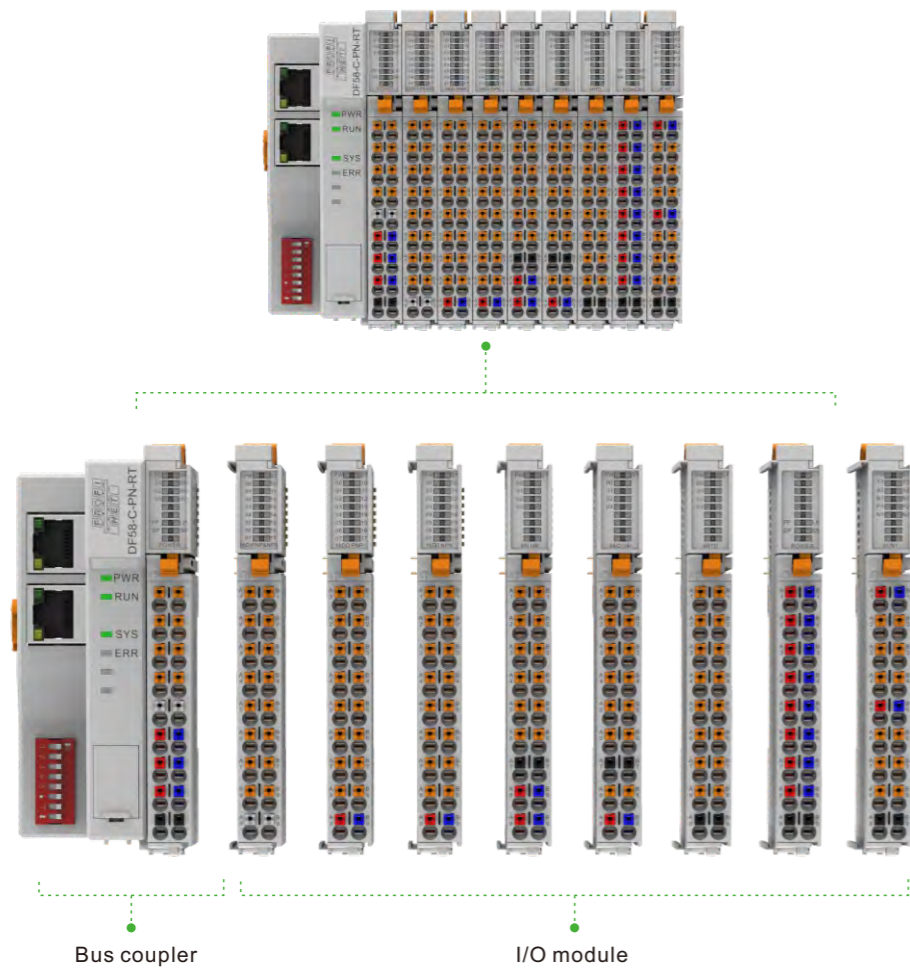
Small

Compact

Convenient

- The DF58 series I/O system adopts 100M backplane bus for high-speed response to requirements
- Comprehensively improve I/O performance and compatibility
- Tool free use, greatly improving convenience
- The bus coupler supports 32 modules, and only when there are more than 16 extension modules, an additional power module is required

## DF58 Series I/O Modules



Bus coupler

I/O module

**Bus coupler**

- The bus coupler comes with 8 digital inputs
- Supports multiple industrial Ethernet bus protocols
- 100M high-speed backplane bus, supporting up to 32 modules
- 16 modules do not require additional power modules; 17-32 modules require an additional power module

**Tool free**

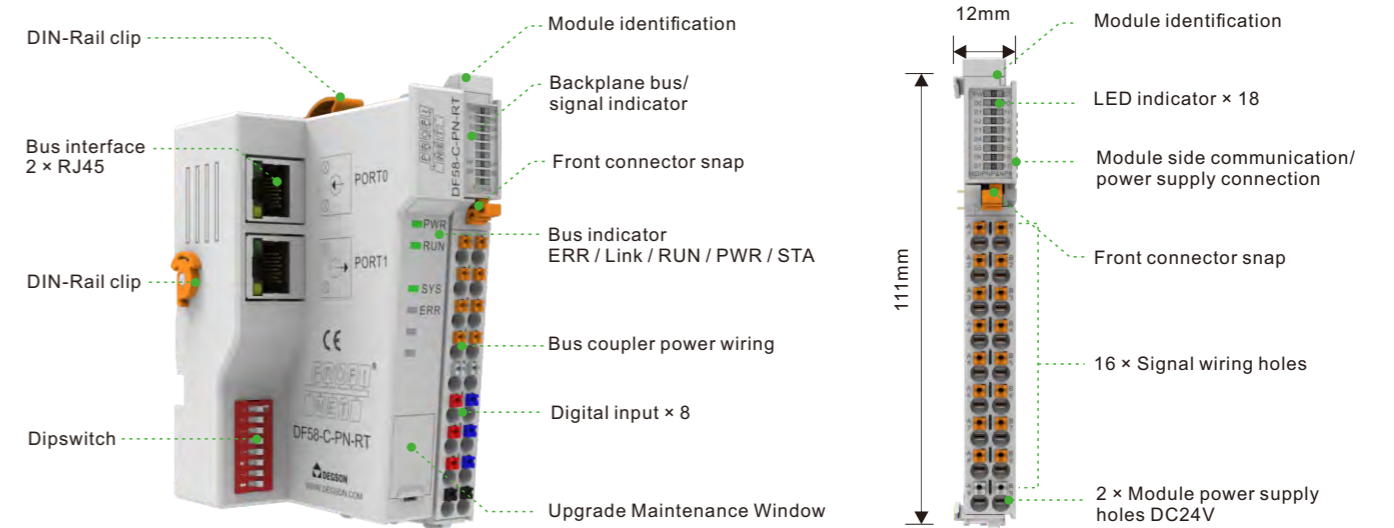
- No tools required for module installation and disassembly
- No tools required to install and remove front connectors
- No tools required for wiring and dismantling

**I/O module**

- Digital input compatible with both PNP and NPN signals
- The analog input/output module is compatible with current and voltage, supports multiple ranges and each channel can be independently selected, and supports 2, 3, and 4 wire connection methods

**Appearance**

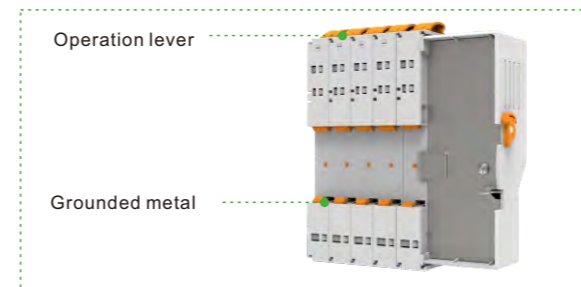
- 12mm ultra-thin volume, sharp blade shape
- The module has an identification system
- The module is grounded through the back metal connection DIN-rail
- Distinguish wiring holes with different functions by color



- PUSH-IN, no tools required for wire connection and disassembly



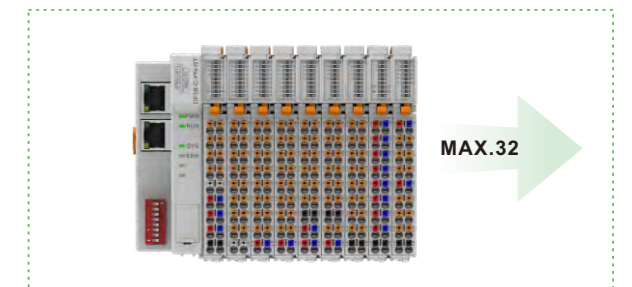
- Pluggable front connector



Operation lever

Grounded metal

- Tool free manual operation lever
- The module is grounded through the back metal connection DIN-rail



MAX.32

- Bus coupler can support up to 32 modules



- Module has identification
- The module indicator system contains information such as signals, power, faults ...



- Communication between modules through side connecting finger
- Module power supply is connected through side metal clips





DF58-C-PN-RT

PROFINET, 2 RJ45, extensible 32 modules, 24VDC

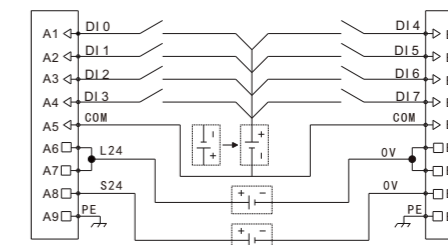
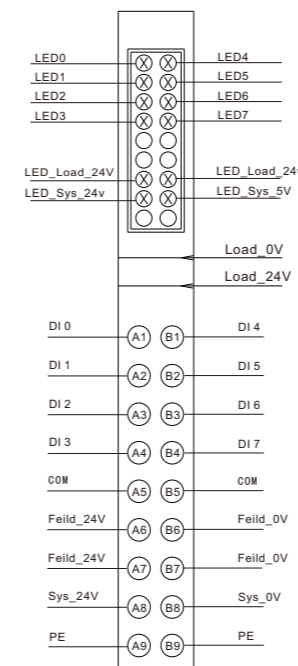
**Features**

- With a power module.
- LED display working status, alarm and bus fault prompt.
- Two PROFINET interface (RJ45, 10/100Mbps).
- With Media Redundancy Protocol.

Specification		Digital Inputs Specification	
Product	DF58-C-PN-RT	Number of channels	8
Communication protocol	PROFINET	Data size	1 Byte
Transmission rate	100Mbps, full duplex	Signal type	NPN & PNP
Transmission distance	100 meters	"0" signal voltage	<5V
PDO data	512 bytes	"1" signal voltage	>15V
Number of extensible modules	32	Connection type	1-line
Address mapping	Yes	Reverse protection	Yes
Address setting	PROFINET specification	Isolation method	Photoelectric isolation
Transmission medium	Class 5 twisted pair cable	Fault diagnosis	Yes
Isolation method	Electrical isolation	Typical input current	0.678mA
Features	RT, conforming to Class C, MRP, automatic addressing/topology detection	Fault diagnosis	4.07mA
		Typical input current	2.46mA
Alarm function	Diagnostic alarm, process alarm, plug and unplug connector alarm	Fault diagnosis	4.7mA
		Filtering time	No filtering, 0.25ms, 0.5ms, 1ms (factory setting), 2ms, 4ms, 8ms, 16ms, 32ms
Minimum cycle time	1ms	Hardware response time	100us

Power Supply Parameters			
Connection type	PUSH-IN type terminal block	The minimum area of a wire (AWG)	AWG26
Working voltage	24V DC +20 %/ -15 %	Strip length	8...10mm
Working current	0.35A ~ 6A	Supply system voltage	5VDC
Maximum area of wire	1.5mm <sup>2</sup>	Supply system current	Max.2A
Maximum area of wire (AWG)	AWG16	Supply load voltage	24V...36VDC
The minimum area of a wire	0.14mm <sup>2</sup>	Supply load current (MAX)	5A

Product	DF58-C-PN-RT
<b>Mechanical Structure</b>	
Protection grade	IP20
Size(H X W X D)	111mm X 48mm X 75mm
Installation type	35mm DIN
<b>Work Environment</b>	
Working temperature	-25...60°C
Storage temperature	-40...85°C
Relative humidity	5...95%RH(non-condensing)
<b>LED Status Indicator</b>	
PWR	Green: Power is working
RUN	Green: I/O system is running
SYS	Blinking green: The module is working
ERR	Red: An error occurred between I/O system and module
LED Sys 24v	Green:The system power is working(24V)
LED Load 24V	Green: The load power is working
LED Sys 5V	Green:The system power is working(5V)
<b>Wiring Diagram</b>	


**PIN definition**

Mark	Description	Mark	Description
A1	input 0	B1	input 4
A2	input 1	B2	input 5
A3	input 2	B3	input 6
A4	input 3	B4	input 7
A5	COM	B5	COM
A6	Feild_24V	B6	Feild_0V
A7	Feild_24V	B7	Feild_0V
A8	Sys_24V	B8	Sys_0V
A9	PE	B9	PE

COM is the common terminal of DI0~DI7, connected To 24V is NPN, and connected to 0V is PNP



DF58-C-EC

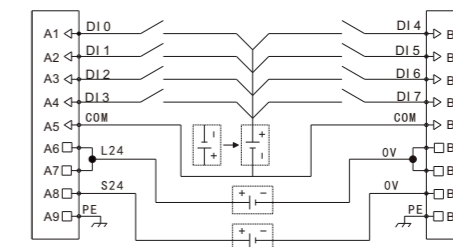
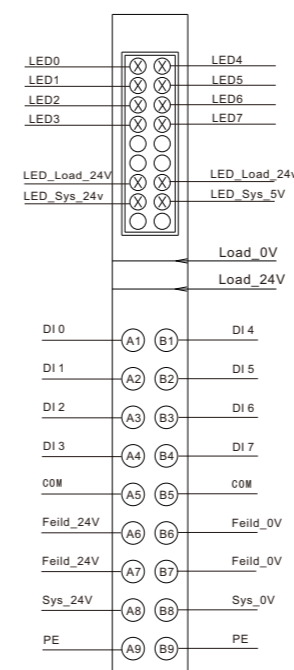
EtherCAT, 2 RJ45, extensible 32 modules, 24VDC

**Features**

- With a power module.
- LED display working status, alarm and bus fault prompt.
- Two EtherCAT interface (RJ45, 100Mbps).

Specification		Digital Inputs Specification	
Product	DF58-C-EC	Number of channels	8
Communication protocol	EtherCAT	Data size	1 Byte
Transmission rate	100Mbps, full duplex	Signal type	NPN & PNP
Transmission distance	100 meters	*0* signal voltage	<5V
PDO data	1024 bytes	*1* signal voltage	>15V
Number of extensible modules	32	Connection type	1-line
Address mapping	Yes	Reverse protection	Yes
Address setting	EtherCAT specification, DIP switch	Isolation method	Photoelectric isolation
Transmission medium	Class 5 twisted pair cable	Fault diagnosis	Yes
Isolation method	Electrical isolation	Typical input current	0.678mA
Alias range	1~254	Fault diagnosis	4.07mA
		Typical input current	2.46mA
Alarm function	Diagnostic alarm, process alarm, plug and unplug connector alarm	Fault diagnosis	4.7mA
		Filtering time	No filtering, 0.25ms, 0.5ms, 1ms (factory setting), 2ms, 4ms, 8ms, 16ms, 32ms
Connection type	2 X RJ45, with switch function	Hardware response time	100us
Power Supply Parameters			
Connection type	PUSH-IN type terminal block	The minimum area of a wire (AWG)	AWG26
Working voltage	24V DC +20 %/ -15 %	Strip length	8...10mm
Working current	0.35A ~ 6A	Supply system voltage	5VDC
Maximum area of wire	1.5mm <sup>2</sup>	Supply system current	Max.2A
Maximum area of wire (AWG)	AWG16	Supply load voltage	24V...36VDC
The minimum area of a wire	0.14mm <sup>2</sup>	Supply load current (MAX)	5A

Product	DF58-C-EC
Mechanical Structure	
Protection grade	IP20
Size(H X W X D)	111mm X 48mm X 75mm
Installation type	35mm DIN
Work Environment	
Working temperature	-25...60°C
Storage temperature	-40...85°C
Relative humidity	5...95%RH(non-condensing)
LED Status Indicator	
PWR	Green: Power is working
RUN	Green: I/O system is running
SYS	Blinking green: The module is working
ERR	Red: An error occurred between I/O system and module
LED Sys 24v	Green:The system power is working(24V)
LED Load 24V	Green: The load power is working
LED Sys 5V	Green:The system power is working(5V)
Wiring Diagram	



PIN definition

Mark	Description	Mark	Description
A1	input 0	B1	input 4
A2	input 1	B2	input 5
A3	input 2	B3	input 6
A4	input 3	B4	input 7
A5	COM	B5	COM
A6	Feild_24V	B6	Feild_0V
A7	Feild_24V	B7	Feild_0V
A8	Sys_24V	B8	Sys_0V
A9	PE	B9	PE

COM is the common terminal of DI0~DI7, connected To 24V is NPN, and connected to 0V is PNP

## CC-LINK IE Field Basic Bus coupler



DF58-C-CC-FB

CC-LINK IE Field Basic, 2 RJ45, extensible 32 modules, 24VDC

## Features

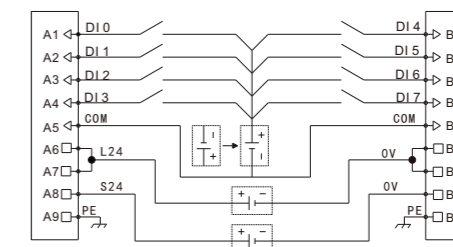
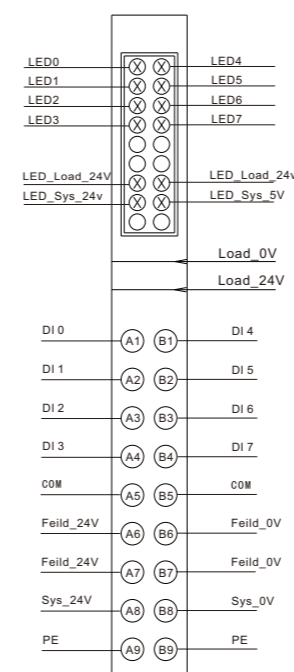
- With a power module.
- LED display working status, alarm and bus fault prompt.
- CC-LINK IE Field Basic interface (RJ45, 10/100Mbps).

Specification		Digital Inputs Specification	
Product	DF58-C-CC-FB	Number of channels	8
Communication protocol	CC-LINK IE Field Basic	Data size	1 Byte
Transmission rate	100Mbps, full duplex	Signal type	NPN & PNP
Transmission distance	100 meters	"0" signal voltage	<5V
PDO data	576 bytes	"1" signal voltage	>15V
Number of extensible modules	32	Connection type	1-line
Address mapping	Yes	Reverse protection	Yes
Address setting	CC-LINK IE Field Basic specification, DIP switch	Isolation method	Photoelectric isolation
Transmission medium	Class 5 twisted pair cable	Fault diagnosis	Yes
Isolation method	Electrical isolation	Typical input current	0.678mA
Address range	1~254	Fault diagnosis	4.07mA
		Typical input current	2.46mA
Alarm function	Diagnostic alarm, process alarm, plug and unplug connector alarm	Fault diagnosis	4.7mA
		Filtering time	No filtering, 0.25ms, 0.5ms, 1ms (factory setting), 2ms, 4ms, 8ms, 16ms, 32ms
Connection type	2 X RJ45, with switch function	Hardware response time	100us
Power Supply Parameters			
Connection type	PUSH-IN type terminal block	The minimum area of a wire (AWG)	AWG26
Working voltage	24V DC +20 %/ -15 %	Strip length	8...10mm
Working current	0.35A ~ 6A	Supply system voltage	5VDC
Maximum area of wire	1.5mm <sup>2</sup>	Supply system current	Max.2A
Maximum area of wire (AWG)	AWG16	Supply load voltage	24V...36VDC
The minimum area of a wire	0.14mm <sup>2</sup>	Supply load current (MAX)	5A

## CC-LINK IE Field Basic Bus coupler



Product	DF58-C-CC-FB
Mechanical Structure	
Protection grade	IP20
Size(H X W X D)	111mm X 48mm X 75mm
Installation type	35mm DIN
Work Environment	
Working temperature	-25...60°C
Storage temperature	-40...85°C
Relative humidity	5...95%RH(non-condensing)
LED Status Indicator	
PWR	Green: Power is working
RUN	Green: I/O system is running
SYS	Blinking green: The module is working
ERR	Red: An error occurred between I/O system and module
LED Sys 24v	Green:The system power is working(24V)
LED Load 24V	Green: The load power is working
LED Sys 5V	Green:The system power is working(5V)
Wiring Diagram	



## PIN definition

Mark	Description	Mark	Description
A1	input 0	B1	input 4
A2	input 1	B2	input 5
A3	input 2	B3	input 6
A4	input 3	B4	input 7
A5	COM	B5	COM
A6	Feild_24V	B6	Feild_0V
A7	Feild_24V	B7	Feild_0V
A8	Sys_24V	B8	Sys_0V
A9	PE	B9	PE

COM is the common terminal of DI0~DI7, connected To 24V is NPN, and connected to 0V is PNP





DF58-C-MD-TCP

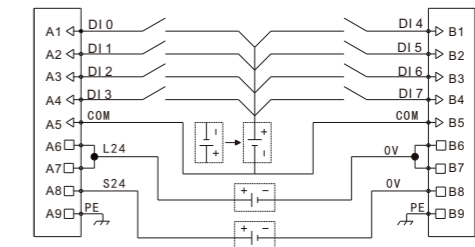
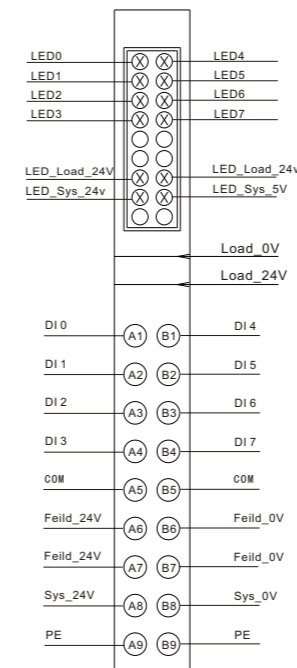
Modbus TCP/IP, 1 RJ45, extensible 16 modules, 24VDC

**Features**

- With a power module.
- LED display working status, alarm and bus fault prompt.
- Modbus TCP/IP interface (RJ45, 10/100Mbps)

Specification		Digital Inputs Specification	
Product	DF58-C-MD-TCP	Number of channels	8
Communication protocol	Modbus TCP/IP	Data size	1 Byte
Transmission rate	100Mbps, full duplex	Signal type	NPN & PNP
Transmission distance	100 meters	"0" signal voltage	<5V
PDO data	1024 bytes	"1" signal voltage	>15V
Number of extensible modules	32	Connection type	1-line
Address mapping	Yes	Reverse protection	Yes
Address setting	Modbus TCP/IP specification, DIP switch	Isolation method	Photoelectric isolation
Transmission medium	Class 5 twisted pair cable	Fault diagnosis	Yes
Isolation method	Electrical isolation	Typical input current	0.678mA
Address range	1~254	Fault diagnosis	4.07mA
		Typical input current	2.46mA
Alarm function	Diagnostic alarm, process alarm, plug and unplug connector alarm	Fault diagnosis	4.7mA
		Filtering time	No filtering, 0.25ms, 0.5ms, 1ms (factory setting), 2ms, 4ms, 8ms, 16ms, 32ms
Support Modbus function	02,03,05,06,15,16	Hardware response time	100us
Power Supply Parameters			
Connection type	PUSH-IN type terminal block	The minimum area of a wire (AWG)	AWG26
Working voltage	24V DC +20 %/ -15 %	Strip length	8...10mm
Working current	0.35A ~ 6A	Supply system voltage	5VDC
Maximum area of wire	1.5mm <sup>2</sup>	Supply system current	Max.2A
Maximum area of wire (AWG)	AWG16	Supply load voltage	24V...36VDC
The minimum area of a wire	0.14mm <sup>2</sup>	Supply load current (MAX)	5A

Product	DF58-C-MD-TCP
Mechanical Structure	
Protection grade	IP20
Size(H X W X D)	111mm X 48mm X 75mm
Installation type	35mm DIN
Work Environment	
Working temperature	-25...60°C
Storage temperature	-40...85°C
Relative humidity	5...95%RH(non-condensing)
LED Status Indicator	
PWR	Green: Power is working
RUN	Green: I/O system is running
SYS	Blinking green: The module is working
ERR	Red: An error occurred between I/O system and module
LED Sys 24v	Green:The system power is working(24V)
LED Load 24V	Green: The load power is working
LED Sys 5V	Green:The system power is working(5V)
Wiring Diagram	


**PIN definition**

Mark	Description	Mark	Description
A1	input 0	B1	input 4
A2	input 1	B2	input 5
A3	input 2	B3	input 6
A4	input 3	B4	input 7
A5	COM	B5	COM
A6	Feild_24V	B6	Feild_0V
A7	Feild_24V	B7	Feild_0V
A8	Sys_24V	B8	Sys_0V
A9	PE	B9	PE

COM is the common terminal of DI0~DI7, connected To 24V is NPN, and connected to 0V is PNP

## EtherNet/IP Bus coupler



DF58-C-EN-IP

EtherNet/IP, 2 RJ45, extensible 32 modules, 24VDC

**Features**

- With a power module.
- LED display working status, alarm and bus fault prompt.
- Two EtherNet/IP interface (RJ45, 10/100Mbps).

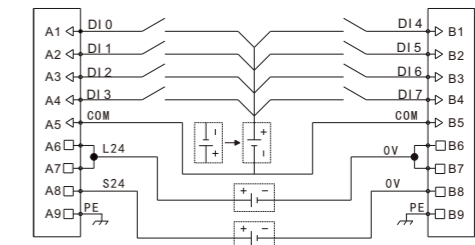
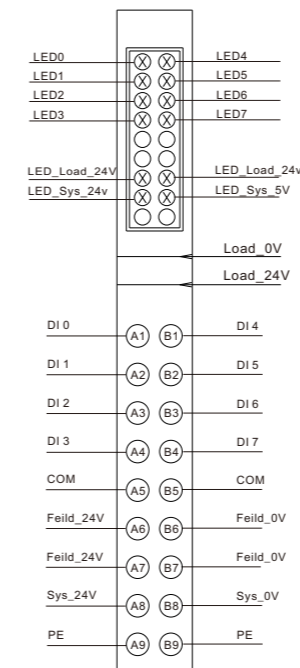
Specification		Digital Inputs Specification	
Product	DF58-C-EN-IP	Number of channels	8
Communication protocol	EtherNet/IP	Data size	1 Byte
Transmission rate	100Mbps, full duplex	Signal type	NPN & PNP
Transmission distance	100 meters	"0" signal voltage	<5V
PDO data	1024 bytes	"1" signal voltage	>15V
Number of extensible modules	32	Connection type	1-line
Address mapping	Yes	Reverse protection	Yes
Address setting	EtherNet/IP specification, DIP switch	Isolation method	Photoelectric isolation
Transmission medium	Class 5 twisted pair cable	Fault diagnosis	Yes
Isolation method	Electrical isolation	Typical input current	0.678mA
		Fault diagnosis	4.07mA
Minimum cycle time	1ms	Typical input current	2.46mA
		Fault diagnosis	4.7mA
Alarm function	Diagnostic alarm, process alarm, plug and unplug connector alarm	Filtering time	No filtering, 0.25ms, 0.5ms, 1ms (factory setting), 2ms, 4ms, 8ms, 16ms, 32ms
		Hardware response time	100us

Power Supply Parameters			
Connection type	PUSH-IN type terminal block	The minimum area of a wire (AWG)	AWG26
Working voltage	24V DC +20 %/ -15 %	Strip length	8...10mm
Working current	0.35A ~ 6A	Supply system voltage	5VDC
Maximum area of wire	1.5mm <sup>2</sup>	Supply system current	Max.2A
Maximum area of wire (AWG)	AWG16	Supply load voltage	24V...36VDC
The minimum area of a wire	0.14mm <sup>2</sup>	Supply load current (MAX)	5A

## EtherNet/IP Bus coupler



Product	DF58-C-EN-IP
<b>Mechanical Structure</b>	
Protection grade	IP20
Size(H X W X D)	111mm X 48mm X 75mm
Installation type	35mm DIN
<b>Work Environment</b>	
Working temperature	-25...60°C
Storage temperature	-40...85°C
Relative humidity	5...95%RH(non-condensing)
<b>LED Status Indicator</b>	
PWR	Green: Power is working
RUN	Green: I/O system is running
SYS	Blinking green: The module is working
ERR	Red: An error occurred between I/O system and module
LED Sys 24v	Green:The system power is working(24V)
LED Load 24V	Green: The load power is working
LED Sys 5V	Green:The system power is working(5V)
<b>Wiring Diagram</b>	


**PIN definition**

Mark	Description	Mark	Description
A1	input 0	B1	input 4
A2	input 1	B2	input 5
A3	input 2	B3	input 6
A4	input 3	B4	input 7
A5	COM	B5	COM
A6	Feild_24V	B6	Feild_0V
A7	Feild_24V	B7	Feild_0V
A8	Sys_24V	B8	Sys_0V
A9	PE	B9	PE

COM is the common terminal of DI0~DI7, connected To 24V is NPN, and connected to 0V is PNP



DF58-M-16DI-P/N

Digital input module, 16 ports, PNP/NPN, 24VDC

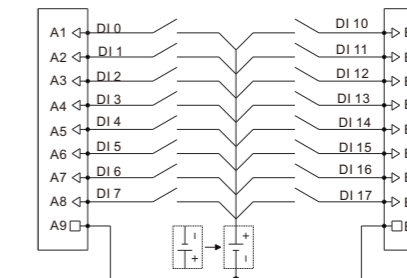
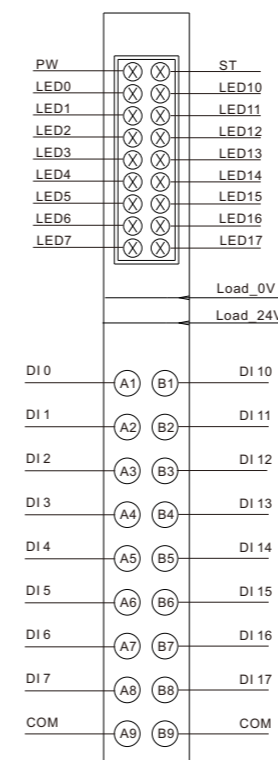
**Specification**

Product	DF58-M-16DI-P/N
Number of channels	16
Data size	2 Byte
Signal type	NPN & PNP
"0" signal voltage	<5V
"1" signal voltage	>15V
Connection type	1-line
Reverse protection	Yes
Isolation method	Photoelectric isolation
Fault diagnosis	Yes
Typical input current	0.678mA
Fault diagnosis	4.07mA
Typical input current	2.46mA
Fault diagnosis	4.7mA
Filtering time	No filtering, 0.25ms, 0.5ms, 1ms (factory setting), 2ms, 4ms, 8ms, 16ms, 32ms.
Hardware response time	100us

**Power Supply Parameters**

Connection type	PUSH-IN type terminal block
Working voltage	24V DC +20 % / -15 %
System feed current	<15mA
Maximum area of wire	1.5mm <sup>2</sup>
Maximum area of wire (AWG)	AWG16
The minimum area of a wire	0.14mm <sup>2</sup>
The minimum area of a wire (AWG)	AWG26
Strip length	8...10mm

Product	DF58-M-16DI-P/N
<b>Mechanical Structure</b>	
Protection grade	IP20
Size(H X W X D)	111mm X 12mm X 75mm
Installation type	35mm DIN
<b>Work Environment</b>	
Working temperature	-25...60°C
Storage temperature	-40...85°C
Relative humidity	5...95%RH(non-condensing)
<b>LED Status Indicator</b>	
PW	Green: Power is working
ST	Green: I/O system and modules working properly.
LED	On: input signal is valid

**Wiring Diagram**

**PIN definition**

Mark	Description	Mark	Description
A1	input 0	B1	input 10
A2	input 1	B2	input 11
A3	input 2	B3	input 12
A4	input 3	B4	input 13
A5	input 4	B5	input 14
A6	input 5	B6	input 15
A7	input 6	B7	input 16
A8	input 7	B8	input 17
A9	COM	B9	COM

COM is the common terminal of DI0~DI7, connected To 24V is NPN, and connected to 0V is PNP

## Digital output module



DF58-M-16DO-N

Digital output module, 16 ports, NPN, 24VDC



DF58-M-16DO-P

Digital output module, 16 ports, PNP, 24VDC

## Specification

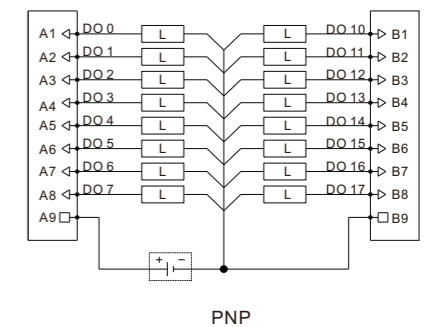
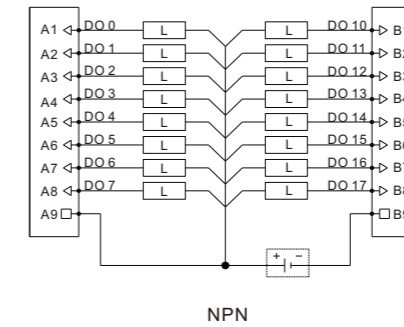
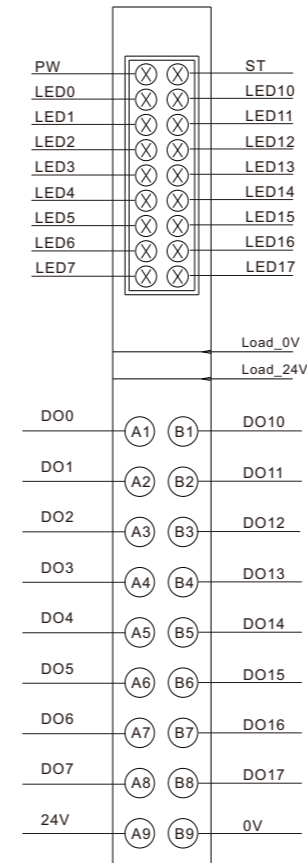
Product	DF58-M-16DO-N	DF58-M-16DO-P
Number of channels	16	
Data size	2 Byte	
Signal type	NPN	PNP
"0" signal voltage	high-impedance state	high-impedance state
"1" signal voltage	0V DC	24V DC
Connection type	1-line	
Reverse protection	Yes	
Isolation method	Photoelectric isolation	
Switching Frequency (resistance/lamp load)	<1000Hz	
Switching Frequency (Inductive load)	<0.2Hz	
Response Time of the Protection Circuit	< 100μs	
Output current per channel(MAX)	500 mA	
Load type	Inductance, resistance, lamp	

## Power Supply Parameters

Connection type	PUSH-IN type terminal block	
Working voltage	24V DC +20 % / -15 %	
System feed current	<75mA	
Maximum area of wire	1.5mm <sup>2</sup>	
Maximum area of wire (AWG)	AWG16	
The minimum area of a wire	0.14mm <sup>2</sup>	
The minimum area of a wire (AWG)	AWG26	
Strip length	8...10mm	

## Digital output module

Product	DF58-M-16DO-N	DF58-M-16DO-P
<b>Mechanical Structure</b>		
Protection grade	IP20	
Size(H X W X D)	111mm X 12mm X 75mm	
Installation type	35mm DIN	
<b>Work Environment</b>		
Working temperature	-25...60°C	
Storage temperature	-40...85°C	
Relative humidity	5...95%RH(non-condensing)	
<b>LED Status Indicator</b>		
PW	Green: Power is working	
ST	Green: I/O system and modules working properly.	
LED	On: input signal is valid	
<b>Wiring Diagram</b>		



## PIN definition

Mark	Description	Mark	Description
A1	output 0	B1	output 10
A2	output 1	B2	output 11
A3	output 2	B3	output 12
A4	output 3	B4	output 13
A5	output 4	B5	output 14
A6	output 5	B6	output 15
A7	output 6	B7	output 16
A8	output 7	B8	output 17
A9	24V	B9	0V





DF58-M-4AI-UI-6

Analog input module, 4 channels, voltage type, current type

**Specification**

Product	DF58-M-4AI-UI-6
Number of channels	4
Data size	8 Byte
Voltage test range	±10V, 0-10V, 2-10V, ±5V, 0-5V, 1-5V
Current test range	±20mA, 0-20mA, 4-20mA
Connection type	2/3/4-line
Reverse protection	Yes
Isolation method	Magnetic isolation
Fault diagnosis	Yes
Internal Resistance	>450KΩ
Resolution	16 Bit
Signal type	difference
Conversion digital quantity range configuration	Default configuration (- 27648 to 27648), support ± 32000
Precision	0.20%
Conversion time	400us/channel
Sampling rate	20-300Hz (Configuration)

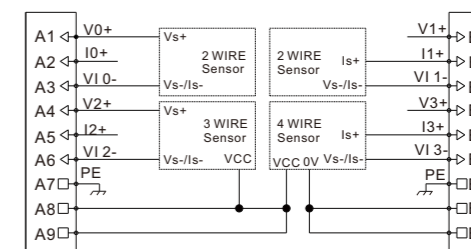
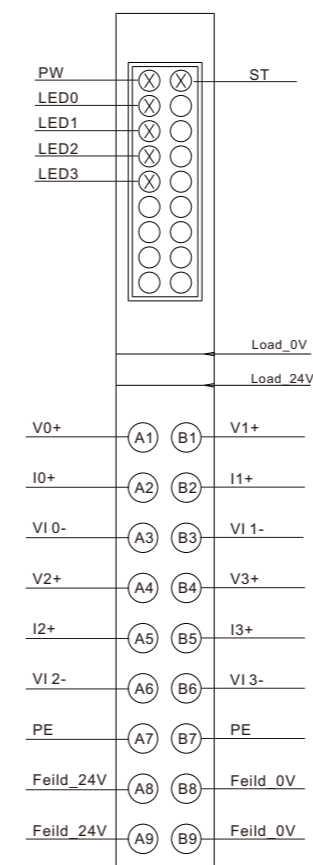
**Power Supply Parameters**

Connection type	PUSH-IN type terminal block
Working voltage	24V DC +20 % / -15 %
System feed current	<120mA
Maximum area of wire	1.5mm <sup>2</sup>
Maximum area of wire (AWG)	AWG16
The minimum area of a wire	0.14mm <sup>2</sup>
The minimum area of a wire (AWG)	AWG26
Strip length	8...10mm

Product	DF58-M-4AI-UI-6
<b>Mechanical Structure</b>	
Protection grade	IP20
Size(H X W X D)	111mm X 12mm X 75mm
Installation type	35mm DIN
<b>Work Environment</b>	
Working temperature	-25...60°C
Storage temperature	-40...85°C
Relative humidity	5...95%RH(non-condensing)

**LED Status Indicator**

LED0	Green: Signal on Channel 1.
LED1	Green: Signal on Channel 2.
LED2	Green: Signal on Channel 3.
LED3	Green: Signal on Channel 4.
PW	Green: Power is working.
ST	Green: I/O system and modules working properly.

**Wiring Diagram**

**PIN definition**

Mark	Description	Mark	Description
A1	Voltage input 0+	B1	Voltage input 1+
A2	Current input 0+	B2	Current input 1+
A3	Voltage/Current input 0-	B3	Voltage/Current input 1-
A4	Voltage input 2+	B4	Voltage input 3+
A5	Current input 2+	B5	Current input 3+
A6	Voltage/Current input 2-	B6	Voltage/Current input 3-
A7	PE	B7	PE
A8	Load_24V	B8	Load_0V
A9	Load_24V	B9	Load_0V

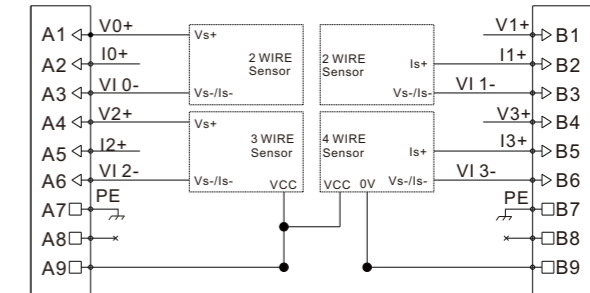
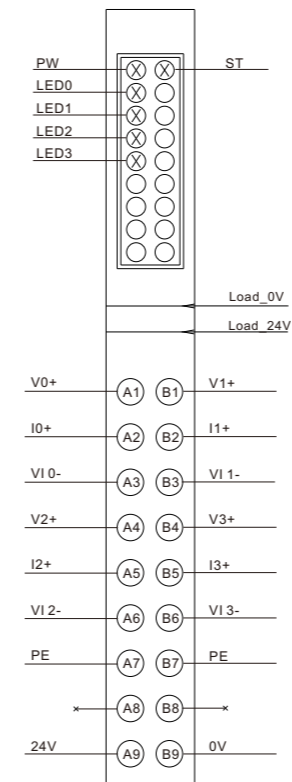


DF58-M-4AO-UI-6

Analog output module, 4 channels, voltage type, current type

Specification	
Product	DF58-M-4AO-Ui-6
Number of channels	4
Data size	8 Byte
Voltage output range	±10V, 0-10V, 2-10V, ±5V, 0-5V, 1-5V
Current output range	±20mA, 0-20mA, 4-20mA
Signal type	Differential signal
Connection type	2/3/4-line
Overcurrent protection	Yes
Isolation method	Magnetic isolation
Fault diagnosis	Yes
Resolution	16 Bit
Precision	0.10%
Load type	Sensibility, resistance, tolerance
Conversion digital quantity range configuration	Default configuration (- 27684 to 27684), support ± 32000
Conversiontime	150us/channel
Power Supply Parameters	
Connection type	PUSH-IN type terminal block
Working voltage	24V DC +20 %/ -15 %
System feed current	<110mA
Maximum area of wire	1.5mm <sup>2</sup>
Maximum area of wire (AWG)	AWG16
The minimum area of a wire	0.14mm <sup>2</sup>
The minimum area of a wire (AWG)	AWG26
Strip length	8...10mm

Product	DF58-M-4AO-UI-6
Mechanical Structure	
Protection grade	IP20
Size(H X W X D)	111mm X 12mm X 75mm
Installation type	35mm DIN
Work Environment	
Working temperature	-25...60°C
Storage temperature	-40...85°C
Relative humidity	5... 95%RH(non-condensing)
LED Status Indicator	
PW	Green : Power is working
ST	Green blinks : I/O system and modules working properly
LED	Green: Signal on Channel 2.
Wiring Diagram	



## PIN definition

Mark	Description	Mark	Description
A1	Voltage output 0+	B1	Voltage output 1+
A2	Current output 0+	B2	Current output 1+
A3	Voltage/Current output 0-	B3	Voltage/Current output 1-
A4	Voltage output 2+	B4	Voltage output 3+
A5	Current output 2+	B5	Current output 3+
A6	Voltage/Current output 2-	B6	Voltage/Current output 3-
A7	PE	B7	PE
A8	/	B8	/
A9	Internal load_24V	B9	Internal load_0V



DF58-M-4RTD-PT

 Thermal Resistance (RTD) measurement module,  
16 bit resolution, 4 channels

Specification	
Product	DF58-M-4RTD-PT
Number of channels	4
Data size	8 Byte
Signal type	Thermal resistance
Signal type	Pt100, Pt200, Pt500, Pt1000, Ni100, Ni120, Ni 200, Ni500, Ni1000, Cu10, 40 Ω, 80 Ω, 150 Ω, 300 Ω, 500 Ω, 1 kΩ, 2 kΩ, 4 kΩ
Connection type	2/3/4-line
Reverse protection	Yes
Isolation method	Magnetic isolation between each channel and the field layer, and isolation between channels
Fault diagnosis	Yes
Resolution	16bit, 0.1°C/ each number
Frequency interference suppression	10Hz   50Hz   60Hz   400Hz
Diagnosis	Disconnection, Parameter assignment error
Process alarm	Upper/Lower limit, per channel
Temperature coefficient	±50ppm/K max.
Internal resistance	>500Ω
Precision	*max. 0.2 % FSR / 0.3 % FSR for Ni sensors / 0.6 % FSR for Cu10
Conversion time	100ms/4 channels

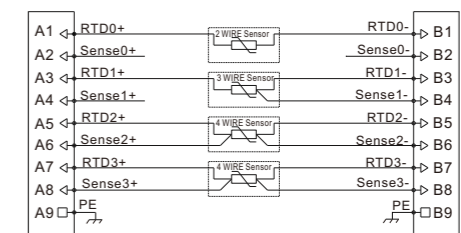
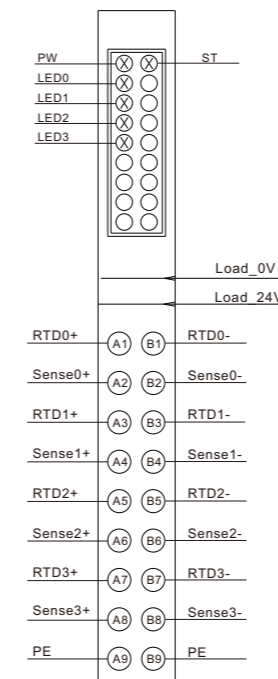
Product	DF58-M-4RTD-PT
Power Supply Parameters	
Connection type	PUSH-IN type terminal block
Working voltage	24V DC +20 %/ -15 %
System feed current	<100mA
Maximum area of wire	1.5mm <sup>2</sup>
Maximum area of wire (AWG)	AWG16
The minimum area of a wire	0.14mm <sup>2</sup>
The minimum area of a wire (AWG)	AWG26
Strip length	8...10mm

Mechanical Structure	
Protection grade	IP20
Size(H X W X D)	111mm X 12mm X 75mm
Installation type	35mm DIN

Work Environment	
Working temperature	-25...60°C
Storage temperature	-40...85°C
Relative humidity	5...95%RH(non-condensing)

LED Status Indicator	
PW	Green : Power is working
ST	Green blinks : I/O system and modules working properly
LED	On: input signal is valid

### Wiring Diagram



### PIN definition

Mark	Description	Mark	Description
A1	RTD0+	B1	RTD0-
A2	Sense0+	B2	Sense0-
A3	RTD1+	B3	RTD1-
A4	Sense1+	B4	Sense1-
A5	RTD2+	B5	RTD2-
A6	Sense2+	B6	Sense2-
A7	RTD3+	B7	RTD3-
A8	Sense3+	B8	Sense3-
A9	PE	B9	PE

## Pulse counting module



DF58-M-2CNT-PIL-24

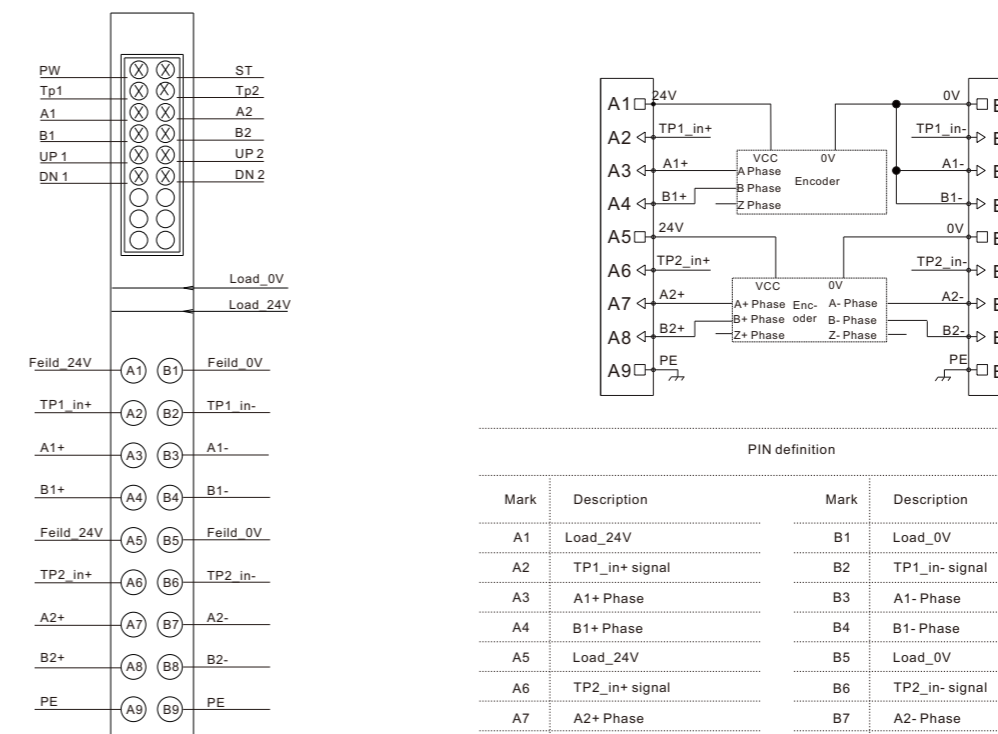
24V Pulse counting module, 2 port, 24V

Specification	
Product	DF58-M-2CNT-PIL-24
Maximum frequency count	1Mhz
Number of channels	2
Data size	20 Byte
Input signal type	Incremental encoder AB or pulse/direction signal
Input signal type	24V DC
Input connection type	2-Line / 4-Line
Filtering time	0.01 to 1 ms
Reverse protection	Yes
Isolation method	Isolate from the field layer optocoupler
Fault diagnosis	Yes, us response, error code can be queried by upper computer
Resolution	32 Bit
Precision	± 1 pulse
Power Supply Parameters	
Connection type	PUSH-IN type terminal block
System feed current	<100mA
Maximum area of wire	1.5mm <sup>2</sup>
Maximum area of wire (AWG)	AWG16
The minimum area of a wire	0.14mm <sup>2</sup>
The minimum area of a wire (AWG)	AWG26
Strip length	8...10mm

## Pulse counting module

Product	DF58-M-2CNT-PIL-24
Mechanical Structure	
Protection grade	IP20
Size(H X W X D)	111mm X 12mm X 66.8mm
Installation type	35mm DIN
Work Environment	
Working temperature	-25...60°C
Storage temperature	-40...85°C
Relative humidity	5... 95%RH(non-condensing)
LED Status Indicator	
PW	Green : Power is working
ST	Green blinks : I/O system and modules working properly
TP	The signal is effective on and invalid off
A	On: A encoder input signal is valid
B	On: B encoder input signal is valid
UP	On: A encoder rotates in forward direction, off: encoder is stationary or rotates in reverse direction
DN	On: B encoder rotates in forward direction, off: encoder is stationary or rotates in reverse direction

## Wiring Diagram



NPN, TP1\_in+ — Load\_24V, TP1\_in- — Signal  
 PNP, TP1\_in+ — Signal, TP1\_in- — Load\_0V

## PIN definition

Mark	Description	Mark	Description
A1	Load_24V	B1	Load_0V
A2	TP1_in+ signal	B2	TP1_in- signal
A3	A1+ Phase	B3	A1- Phase
A4	B1+ Phase	B4	B1- Phase
A5	Load_24V	B5	Load_0V
A6	TP2_in+ signal	B6	TP2_in- signal
A7	A2+ Phase	B7	A2- Phase
A8	B2+ Phase	B8	B2- Phase
A9	PE	B9	PE



## System power supply module



DF58-M-DC-U-5

System power supply module, 24VDC to 5VDC

## Specification

Product	DF58-M-DC-U-5
Number of channels	1
Isolation method	System power supply to site power supply: isolation module

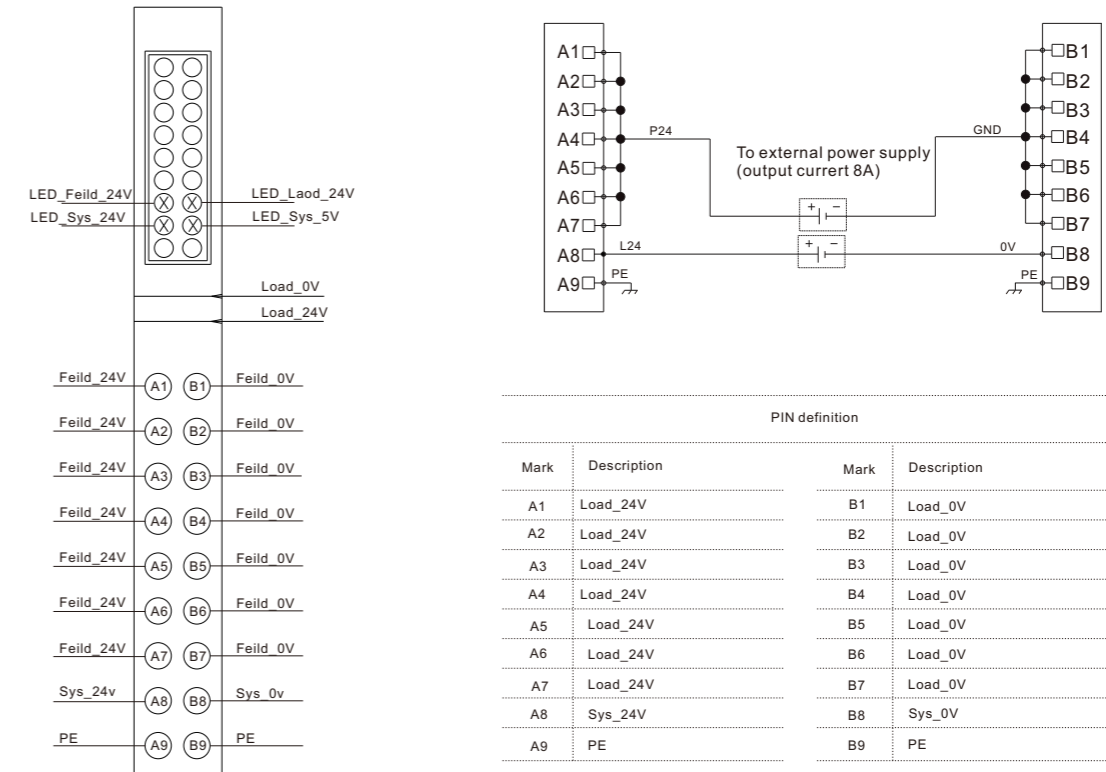
## Power Supply Parameters

Connection type	PUSH-IN type terminal block
Working voltage	24V DC +20 %/ -15 %
Reverse power protection	YES
Supply system voltage	5VDC
Supply system current	Max.2A@5V
Supply load voltage	24V DC +20 %/ -15 %
Supply load current (MAX)	10A
Maximum area of wire	1.5mm <sup>2</sup>
Maximum area of wire (AWG)	AWG16
The minimum area of a wire	0.14mm <sup>2</sup>
The minimum area of a wire (AWG)	AWG26
Strip length	8...10mm

## System power supply module

Product	DF58-M-DC-U-5
<b>Mechanical Structure</b>	
Protection grade	IP20
Size(H X W X D)	111mm X 12mm X 75mm
Installation type	35mm DIN
<b>Work Environment</b>	
Working temperature	-25...60°C
Storage temperature	-40...85°C
Relative humidity	5... 95%RH(non-condensing)
<b>LED Status Indicator</b>	
LED Sys 24v	Green:The system power is working(24V)
LED Load 24V	Green: The load power is working
LED Sys 5v	Green:The system power is working(5V)

## Wiring Diagram





DF58-M-4TC

 Thermocouple (TC) measurement module,  
16 bit resolution, 4 channels

Specification	
Product	DF58-M-4TC
Number of channels	4
Data size	8 Byte
Signal type	Thermal resistance
Signal type	E(-200 ~ 1000°C) S(-50 ~ 1,768°C) J(-210 ~ 1,200°C)T(-200 ~ 400°C) K(-200 ~ 1,372°C) B(-50 ~ 1,820°C), N(-200 ~ 1300°C) C(0 ~ 2,315°C) R(-50 ~ 1,768°C)L(-200 ~ 900°C) U(-200 ~ 600°C)
Connection type	2/3/4-line
Reverse protection	Yes
Isolation method	Magnetic isolation between each channel and the field layer, and isolation between channels
Fault diagnosis	Yes
Resolution	16bit, 0.1°C/ each number
Frequency interference suppression	10Hz   50Hz   60Hz   400Hz
Diagnosis	Disconnection, Parameter assignment error
Process alarm	Upper/Lower limit, per channel
Temperature coefficient	≤50ppm/K .
Internal resistance	>500Ω
Precision	*max. 0.2 % FSR / 0.3 % FSR for Ni sensors / 0.6 % FSR for Cu10
Conversion time	36... 240ms, adjustable

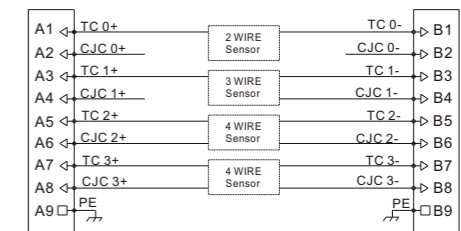
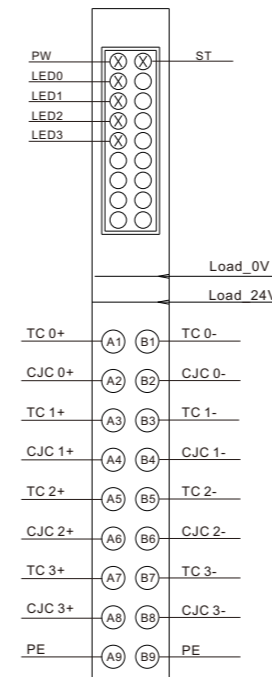
Product	DF58-M-4TC
Power Supply Parameters	
Connection type	PUSH-IN type terminal block
Working voltage	24V DC +20 %/ -15 %
System feed current	<100mA
Maximum area of wire	1.5mm <sup>2</sup>
Maximum area of wire (AWG)	AWG16
The minimum area of a wire	0.14mm <sup>2</sup>
The minimum area of a wire (AWG)	AWG26
Strip length	8...10mm

Mechanical Structure	
Protection grade	IP20
Size(H X W X D)	111mm X 12mm X 75mm
Installation type	35mm DIN

Work Environment	
Working temperature	-25...60°C
Storage temperature	-40...85°C
Relative humidity	5... 95%RH(non-condensing)

LED Status Indicator	
PW	Green : Power is working
ST	Green blinks : I/O system and modules working properly
LED	On: input signal is valid

## Wiring Diagram



## PIN definition

Mark	Description	Mark	Description
A1	TC 0+	B1	TC 0-
A2	CJC 0+	B2	CJC 0-
A3	TC 1+	B3	TC 1-
A4	CJC 1+	B4	CJC 1-
A5	TC 2+	B5	TC 2-
A6	CJC 2+	B6	CJC 2-
A7	TC 3+	B7	TC 3-
A8	CJC 3+	B8	CJC 3-
A9	PE	B9	PE



DF58-M-8TC

 Thermocouple (TC) measurement module,  
16 bit resolution, 8 channels

Specification	
Product	DF58-M-8TC
Number of channels	4
Data size	16 Byte
Signal type	Thermal resistance
Signal type	E(-200 ~ 1000°C) S(-50 ~ 1,768°C) J(-210 ~ 1,200°C)T(-200 ~ 400°C) K(-200 ~ 1,372°C) B(-50 ~ 1,820°C) N(-200 ~ 1300°C) C(0 ~ 2,315°C) R(-50 ~ 1,768°C)L(-200 ~ 900°C) U(-200 ~ 600°C)
Connection type	2-line
Reverse protection	Yes
Isolation method	Magnetic isolation between each channel and the field layer, and isolation between channels
Fault diagnosis	Yes
Resolution	16bit, 0.1°C/ each number
Frequency interference suppression	10Hz   50Hz   60Hz   400Hz
Diagnosis	Disconnection, Parameter assignment error
Process alarm	Upper/Lower limit, per channel
Temperature coefficient	≤50ppm/K
Internal resistance	>500Ω
Precision	*max. 0.2 % FSR / 0.3 % FSR for Ni sensors / 0.6 % FSR for Cu10
Conversion time	36... 240ms, adjustable

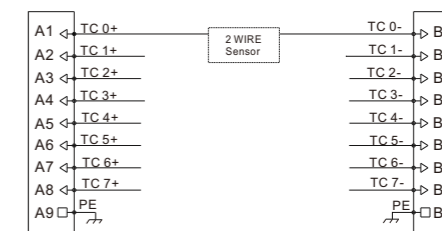
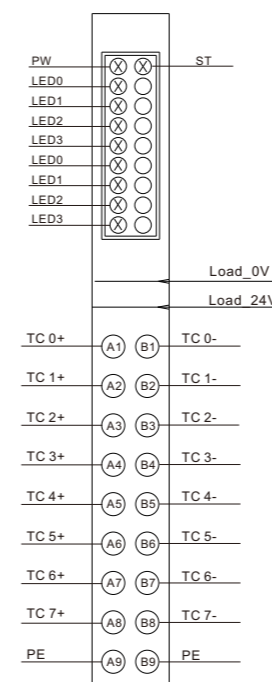
Product	DF58-M-8TC
Power Supply Parameters	
Connection type	PUSH-IN type terminal block
Working voltage	24V DC +20 %/ -15 %
System feed current	<100mA
Maximum area of wire	1.5mm <sup>2</sup>
Maximum area of wire (AWG)	AWG16
The minimum area of a wire	0.14mm <sup>2</sup>
The minimum area of a wire (AWG)	AWG26
Strip length	8...10mm

Mechanical Structure	
Protection grade	IP20
Size(H X W X D)	111mm X 12mm X 75mm
Installation type	35mm DIN

Work Environment	
Working temperature	-25...60°C
Storage temperature	-40...85°C
Relative humidity	5... 95%RH(non-condensing)

LED Status Indicator	
PW	Green : Power is working
ST	Green blinks : I/O system and modules working properly
LED	On: input signal is valid

## Wiring Diagram

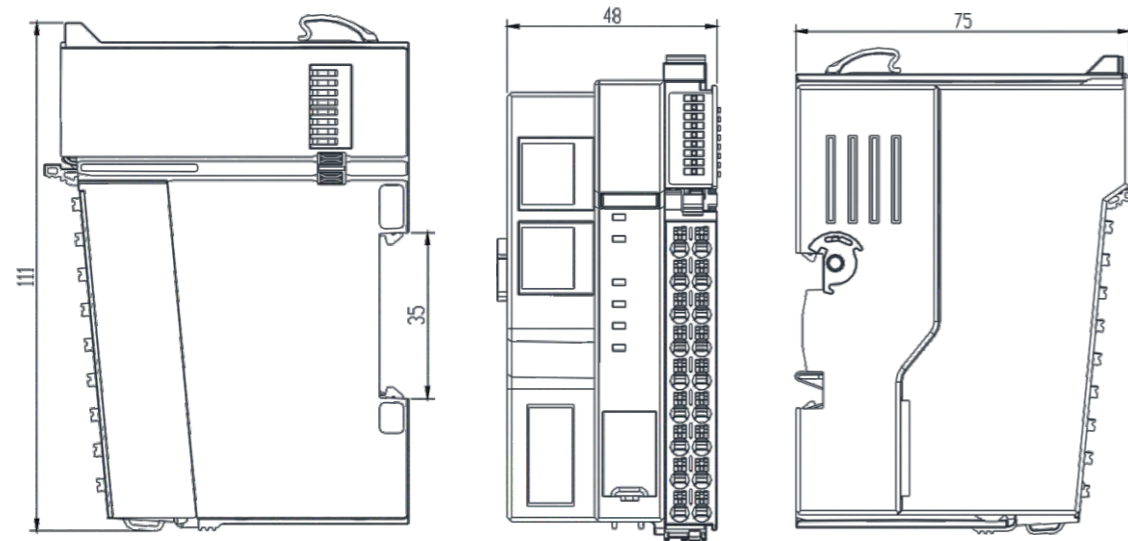


## PIN definition

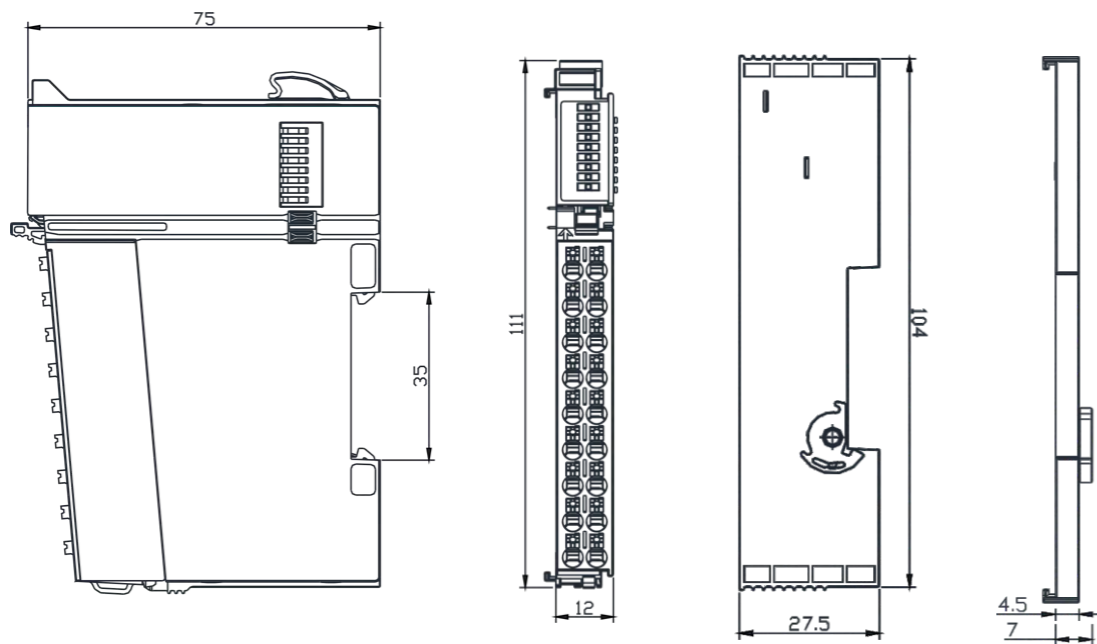
Mark	Description	Mark	Description
A1	TC 0+	B1	TC 0-
A2	TC 1+	B2	TC 1-
A3	TC 2+	B3	TC 2-
A4	TC 3+	B4	TC 3-
A5	TC 4+	B5	TC 4-
A6	TC 5+	B6	TC 5-
A7	TC 6+	B7	TC 6-
A8	TC 7+	B8	TC 7-
A9	PE	B9	PE

## DF58 series dimension

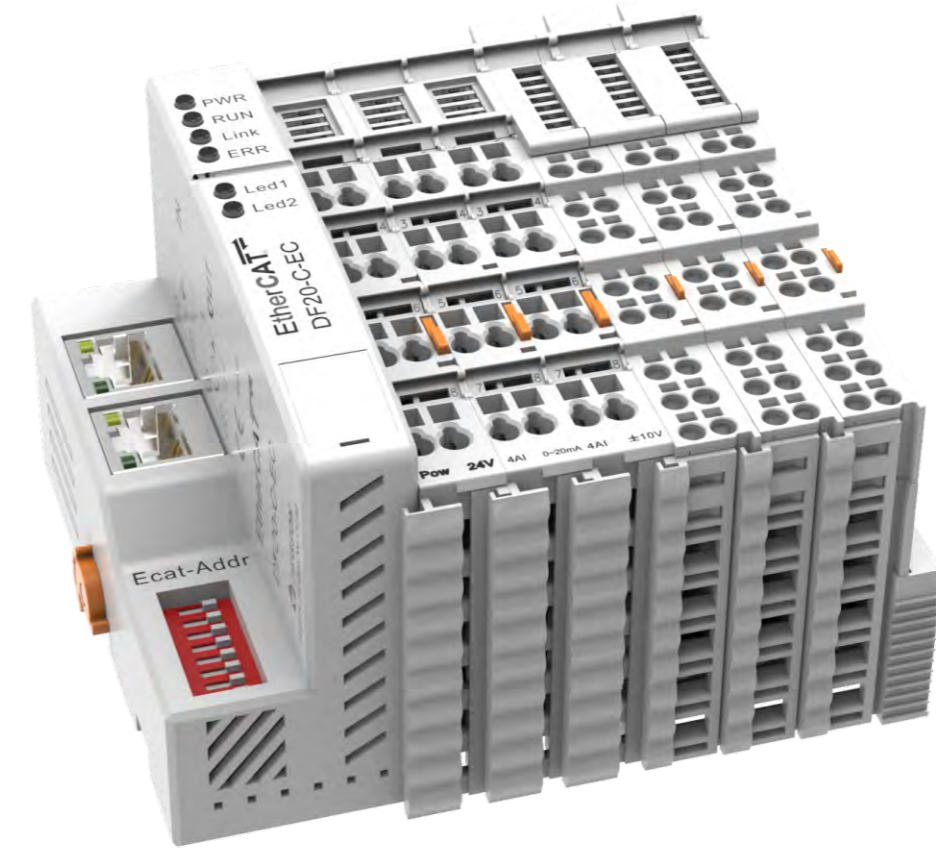
DF58 series bus coupler dimension



DF58 series I/O module &amp; Terminal cover dimension



## DF20 series I/O



- The DF20 series I/O system is the first generation I/O product
- Long term stable and reliable on-site application performance
- Pull back spring wiring, high vibration resistance
- The bus coupler supports 32 modules, all modules are powered from the side, and power modules are configured as needed



## PROFINET Bus coupler



DF20-C-PN-RT-V10

PROFINET, 2 RJ45, extensible 32 modules, 24VDC

## Features

- With a power module.
- LED display working status, alarm and bus fault prompt.
- Two PROFINET interface (RJ45, 10/100Mbps).
- With Media Redundancy Protocol.

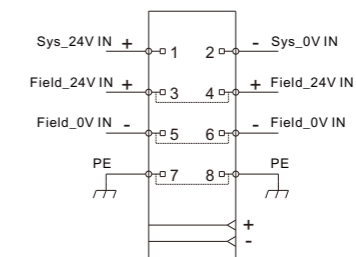
Specification	
Product	DF20-C-PN-RT-V10
Communication protocol	PROFINET
Transmission rate	10/100Mbps, full duplex
Transmission distance	100 meters
PDO data	1024 bytes
Number of extensible modules	32
Address mapping	Yes
Address setting	PROFINET specification
Transmission medium	Class 5 twisted pair cable
Isolation method	Electrical isolation
Features	RT, conforming to Class C, MRP, automatic addressing/topology detection
Alarm function	Diagnostic alarm, process alarm, plug and unplug connector alarm
Minimum cycle time	1ms
Power Supply Parameters	
Connection type	Spring terminal blocks
Working voltage	24V DC +20 % / -15 %
Current without load	<350mA
Maximum area of wire	2.5mm <sup>2</sup>
Maximum area of wire (AWG)	AWG14
The minimum area of a wire	0.2mm <sup>2</sup>
The minimum area of a wire (AWG)	AWG28
Strip length	8...9mm
Supply system voltage	5VDC
Supply system current	Max.0.4A
Supply load voltage	24V...32VDC
Supply load current (MAX)	5A

## PROFINET Bus coupler



Product	DF20-C-PN-RT-V10
Mechanical Structure	
Protection grade	IP20
Size(H X W X D)	100mm X 48mm X 69mm
Installation type	35mm DIN
Work Environment	
Working temperature	-25...60°C
Storage temperature	-40...85°C
Relative humidity	5... 95%RH(non-condensing)
LED Status Indicator	
PWR	Green: Power is working
RUN	Green: I/O system is running
LINK	Blinking green: The module is working
ERR	Red: An error occurred between I/O system and module
LED1	Green : PORT 1 connected successfully.
	Green blinking : Port 1 has data communication.
LED2	Green : PORT 2 connected successfully.
	Green blinking : Port 2 has data communication.
POWER-1, POWER-2	Green:The system power is working
POWER-7, POWER-8	Green: The load power is working
Support Module Types	
Digital module	DF20-M-8DI-N,DF20-M-8DI-P,DF20-M-16DI-N,DF20-M-16DI-P,DF20-M-32DI-N,DF20-M-32DI-P,DF20-M-8DO-N,DF20-M-8DO-P,DF20-M-16DO-N,DF20-M-16DO-P,DF20-M-32DO-N,DF20-M-32DO-P,DF20-M-8DIO-N,DF20-M-8DIO-P
Analog module	DF20-M-4AI-U-0,DF20-M-4AI-U-1,DF20-M-4AI-U-4,DF20-M-4AI-I-2,DF20-M-4AI-I-3,DF20-M-4AI-I-5,DF20-M-8AI-U-4,DF20-M-8AI-I-5,DF20-M-4AO-U-0,DF20-M-4AO-U-1,DF20-M-4AO-U-4,DF20-M-4AO-I-2,DF20-M-4AO-I-3,DF20-M-4AO-I-5,DF20-M-8AO-U-4,DF20-M-8AO-I-5
Functional module	DF20-M-2RTD-PT,DF20-M-4RTD-PT,DF20-M-4TC-KETJ,DF20-M-8TC-KETJ,DF20-M-2LC-S-5,DF20-M-1CNT-EL-5,DF20-M-1CNT-EL-4,DF20-M-2CNT-PIL-5,DF20-M-2CNT-PIL-4,DF20-M-1COM-232/485/422
Wiring Diagram	

Pin	Description
1	System_24V
2	System_0V
3	Load_24V
4	Load_24V
5	Load_0V
6	Load_0V
7	PE
8	PE



DF20-C-PN-RT-V10

## EtherCAT Bus coupler



DF20-C-EC

EtherCAT, 2 RJ45, extensible 31 modules, 24VDC

## Features

- With a power module.
- LED display working status, alarm and bus fault prompt.
- Two EtherCAT interface (RJ45, 100Mbps).

## Specification

Product	DF20-C-EC
Communication protocol	EtherCAT
Connection type	2 X RJ45, with switch function
Transmission rate	10/100Mbps, full duplex
Transmission distance	100 meters
PDO data	1024 bytes
Number of extensible modules	31
Address mapping	Yes
Address setting	EtherCAT specification, DIP switch
Alias range	1~254
Transmission medium	Class 5 twisted pair cable
Isolation method	Electrical isolation

## Power Supply Parameters

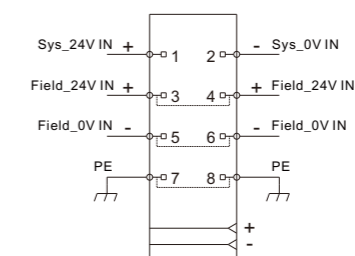
Connection type	Spring terminal blocks
Working voltage	24V DC +20 % / -15 %
Current without load	<150mA
Maximum area of wire	2.5mm <sup>2</sup>
Maximum area of wire (AWG)	AWG14
The minimum area of a wire	0.2mm <sup>2</sup>
The minimum area of a wire (AWG)	AWG28
Strip length	8...9mm
Supply system voltage	5VDC
Supply system current	Max.0.6A
Supply load voltage	24V...32VDC
Supply load current (MAX)	5A

## EtherCAT Bus coupler



Product	DF20-C-EC
Mechanical Structure	
Protection grade	IP20
Size(H X W X D)	100mm X 48mm X 69mm
Installation type	35mm DIN
Work Environment	
Working temperature	-25...60°C
Storage temperature	-40...85°C
Relative humidity	5... 95%RH(non-condensing)
LED Status Indicator	
PWR	Green: Power is working
RUN	Green Off: The I/O system is being initialized.
	Green slow blinking: The I/O system is prerunning.
	Green fast blinking: The I/O system is operating safely.
	Green: The I/O system is running.
LINK	Blinking green: The module is working.
ERR	Red: An error occurred between I/O system and module.
LED1	/
LED2	/
POWER-1, POWER-2	Green: The system power is working.
POWER-7, POWER-8	Green: The load power is working.
Support Module Types	
Digital module	DF20-M-8DI-N,DF20-M-8DI-P,DF20-M-16DI-N,DF20-M-16DI-P,DF20-M-32DI-N,DF20-M-32DI-P,DF20-M-8DO-N,DF20-M-8DO-P,DF20-M-16DO-N,DF20-M-16DO-P,DF20-M-32DO-N,DF20-M-32DO-P,DF20-M-8DIO-N,DF20-M-8DIO-P
Analog module	DF20-M-4AI-U-0,DF20-M-4AI-U-1,DF20-M-4AI-U-4,DF20-M-4AI-I-2,DF20-M-4AI-I-3,DF20-M-4AI-I-5,DF20-M-8AI-U-4,DF20-M-8AI-I-5,DF20-M-4AO-U-0,DF20-M-4AO-U-1,DF20-M-4AO-U-4,DF20-M-4AO-I-2,DF20-M-4AO-I-3,DF20-M-4AO-I-5,DF20-M-8AO-U-4,DF20-M-8AO-I-5
Functional module	DF20-M-2RTD-PT,DF20-M-4RTD-PT,DF20-M-4TC-KETJ,DF20-M-8TC-KETJ,DF20-M-2LC-S-5,DF20-M-1CNT-EL-5,DF20-M-1CNT-EL-4,DF20-M-2CNT-PIL-5,DF20-M-2CNT-PIL-4,DF20-M-1CNT-ELP-5,DF20-M-1COM-232/485/422
Wiring Diagram	

Pin	Description
1	System 24V
2	System 0V
3	Load 24V
4	Load 24V
5	Load 0V
6	Load 0V
7	PE
8	PE



DF20-C-EC



DF20-C-EN-IP

EtherNet/IP, 2 RJ45, extensible 32 modules, 24VDC

**Features**

- With a power module.
- LED display working status, alarm and bus fault prompt.
- Two EtherNet/IP interface (RJ45, 10/100Mbps).

**Specification**

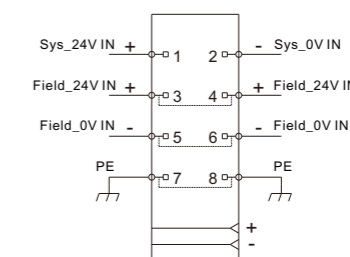
Product	DF20-C-EN-IP
Communication protocol	EtherNet/IP
Transmission rate	10/100Mbps, full duplex
Transmission distance	100 meters
PDO data	1024 bytes
Number of extensible modules	32
Address mapping	yes
Address setting	EtherNet/IP specification, DIP switch
Transmission medium	Class 5 twisted pair cable
Isolation method	Electrical isolation
Alarm function	Diagnostic alarm, process alarm, plug and unplug connector alarm
Minimum cycle time	1ms

**Power Supply Parameters**

Connection type	Spring terminal blocks
Working voltage	24V DC +20 % / -15 %
Current without load	<350mA
Maximum area of wire	2.5mm <sup>2</sup>
Maximum area of wire (AWG)	AWG14
The minimum area of a wire	0.2mm <sup>2</sup>
The minimum area of a wire (AWG)	AWG28
Strip length	8...9mm
Supply system voltage	5VDC
Supply system current	Max.0.4A
Supply load voltage	24V...32VDC
Supply load current (MAX)	5A

Product	DF20-C-EN-IP
<b>Mechanical Structure</b>	
Protection grade	IP20
Size(H X W X D)	100mm X 48mm X 69mm
Installation type	35mm DIN
<b>Work Environment</b>	
Working temperature	-25...60°C
Storage temperature	-40...85°C
Relative humidity	5... 95%RH(non-condensing)
<b>LED Status Indicator</b>	
PWR	Green: Power is working
RUN	Green: I/O system is running
LINK	Blinking green: The module is working
ERR	Red: An error occurred between I/O system and module
LED1	Green : PORT 1 connected successfully.
	Green blinking : Port 1 has data communication.
LED2	Green : PORT 2 connected successfully.
	Green blinking : Port 2 has data communication.
POWER-1, POWER-2	Green:The system power is working
POWER-7, POWER-8	Green: The load power is working
<b>Support Module Types</b>	
Digital module	DF20-M-8DI-N,DF20-M-8DI-P,DF20-M-16DI-N,DF20-M-16DI-P DF20-M-8DO-N,DF20-M-8DO-P,DF20-M-16DO-N,DF20-M-16DO-P DF20-M-8DIO-N,DF20-M-8DIO-P
Analog module	DF20-M-4AI-U-0,DF20-M-4AI-U-1,DF20-M-4AI-U-4,DF20-M-4AI-I-2,DF20-M-4AI-I-3,DF20-M-4AI-I-5, DF20-M-4AO-U-0,DF20-M-4AO-U-1,DF20-M-4AO-U-4,DF20-M-4AO-I-2,DF20-M-4AO-I-3,DF20-M-4AO-I-5
Functional module	DF20-M-2RTD-PT,DF20-M-4RTD-PT,DF20-M-4TC-KETJ,DF20-M-8TC-KETJ DF20-M-2LC-S-5,DF20-M-1CNT-EL-5,DF20-M-1CNT-EL-4,DF20-M-2CNT-PIL-5,DF20-M-2CNT-PIL-4
<b>Wiring Diagram</b>	

Pin	Description
1	System_24V
2	System_0V
3	Load_24V
4	Load_24V
5	Load_0V
6	Load_0V
7	PE
8	PE



DF20-C-EN-IP

## Modbus TCP/IP Bus coupler



DF20-C-MD-TCP-V1

Modbus TCP/IP, 1 RJ45, extensible 16 modules, 24VDC

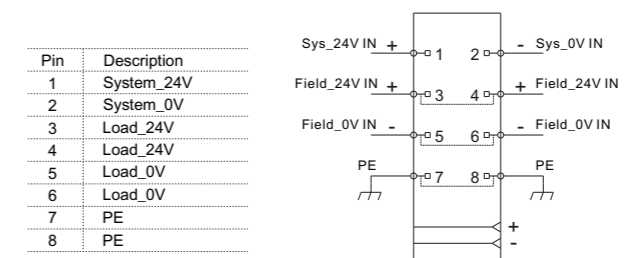
**Features**

- With a power module.
- LED display working status, alarm and bus fault prompt.
- Modbus TCP/IP interface (RJ45, 10/100Mbps)

Specification	
Product	DF20-C-MD-TCP-V1
Communication protocol	Modbus TCP/IP
Transmission rate	10/100Mbps
Transmission distance	100 meters
PDO data	1024 bytes
Number of extensible modules	16
Support Modbus function	02,03,05,06,15,16
Address mapping	Yes
Address setting	Modbus TCP/IP specification, DIP switch
Address range	2~253
Transmission medium	Class 5 twisted pair cable
Isolation method	Electrical isolation
Power Supply Parameters	
Connection type	Spring terminal blocks
Working voltage	24V DC +20 %/ -15 %
Current without load	<150mA
Maximum area of wire	2.5mm <sup>2</sup>
Maximum area of wire (AWG)	AWG14
The minimum area of a wire	0.2mm <sup>2</sup>
The minimum area of a wire (AWG)	AWG28
Strip length	8...9mm
Supply system voltage	5VDC
Supply system current	Max.0.6A
Supply load voltage	24V...32VDC
Supply load current (MAX)	5A

## Modbus TCP/IP Bus coupler

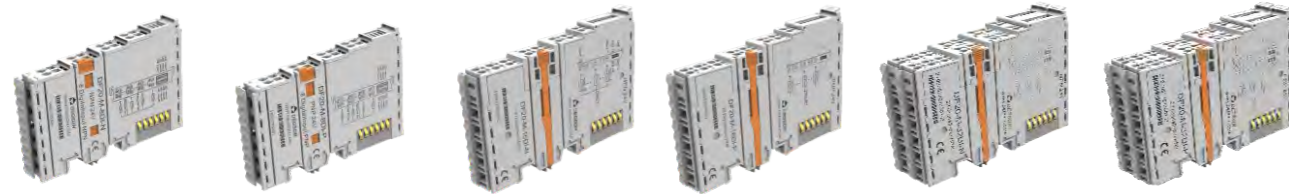
Product	DF20-C-MD-TCP-V1
Mechanical Structure	
Protection grade	IP20
Size(H X W X D)	100mm X 48mm X 69mm
Installation type	35mm DIN
Work Environment	
Working temperature	-25...60°C
Storage temperature	-40...85°C
Relative humidity	5... 95%RH(non-condensing)
LED Status Indicator	
PWR	Green: Power is working
RUN	Green: I/O system is running
LINK	Blinking green: The module is working
ERR	Red: An error occurred between I/O system and module
LED1	/
LED2	/
POWER-1, POWER-2	Green:The system power is working
POWER-7, POWER-8	Green: The load power is working
Support Module Types	
Digital module	DF20-M-8DI-N,DF20-M-8DI-P,DF20-M-16DI-N,DF20-M-16DI-P,DF20-M-32DI-N,DF20-M-32DI-P,DF20-M-8DO-N,DF20-M-8DO-P,DF20-M-16DO-N,DF20-M-16DO-P,DF20-M-32DO-N,DF20-M-32DO-P
Analog module	DF20-M-4AI-U-0,DF20-M-4AI-U-1,DF20-M-4AI-U-4,DF20-M-4AI-I-2,DF20-M-4AI-I-3,DF20-M-4AI-I-5,DF20-M-4AO-U-0,DF20-M-4AO-U-1,DF20-M-4AO-U-4,DF20-M-4AO-I-2,DF20-M-4AO-I-3,DF20-M-4AO-I-5
Functional module	DF20-M-2RTD-PT,DF20-M-4RTD-PT,DF20-M-4TC-KETJ,DF20-M-8TC-KETJ,DF20-M-2LC-S-5,DF20-M-1CNT-EL-5,DF20-M-1CNT-EL-4,DF20-M-2CNT-PIL-5,DF20-M-2CNT-PIL-4
Wiring Diagram	



DF20-C-MD-TCP-V1



## Digital input module



DF20-M-8DI-N    DF20-M-8DI-P    DF20-M-16DI-N    DF20-M-16DI-P    DF20-M-32DI-N    DF20-M-32DI-P

DF20-M-8DI-N	DF20-M-8DI-P	DF20-M-16DI-N	DF20-M-16DI-P	DF20-M-32DI-N	DF20-M-32DI-P
NPN , 24VDC Digital input module, 8 ports, NPN, 24VDC	PNP , 24VDC Digital input module, 8 ports, PNP, 24VDC	NPN , 24VDC Digital input module, 16 ports, NPN, 24VDC	PNP , 24VDC Digital input module, 16 ports, PNP, 24VDC	NPN , 24VDC Digital input module, 32 ports, NPN, 24VDC	PNP , 24VDC Digital input module, 32 ports, PNP, 24VDC

## Specification

Product	DF20-M-8DI-N	DF20-M-8DI-P	DF20-M-16DI-N	DF20-M-16DI-P	DF20-M-32DI-N	DF20-M-32DI-P
Number of channels	8		16		32	
Data size	1 Byte		2 Byte		4 Byte	
Signal type	NPN	PNP	NPN	PNP	NPN	PNP
"0" signal voltage	18V...32V	0V...4V	18V...32V	0V...4V	18V...32V	0V...4V
"1" signal voltage	0V...4V	18V...32V	0V...4V	18V...32V	0V...4V	18V...32V
Connection type	1-line					
Reverse protection	Yes					
Isolation method	Photoelectric isolation					
Fault diagnosis	Yes					
Typical input current	3mA					
Filtering time	0.3ms					
Precision	0.20%					

## Power Supply Parameters

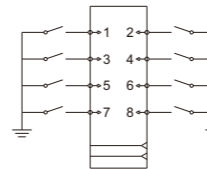
Connection type	Spring terminal blocks					
Working voltage	24V DC +20% / -15%					
System feed current	<14mA	<15mA	<15mA	<15mA	<30mA	<30mA
Maximum area of wire	2.5mm <sup>2</sup>		1.5mm <sup>2</sup>			
Maximum area of wire (AWG)	AWG14		AWG16			
The minimum area of a wire	0.2mm <sup>2</sup>		0.2mm <sup>2</sup>			
The minimum area of a wire (AWG)	AWG28		AWG28			
Strip length	8...9mm		8...9mm			

## Digital input module



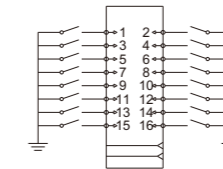
Product	DF20-M-8DI-N	DF20-M-8DI-P	DF20-M-16DI-N	DF20-M-16DI-P	DF20-M-32DI-N	DF20-M-32DI-P
<b>Mechanical Structure</b>						
Protection grade	IP20					
Size(H X W X D)	100mm X 12mm X 69mm			100mm X 24mm X 69mm		
Installation type	35mm DIN					
<b>Work Environment</b>						
Working temperature	-25...60°C					
Storage temperature	-40...85°C					
Relative humidity	5...95%RH(non-condensing)					
<b>LED Status Indicator</b>						
Channel Light	Green: The input signal of each channel is working.					
<b>Wiring Diagram</b>						

Pin	Description
1	Input 0
2	Input 1
3	Input 2
4	Input 3
5	Input 4
6	Input 5
7	Input 6
8	Input 7



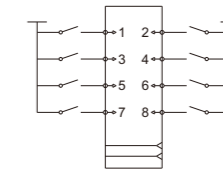
DF20-M-8DI-N

Pin	Description	Pin	Description
1	Input 0	9	Input 8
2	Input 1	10	Input 9
3	Input 2	11	Input 10
4	Input 3	12	Input 11
5	Input 4	13	Input 12
6	Input 5	14	Input 13
7	Input 6	15	Input 14
8	Input 7	16	Input 15



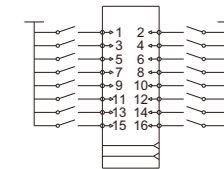
DF20-M-16DI-N

Pin	Description
1	Input 0
2	Input 1
3	Input 2
4	Input 3
5	Input 4
6	Input 5
7	Input 6
8	Input 7



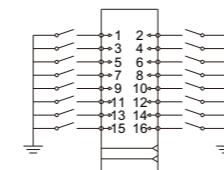
DF20-M-8DI-P

Pin	Description	Pin	Description
1	Input 0	9	Input 8
2	Input 1	10	Input 9
3	Input 2	11	Input 10
4	Input 3	12	Input 11
5	Input 4	13	Input 12
6	Input 5	14	Input 13
7	Input 6	15	Input 14
8	Input 7	16	Input 15

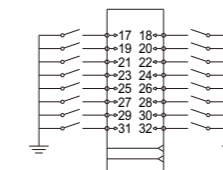


DF20-M-16DI-P

Pin	Description	Pin	Description	Pin	Description	Pin	Description
1	Input 0	9	Input 8	17	Input 16	25	Input 24
2	Input 1	10	Input 9	18	Input 17	26	Input 25
3	Input 2	11	Input 10	19	Input 18	27	Input 26
4	Input 3	12	Input 11	20	Input 19	28	Input 27
5	Input 4	13	Input 12	21	Input 20	29	Input 28
6	Input 5	14	Input 13	22	Input 21	30	Input 29
7	Input 6	15	Input 14	23	Input 22	31	Input 30
8	Input 7	16	Input 15	24	Input 23	32	Input 31

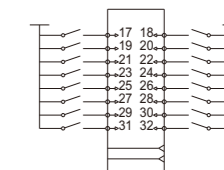
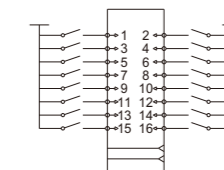


DF20-M-32DI-N



DF20-M-32DI-P

Pin	Description	Pin	Description	Pin	Description	Pin	Description
1	Input 0	9	Input 8	17	Input 16	25	Input 24
2	Input 1	10	Input 9	18	Input 17	26	Input 25
3	Input 2	11	Input 10	19	Input 18	27	Input 26
4	Input 3	12	Input 11	20	Input 19	28	Input 27
5	Input 4	13	Input 12	21	Input 20	29	Input 28
6	Input 5	14	Input 13	22	Input 21	30	Input 29
7	Input 6	15	Input 14	23	Input 22	31	Input 30
8	Input 7	16	Input 15	24	Input 23	32	Input 31



## Digital output module



DF20-M-8DO-N    DF20-M-8DO-P    DF20-M-16DO-N    DF20-M-16DO-P    DF20-M-32DO-N    DF20-M-32DO-P

DF20-M-8DO-N	DF20-M-8DO-P	DF20-M-16DO-N	DF20-M-16DO-P	DF20-M-32DO-N	DF20-M-32DO-P
NPN , 24VDC Digital output module, 8 ports, NPN, 24VDC	PNP , 24VDC Digital output module, 8 ports, PNP, 24VDC	NPN , 24VDC Digital output module, 16 ports, NPN, 24VDC	PNP , 24VDC Digital output module, 16 ports, PNP, 24VDC	NPN , 24VDC Digital output module, 32 ports, NPN, 24VDC	PNP , 24VDC Digital output module, 32 ports, PNP, 24VDC

## Specification

Product	DF20-M-8DO-N	DF20-M-8DO-P	DF20-M-16DO-N	DF20-M-16DO-P	DF20-M-32DO-N	DF20-M-32DO-P
Number of channels	8		16		32	
Data size	1 Byte		2 Byte		4 Byte	
Signal type	NPN	PNP	NPN	PNP	NPN	PNP
"0" signal voltage	high-impedance state	high-impedance state	high-impedance state	high-impedance state	high-impedance state	high-impedance state
"1" signal voltage	0V DC	24V DC	0V DC	24V DC	0V DC	24V DC
Connection type	1-line					
Reverse protection	Yes					
Isolation method	Photoelectric isolation					
Switching Frequency (resistance/lamp load)	<1000Hz					
Switching Frequency (Inductive load)	<0.2Hz					
Response Time of the Protection Circuit	< 100µs					
Output current per channel(MAX)	500 mA					
Load type	Inductance, resistance, lamp					

## Power Supply Parameters

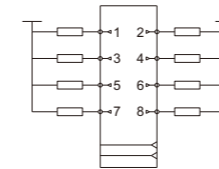
Connection type	Spring terminal blocks					
Working voltage	24V DC +20 % / - 15 %					
System feed current	<50mA		<75mA		<100mA	
Maximum area of wire	2.5mm <sup>2</sup>			1.5mm <sup>2</sup>		
Maximum area of wire (AWG)	AWG14			AWG16		
The minimum area of a wire	0.2mm <sup>2</sup>			0.2mm <sup>2</sup>		
The minimum area of a wire (AWG)	AWG28			AWG28		
Strip length	8...9mm			8...9mm		

## Digital output module



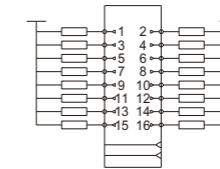
Product	DF20-M-8DO-N	DF20-M-8DO-P	DF20-M-16DO-N	DF20-M-16DO-P	DF20-M-32DO-N	DF20-M-32DO-P
<b>Mechanical Structure</b>						
Protection grade	IP20					
Size(H X W X D)	100mm X 12mm X 69mm			100mm X 24mm X 69mm		
Installation type	35mm DIN					
<b>Work Environment</b>						
Working temperature	-25...60°C					
Storage temperature	-40...85°C					
Relative humidity	5... 95%RH(non-condensing)					
<b>LED Status Indicator</b>						
Channel Light	Green: The output signal of each channel is working.					
<b>Wiring Diagram</b>						

Pin	Description
1	Output 0
2	Output 1
3	Output 2
4	Output 3
5	Output 4
6	Output 5
7	Output 6
8	Output 7



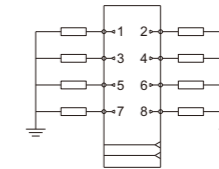
DF20-M-8DO-N

Pin	Description	Pin	Description
1	Output 0	9	Output 8
2	Output 1	10	Output 9
3	Output 2	11	Output 10
4	Output 3	12	Output 11
5	Output 4	13	Output 12
6	Output 5	14	Output 13
7	Output 6	15	Output 14
8	Output 7	16	Output 15



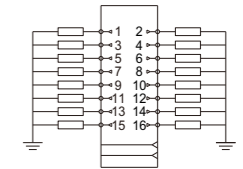
DF20-M-16DO-N

Pin	Description
1	Output 0
2	Output 1
3	Output 2
4	Output 3
5	Output 4
6	Output 5
7	Output 6
8	Output 7



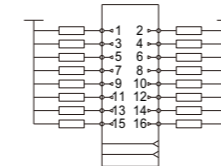
DF20-M-8DO-P

Pin	Description	Pin	Description
1	Output 0	9	Output 8
2	Output 1	10	Output 9
3	Output 2	11	Output 10
4	Output 3	12	Output 11
5	Output 4	13	Output 12
6	Output 5	14	Output 13
7	Output 6	15	Output 14
8	Output 7	16	Output 15

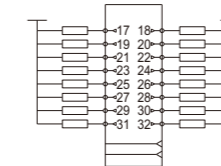


DF20-M-16DO-P

Pin	Description	Pin	Description	Pin	Description	Pin	Description
1	Output 0	9	Output 8	17	Output 16	25	Output 24
2	Output 1	10	Output 9	18	Output 17	26	Output 25
3	Output 2	11	Output 10	19	Output 18	27	Output 26
4	Output 3	12	Output 11	20	Output 19	28	Output 27
5	Output 4	13	Output 12	21	Output 20	29	Output 28
6	Output 5	14	Output 13	22	Output 21	30	Output 29
7	Output 6	15	Output 14	23	Output 22	31	Output 30
8	Output 7	16	Output 15	24	Output 23	32	Output 31

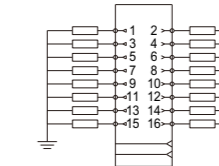


DF20-M-32DO-N

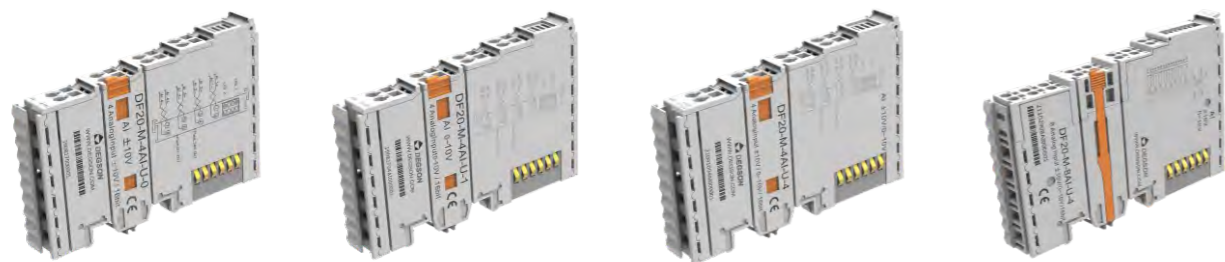


DF20-M-32DO-P

Pin	Description	Pin	Description	Pin	Description	Pin	Description
1	Output 0	9	Output 8	17	Output 16	25	Output 24
2	Output 1	10	Output 9	18	Output 17	26	Output 25
3	Output 2	11	Output 10	19	Output 18	27	Output 26
4	Output 3	12	Output 11	20	Output 19	28	Output 27
5	Output 4	13	Output 12	21	Output 20	29	Output 28
6	Output 5	14	Output 13	22	Output 21	30	Output 29
7	Output 6	15	Output 14	23	Output 22	31	Output 30
8	Output 7	16	Output 15	24	Output 23	32	Output 31



## Analog input module



DF20-M-4AI-U-0

DF20-M-4AI-U-1

DF20-M-4AI-U-4

DF20-M-8AI-U-4

Analog input module, 4 ports, -10... 10V, voltage type

Analog input module, 4 ports, 0... 10V, voltage type

Analog input module, 4 ports, (0...+10V)/(-10...+10V), voltage type

Analog input module, 8 ports, (0...+10V)/(-10...+10V), voltage type

## Specification

Product	DF20-M-4AI-U-0	DF20-M-4AI-U-1	DF20-M-4AI-U-4	DF20-M-8AI-U-4
Number of channels	4			8
Data size	8 Byte			16 Byte
Measuring range	Voltage U (-10... 10 V)	Voltage U (0... 10 V)	Voltage U (0...+10V) (-10...+10V)	Voltage U (0...+10V)(-10...+10V)
Signal type	Differential signal			
Connection type	2-line			
Reverse protection	Yes			
Isolation method	Magnetic isolation			
Fault diagnosis	Yes			
Internal Resistance	>450KΩ			
Resolution	16 Bit			
Measuring range(Profinet/Ethernet IP)	(-10...+10V): -27648~27648	(0...+10V): 0~27648	(0...+10V): 0~27648 (-10...+10V): -27648~27648	(0...+10V): 0~27648 (-10...+10V): -27648~27648
Measuring range(Others)	(-10...+10V): -32768~32767	(0...+10V): 0~65535	(0...+10V): 0~32767 (-10...+10V): -32768~32767	(0...+10V): 0~32767 (-10...+10V): -32768~32767
Precision	0.20%			
Conversion time	< 1ms			
Sampling rate	20-300Hz (Configuration)			

## Power Supply Parameters

Connection type	Spring terminal blocks	
Working voltage	24V DC +20 %/ -15 %	
System feed current	<120mA	<200mA
Maximum area of wire	2.5mm <sup>2</sup>	1.5mm <sup>2</sup>
Maximum area of wire (AWG)	AWG14	AWG16
The minimum area of a wire	0.2mm <sup>2</sup>	0.2mm <sup>2</sup>
The minimum area of a wire (AWG)	AWG28	AWG28
Strip length	8...9mm	8...9mm

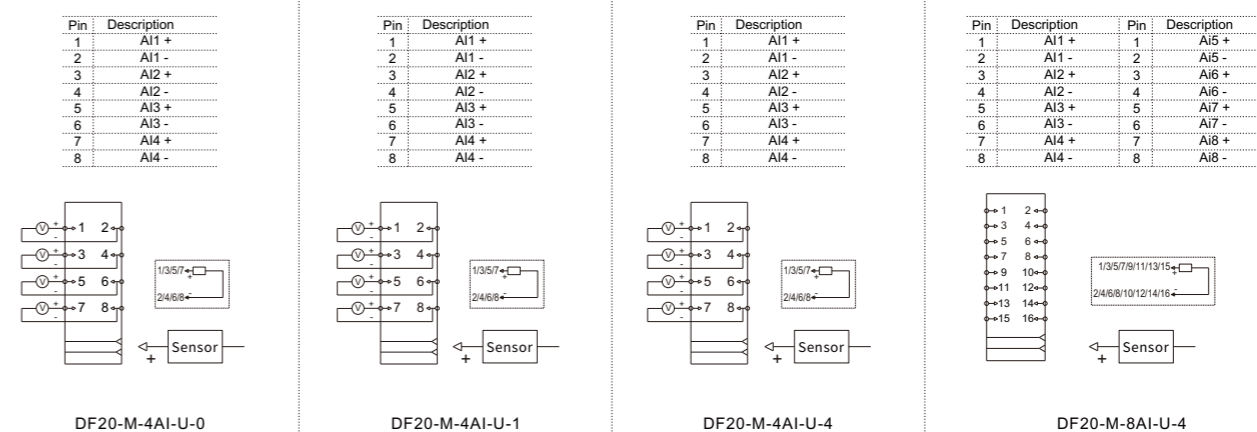
## Analog input module

Product	DF20-M-4AI-U-0	DF20-M-4AI-U-1	DF20-M-4AI-U-4	DF20-M-8AI-U-4
Mechanical Structure				
Protection grade	IP20			
Size(H X W X D)	100mm X 12mm X 69mm			
Installation type	35mm DIN			
Work Environment				
Working temperature	-25...60°C			
Storage temperature	-40...85°C			
Relative humidity	5... 95%RH(non-condensing)			

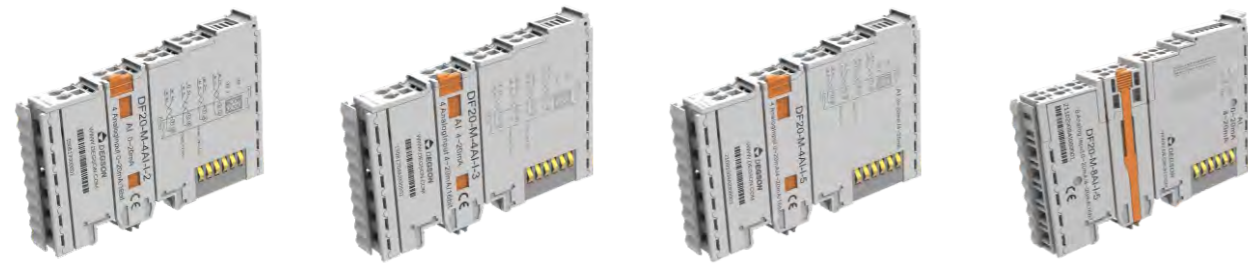
## LED Status Indicator

LED1	Green: Power is working	Green: Signal on Channel 1.
LED2	Green blinks: I/O system and modules working properly	Green: Signal on Channel 2.
LED3	—	Green: Signal on Channel 3.
LED4	—	Green: Signal on Channel 4.
LED5	—	Green: Signal on Channel 5.
LED6	—	Green: Signal on Channel 6.
LED7	—	Green: Signal on Channel 7.
LED8	—	Green: Signal on Channel 8.
PWR	—	Green: Power is working.
L/A	—	Green: I/O system and modules working properly.

## Wiring Diagram



## Analog input module



DF20-M-4AI-I-2

DF20-M-4AI-I-3

DF20-M-4AI-I-5

DF20-M-8AI-I-5

Analog input module, 4 ports, 0...20 mA, current type

Analog input module, 4 ports, 4...20 mA, current type

Analog input module, 4 ports, (0...20mA)(4...20mA), current type

Analog input module, 8 ports, (0...20mA)(4...20mA), current type

## Specification

Product	DF20-M-4AI-I-2	DF20-M-4AI-I-3	DF20-M-4AI-I-5	DF20-M-8AI-I-5
Number of channels	4			8
Data size	8 Byte			16 Byte
Measuring range	Current(0..20ma)	Current(4..20ma)	Current I(0...20mA)(4...20mA)	Current I(0...20mA)(4...20mA)
Signal type	Differential signal			
Connection type	2-line			
Reverse protection	Yes			
Isolation method	Magnetic isolation			
Fault diagnosis	Yes			
Internal Resistance	100Ω			
Resolution	16 Bit			
Measuring range(Profinet/Ethernet/IP)	(0..20ma)0~27648	(4..20ma)0~27648	(0/4..20ma)0~27648	(0/4..20ma)0~27648
Measuring range(Others)	(0..20ma)0~65535	(4..20ma)0~65535	(0/4..20ma)0~65535	(0/4..20ma)0~65535
Precision	0.20%±50ppm/K max.			
Conversion time	< 1ms			
Sampling rate	20-300Hz (Configuration)			

## Power Supply Parameters

Connection type	Spring terminal blocks	
Working voltage	24V DC +20% / -15%	
System feed current	<120mA	<200mA
Maximum area of wire	2.5mm <sup>2</sup>	1.5mm <sup>2</sup>
Maximum area of wire (AWG)	AWG14	AWG16
The minimum area of a wire	0.2mm <sup>2</sup>	0.2mm <sup>2</sup>
The minimum area of a wire (AWG)	AWG28	AWG28
Strip length	8...9mm	8...9mm

## Analog input module

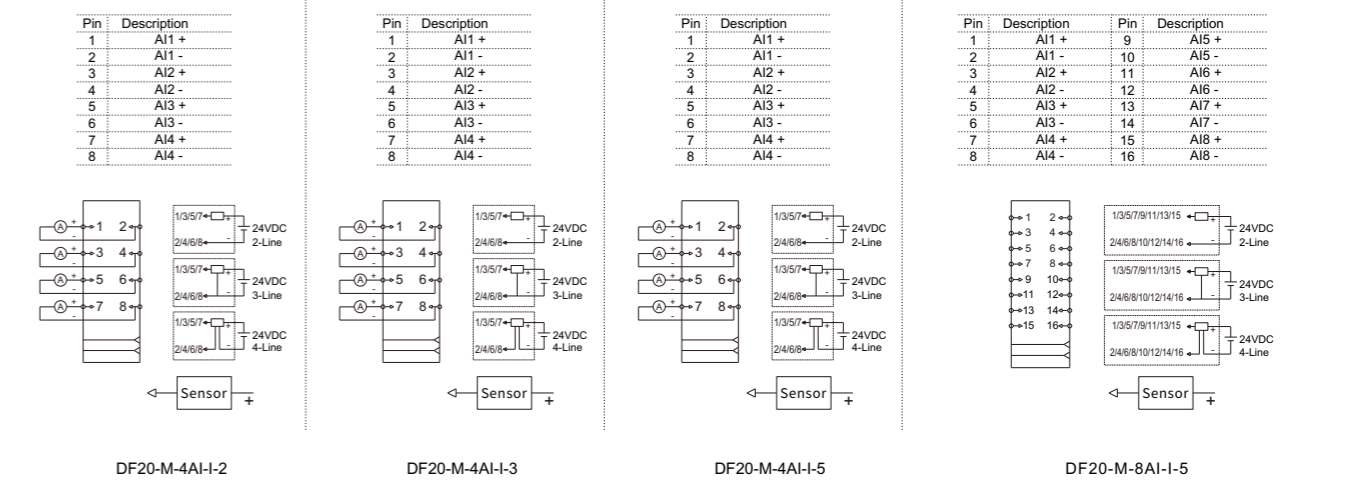


Product	DF20-M-4AI-I-2	DF20-M-4AI-I-3	DF20-M-4AI-I-5	DF20-M-8AI-I-5
<b>Mechanical Structure</b>				
Protection grade	IP20			
Size(H X W X D)	100mm X 12mm X 69mm			
Installation type	35mm DIN			
<b>Work Environment</b>				
Working temperature	-25...60°C			
Storage temperature	-40...85°C			
Relative humidity	5...95%RH(non-condensing)			

## LED Status Indicator

LED1	Green : Power is working	Green: Signal on Channel 1.
LED2	Green blinks : I/O system and modules working properly	Green: Signal on Channel 2.
LED3	—	Green: Signal on Channel 3.
LED4	—	Green: Signal on Channel 4.
LED5	—	Green: Signal on Channel 5.
LED6	—	Green: Signal on Channel 6.
LED7	—	Green: Signal on Channel 7.
LED8	—	Green: Signal on Channel 8.
PWR	—	Green: Power is working
L/A	—	Green: I/O system and modules working properly

## Wiring Diagram





## Analog output module



DF20-M-4AO-U-0   DF20-M-4AO-U-1   DF20-M-4AO-U-4   DF20-M-4AO-I-2   DF20-M-4AO-I-3   DF20-M-4AO-I-5

Analog output module, 4 ports, -10... 10V, voltage type	Analog output module, 4 ports, 0... 10V, voltage type	Analog output module, 4 ports, -10...+10V, 0... 10V, voltage type	Analog output module, 4 ports, 0...20 mA, current type	Analog output module, 4 ports, 4... 20 mA, current type	Analog output module, 4 ports, 0...20mA, 4... 20 mA, current type
---	---	---	--	---	---

## Specification

Product	DF20-M-4AO-U-0	DF20-M-4AO-U-1	DF20-M-4AO-U-4	DF20-M-4AO-I-2	DF20-M-4AO-I-3	DF20-M-4AO-I-5
Number of channels	4					
Data size	8 Byte					
Signal type	Differential signal					
Connection type	2-line					
Overcurrent protection	Yes					
Isolation method	Magnetic isolation					
Fault diagnosis	Yes					
Resolution	16 Bit					
Precision	0.10%					
Measuring range(Profnet/Ethernet/IP)	(-10...+10V)-27648~27648	(0...+10V):0~27648	(0...+10V): 0~27648 (-10...+10V): -27648~27648	(0..20ma)0~27648	(4..20ma)0~27648	(0/4..20ma)0~27648
Measuring range(Others)	(-10...+10V)-32768~32767	(0...+10V): 0~65535	(0...+10V): 0~32767 (-10...+10V): -32768~32767	(0..20ma)0~65535	(4..20ma)0~65535	(0/4..20ma)0~65535
Temperature coefficient	<20 ppm					
Conversiontime	≤ 1ms					
Load impedance	>2KΩ			<250Ω		

## Power Supply Parameters

Connection type	Spring terminal blocks					
Working voltage	24V DC +20 %/ -15 %					
System feed current	<200mA			<400mA		
Maximum area of wire	2.5mm <sup>2</sup>					
Maximum area of wire (AWG)	AWG14					
The minimum area of a wire	0.2mm <sup>2</sup>					
The minimum area of a wire (AWG)	AWG28					
Strip length	8...9mm					

## Analog output module



Product	DF20-M-4AO-U-0	DF20-M-4AO-U-1	DF20-M-4AO-U-4	DF20-M-4AO-I-2	DF20-M-4AO-I-3	DF20-M-4AO-I-5
---------	----------------	----------------	----------------	----------------	----------------	----------------

## Mechanical Structure

Protection grade	IP20					
Size(H X W X D)	100mm X 12mm X 69mm					
Installation type	35mm DIN					

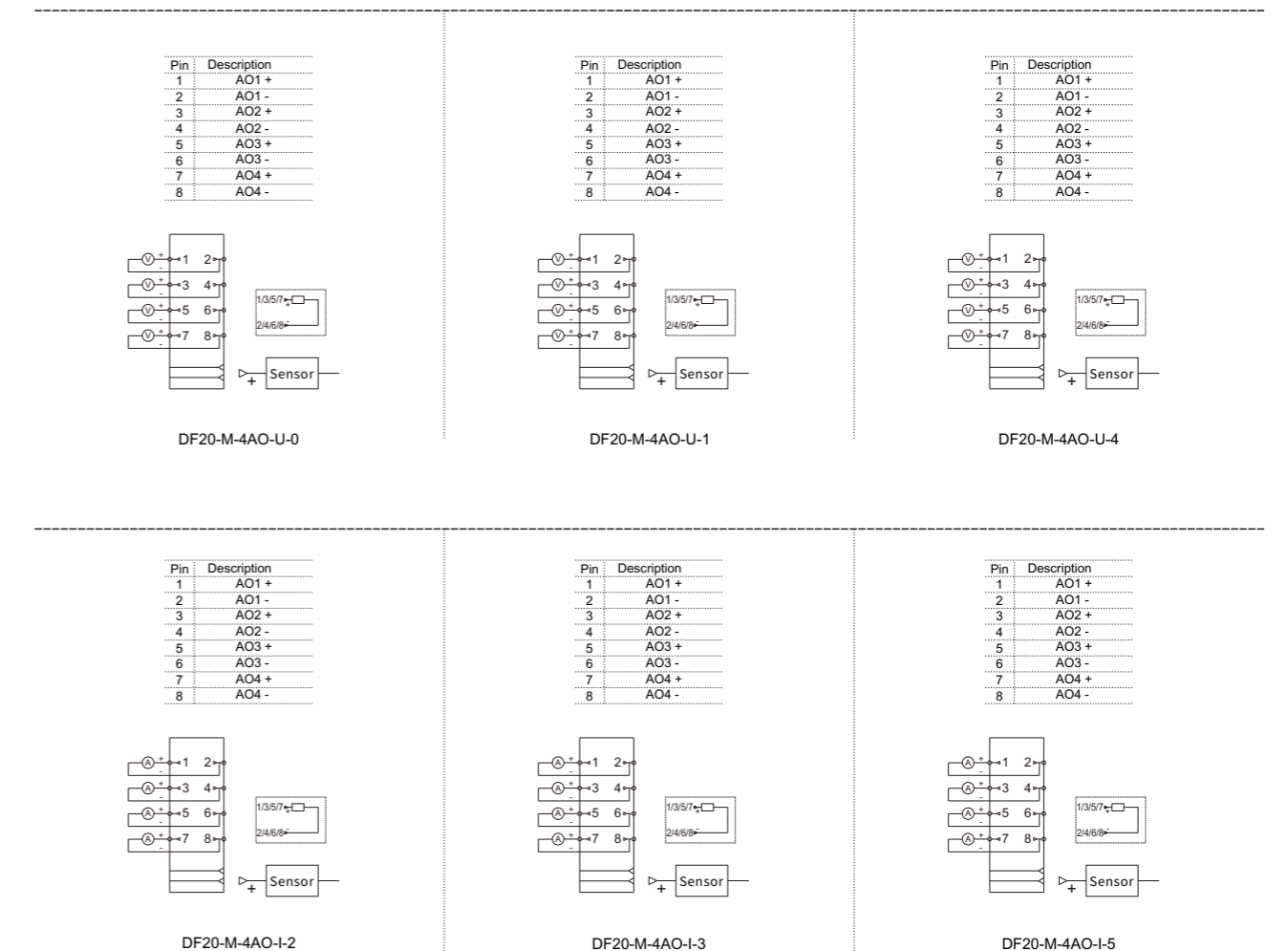
## Work Environment

Working temperature	-25...60°C					
Storage temperature	-40...85°C					
Relative humidity	5... 95%RH(non-condensing)					

## LED Status Indicator

LED1	Green : Power is working					
LED2	Green blinks : I/O system and modules working properly					

## Wiring Diagram





DF20-M-2RTD-PT

 Thermal Resistance (RTD) measurement module,  
16 bit resolution, 2 channels


DF20-M-4RTD-PT

 Thermal Resistance (RTD) measurement module,  
16 bit resolution, 4 channels

Specification		
Product	DF20-M-2RTD-PT	DF20-M-4RTD-PT
Number of channels	2	4
Data size	4 Byte	8 Byte
Signal type	Thermal resistance	
Signal type	PT100, PT1000	
Connection type	2/3/4-line	2/3-line
Reverse protection	Yes	
Isolation method	Magnetic isolation	
Fault diagnosis	Yes	
Resolution	16bit, 0.1°C/ each number	
Frequency interference suppression	10Hz   50Hz   60Hz   400Hz	
Diagnosis	Disconnection, Parameter assignment error	
Process alarm	Upper/Lower limit, per channel	
Temperature coefficient	±50ppm/K max.	
Measuring range	-200°C ~ 850°C	
Precision	±0.3%	
Conversion time	150ms	200ms

Product	DF20-M-2RTD-PT	DF20-M-4RTD-PT
Power Supply Parameters		
Connection type	Spring terminal blocks	
Working voltage	24V DC +20 % / -15 %	
System feed current	<60mA	<100mA
Maximum area of wire	2.5mm <sup>2</sup>	1.5mm <sup>2</sup>
Maximum area of wire (AWG)	AWG14	AWG16
The minimum area of a wire	0.2mm <sup>2</sup>	0.2mm <sup>2</sup>
The minimum area of a wire (AWG)	AWG28	AWG28
Strip length	8...9mm	8...9mm

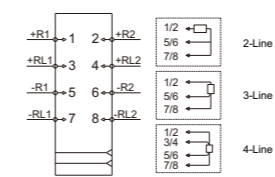
Mechanical Structure	
Protection grade	IP20
Size(H X W X D)	100mm X 12mm X 69mm
Installation type	35mm DIN

Work Environment	
Working temperature	-25...60°C
Storage temperature	-40...85°C
Relative humidity	5... 95%RH(non-condensing)

LED Status Indicator	
LED1	Green : Power is working
LED2	Green blinks : I/O system and modules working properly

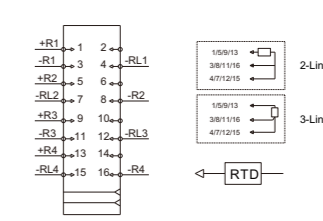
### Wiring Diagram

Pin	Description
1	+R1
2	+R2
3	+RL1
4	+RL2
5	-R1
6	-R2
7	-RL1
8	-RL2

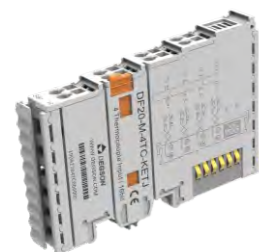


DF20-M-2RTD-PT

Pin	Description	Pin	Description
1	+R1	1	+R3
2	/	2	/
3	-R1	3	-R3
4	-RL1	4	-RL3
5	+R2	5	+R4
6	/	6	/
7	-R2	7	-RL4
8	-R2	8	-R4



DF20-M-4RTD-PT



DF20-M-4TC-KETJ

 Thermocouple (TC) module, 4 inputs,  
16 bit resolution


DF20-M-8TC-KETJ

 Thermocouple (TC) module, 8 inputs,  
16 bit resolution

## Specification

Product	DF20-M-4TC-KETJ	DF20-M-8TC-KETJ
Number of channels	4	8
Data size	8 Byte	16 Byte
Signal type	Thermocouple	
Signal type	E(-30~900°C), J(-210~1200°C) T(-270~400°C), K(-30~1370°C)	
Cold End compensation	Internal and external (accuracy ≤3K)	
Diagnosis	Yes	
Temperature coefficient	≤ 50 ppm/K	
Connection type	2-line	
Reverse protection	Yes	
Isolation method	Magnetic isolation	
Fault diagnosis	Yes	
Internal Resistance	/	
Resolution	16bit, 0.1°C/ resolution	
Frequency interference suppression	10Hz   50Hz   60Hz   400Hz	
Diagnosis	Disconnection, Parameter assignment error	
Process alarm	Upper/Lower limit, per channel	
Temperature coefficient	±0.5%	
Measuring range	-270°C ~ 1370°C	
Precision	± 0.3%	
Conversion time	125ms	

Product	DF20-M-4TC-KETJ	DF20-M-8TC-KETJ
Power Supply Parameters		
Connection type	Spring terminal blocks	
Working voltage	24V DC +20 %/ -15 %	
System feed current	<70mA	<100mA
Maximum area of wire	2.5mm <sup>2</sup>	1.5mm <sup>2</sup>
Maximum area of wire (AWG)	AWG14	AWG16
The minimum area of a wire	0.2mm <sup>2</sup>	0.2mm <sup>2</sup>
The minimum area of a wire (AWG)	AWG28	AWG28
Strip length	8...9mm	8...9mm

## Mechanical Structure

Protection grade	IP20
Size(H X W X D)	100mm X 12mm X 69mm
Installation type	35mm DIN

## Work Environment

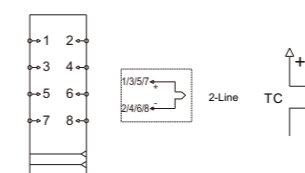
Working temperature	-25...60°C
Storage temperature	-40...85°C
Relative humidity	5... 95%RH(non-condensing)

## LED Status Indicator

LED1	Green : Power is working
LED2	Green blinks : I/O system and modules working properly

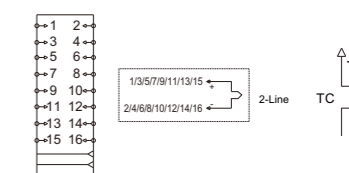
## Wiring Diagram

Pin	Description
1	Signal1 +
2	Signal1 -
3	Signal2 +
4	Signal2 -
5	Signal3 +
6	Signal3 -
7	Signal4 +
8	Signal4 -



DF20-M-4TC-KETJ

Pin	Description	Pin	Description
1	Signal1 +	9	Signal5 +
2	Signal1 -	10	Signal5 -
3	Signal2 +	11	Signal6 +
4	Signal2 -	12	Signal6 -
5	Signal3 +	13	Signal7 +
6	Signal3 -	14	Signal7 -
7	Signal4 +	15	Signal8 +
8	Signal4 -	16	Signal8 -



DF20-M-8TC-KETJ

## Analog input module



DF20-M-1CNT-EL-4

DF20-M-1CNT-EL-5

DF20-M-1CNT-ELP-5

DF20-M-2CNT-PIL-4

DF20-M-2CNT-PIL-5

 Encoder input module,  
1 port,24V

 Encoder input module,  
1 port,5V

 Encoder input /pulse  
output module,1 port,5V

 Pulse counting module,  
2 port,24V

 Pulse counting module,  
2 port,5V

## Specification

Product	DF20-M-1CNT-EL-4	DF20-M-1CNT-EL-5	DF20-M-1CNT-ELP-5	DF20-M-2CNT-PIL-4	DF20-M-2CNT-PIL-5
Maximum frequency count	1Mhz	1Mhz	1Mhz	1Mhz	1Mhz
Number of channels	1			2	
Data size	12 Byte			28 Byte	
Input signal type	Incremental encoder			Pulse signal	
Input signal type	24V DC	5V DC	5V DC	24V DC	5V DC
Input connection type	4-line			2-line	
Output signal type	/	/	422 type	/	/
Reverse protection	Yes				
Isolation method	Magnetic isolation				
Fault diagnosis	Yes				
Resolution	32 Bit				
Precision	±1 pulse				

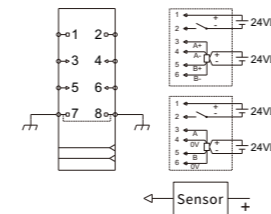
## Power Supply Parameters

Connection type	Spring terminal blocks				
System feed current	<30mA	<30mA	<200mA	<30mA	<30mA
Maximum area of wire	2.5mm <sup>2</sup>				
Maximum area of wire (AWG)	AWG14				
The minimum area of a wire	0.2mm <sup>2</sup>				
The minimum area of a wire (AWG)	AWG28				
Strip length	8...9mm				

## Analog input module

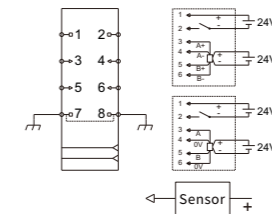
Product	DF20-M-1CNT-EL-4	DF20-M-1CNT-EL-5	DF20-M-1CNT-ELP-5	DF20-M-2CNT-PIL-4	DF20-M-2CNT-PIL-5
<b>Mechanical Structure</b>					
Protection grade	IP20				
Size(H X W X D)	100mm X 12mm X 69mm				
Installation type	35mm DIN				
<b>Work Environment</b>					
Working temperature	-25...60°C				
Storage temperature	-40...85°C				
Relative humidity	5... 95%RH(non-condensing)				
<b>LED Status Indicator</b>					
LED1	Green : Power is working				
LED2	Green blinks : I/O system and modules working properly				
<b>Wiring Diagram</b>					

Pin	Description	Notes
1	24V	NPN:1=24V,2=signal
2	0V	PNP:1=signal,2=0V...
3	ENCA+ / ENCA	
4	ENCA- / 0V	
5	ENCB+ / ENCB	
6	ENCB- / 0V	
7	PE	
8	PE	



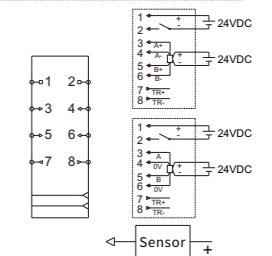
DF20-M-1CNT-EL-4

Pin	Description	Notes
1	24V	NPN:1=24V,2=signal
2	0V	PNP:1=signal,2=0V...
3	ENCA+ / ENCA	
4	ENCA- / 0V	
5	ENCB+ / ENCB	
6	ENCB- / 0V	
7	PE	
8	PE	



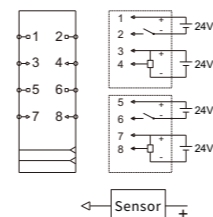
DF20-M-1CNT-EL-5

Pin	Description	Notes
1	24V	NPN:1=24V,2=signal
2	0V	PNP:1=signal,2=0V...
3	ENCA+ / ENCA	
4	ENCA- / 0V	
5	ENCB+ / ENCB	
6	ENCB- / 0V	
7	RS422_TR_out+	
8	RS422_TR_out-	



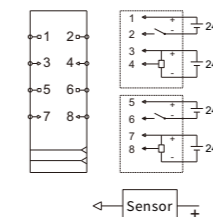
DF20-M-1CNT-ELP-5

Pin	Description	Notes
1	24V	NPN:1=24V,2=signal
2	0V	PNP:1=signal,2=0V...
3	Signal1_24V	
4	Signal1	
5	24V	NPN:5=24V,6=signal
6	0V	PNP:5=signal,6=0V...
7	Signal2_24V	
8	Signal2	



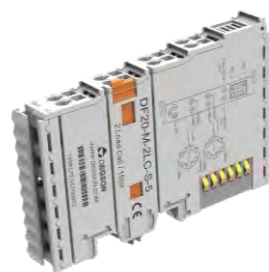
DF20-M-2CNT-PIL-4

Pin	Description	Notes
1	24V	NPN:1=24V,2=signal
2	0V	PNP:1=signal,2=0V...
3	Signal1_24V	
4	Signal1	
5	24V	NPN:5=24V,6=signal
6	0V	PNP:5=signal,6=0V...
7	Signal2_24V	
8	Signal2	



DF20-M-2CNT-PIL-5

## Bridge Module



DF20-M-2LC-S-5

Bridge measurement module, 16-bit resolution, 2-channel

## Specification

Product	DF20-M-2LC-S-5
Measuring range	0-10mV
Number of channels	2
Signal type	Load Cell/Bridge, pressure sensor, Load Cell
Connection type	4-line
Reverse protection	Yes
Isolation method	Magnetic isolation
Data size	8 Byte
Fault diagnosis	Yes
Internal Resistance	>500KΩ
Resolution 16bit	16bit
Frequency interference suppression	10Hz   50Hz   60Hz   400Hz
Diagnosis	Parameter assignment error
Precision	0.20%
Measuring range	-32768~32767
Conversion time	3.3ms

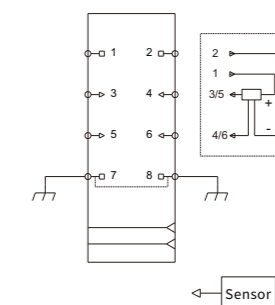
## Power Supply Parameters

Connection type	Spring terminal blocks
Working voltage	24V DC +20 % / -15 %
System feed current	<210mA
Maximum area of wire	2.5mm <sup>2</sup>
Maximum area of wire (AWG)	AWG14
The minimum area of a wire	0.2mm <sup>2</sup>
The minimum area of a wire (AWG)	AWG28
Strip length	8...9mm

## Bridge Module

Product	DF20-M-2LC-S-5
Mechanical Structure	
Protection grade	IP20
Size(H X W X D)	100mm X 12mm X 69mm
Installation type	35mm DIN
Work Environment	
Working temperature	-25...60°C
Storage temperature	-40...85°C
Relative humidity	5...95%RH(non-condensing)
LED Status Indicator	
LED1	Green: Power is working
LED2	Green blinks: I/O system and modules working properly
Wiring Diagram	

Pin	Description
1	Ref power 5V
2	Ref power 0V
3	Signal1 +
4	Signal1 -
5	Signal2 +
6	Signal2 -
7	PE
8	PE



DF20-M-2LC-S-5



## Voltage distribution module



DF20-M-DC-U-5

 Voltage distribution module,  
24VDC to 5VDC

DF20-M-DC-U-24

 Voltage distribution module,  
16 channel 24VDC

DF20-M-DC-U-0

 Voltage distribution module,  
16 channel 0VDC

DF20-M-T-8L

 Extended module,  
8channel, 2 line

DF20-M-DC-UD-5

 Voltage distribution module,  
24VDC to 5VDC

## Specification

Product	DF20-M-DC-U-5	DF20-M-DC-U-24	DF20-M-DC-U-0	DF20-M-T-8L	DF20-M-DC-UD-5
Number of channels	1	16	16	8	1
Isolation method	Electrical isolation	/	/	/	/

## Power Supply Parameters

Connection type	Spring terminal blocks	Spring terminal blocks	Spring terminal blocks	Spring terminal blocks	Spring terminal blocks
Working voltage	24V DC +20 %/ -15 %	24V DC +20 %/ -15 %	0V DC	0V...36VDC	24V DC +20 %/ -15 %
Reverse power protection	YES		/		YES
Supply system voltage	5VDC		/		5VDC
Supply system current	Max.0.75A		/		Max.2A
Supply load voltage	24V DC +20 %/ -15 %	24V DC +20 %/ -15 %	0VDC	Voltage distribution	24V DC +20 %/ -15 %
Supply load current (MAX)	5A		5A		8A
Maximum area of wire	2.5mm <sup>2</sup>		1.5mm <sup>2</sup>		2.5mm <sup>2</sup>
Maximum area of wire (AWG)	AWG14		AWG16		AWG14
The minimum area of a wire	0.2mm <sup>2</sup>		0.2mm <sup>2</sup>		0.2mm <sup>2</sup>
The minimum area of a wire (AWG)	AWG28		AWG28		AWG28
Strip length	8...9mm		8...9mm		8...9mm

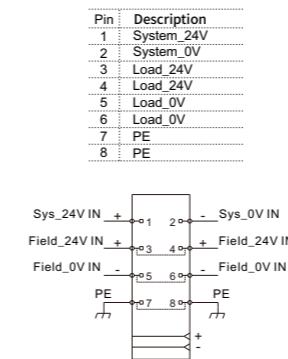
## Voltage distribution module

Product	DF20-M-DC-U-5	DF20-M-DC-U-24	DF20-M-DC-U-0	DF20-M-T-8L	DF20-M-DC-UD-5
<b>Mechanical Structure</b>					
Protection grade	IP20				
Size(H X W X D)	100mm X 12mm X 69mm				
Installation type	35mm DIN				
<b>Work Environment</b>					
Working temperature	-25...60°C				
Storage temperature	-40...85°C				
Relative humidity	5...95%RH(non-condensing)				

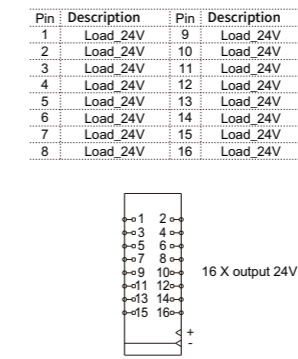
## LED Status Indicator

POWER-1, POWER-2	Green: The system power is working.	/	Green: The system power is working.
POWER-7, POWER-8	Green: The load power is working.	/	Green: The load power is working.

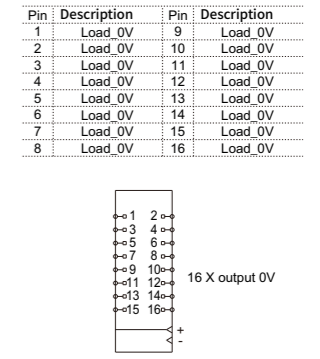
## Wiring Diagram



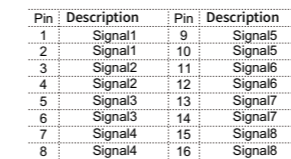
DF20-M-DC-U-5



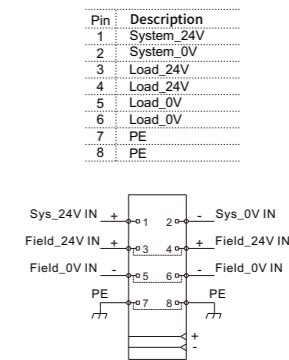
DF20-M-DC-U-24



DF20-M-DC-U-0



DF20-M-T-8L



DF20-M-DC-UD-5



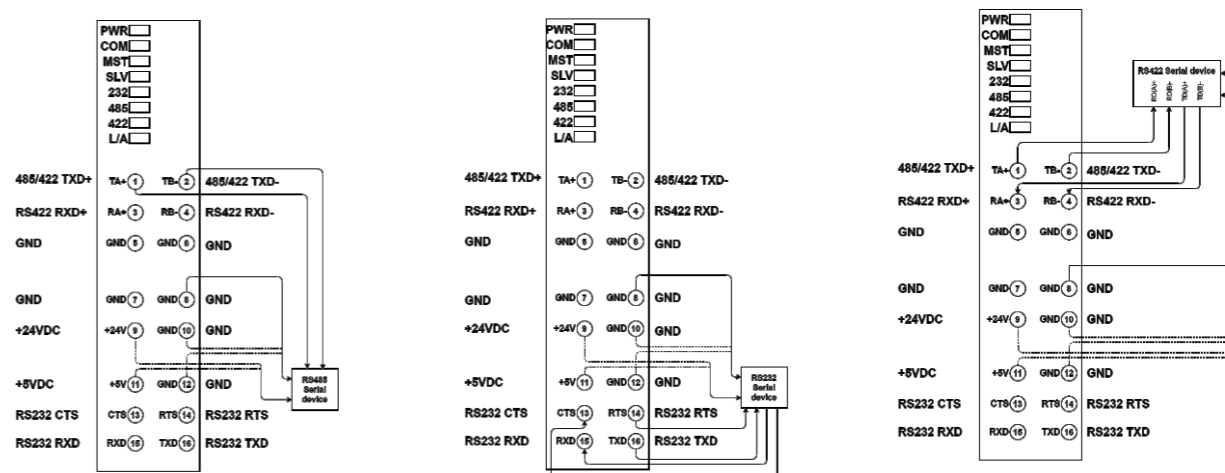
DF20-M-1COM-232/485/422

Serial communication module, 1 channel

Specification	
Product	DF20-M-1COM-232/485/422
Interface	RS232/RS485/RS422
Number of channels	1
Agreement	Modbus RTU/ASCII master and slave modes; Free protocol transparent mode
BAUD	2400bps - 500000bps
Data bits	7bit/8bit
Check bit	None/Even/Odd/Space/Mark
Stop bit	1bit/2bit
Maximum data frame length	128 byte
Power Supply Parameters	
Connection type	Spring terminal blocks
System feed current	<100mA
Maximum area of wire	1.5mm <sup>2</sup>
Maximum area of wire (AWG)	AWG16
The minimum area of a wire	0.14mm <sup>2</sup>
The minimum area of a wire (AWG)	AWG26
Strip length	8...10mm
Mechanical Structure	
Protection grade	IP20
Size(H X W X D)	111mm X 12mm X 75mm
Installation type	35mm DIN

Product	DF20-M-1COM-232/485/422
Work Environment	
Working temperature	-25...60°C
Storage temperature	-40...85°C
Relative humidity	5... 95%RH(non-condensing)
LED Status Indicator	
PW	Green: Internal bus power supply is normal
ST	Power on stage: green on: module initialization abnormal, green off: module initialization normal
	Operation phase: Green flashing: The internal bus of the module is working normally, green off: The internal bus of the module is working abnormally
COM	On: Input signal valid Off: Input signal invalid
MST	On: Input signal valid Off: Input signal invalid
SLV	On: Input signal valid Off: Input signal invalid
232	In 232 mode, on: connection normal off: connection abnormal
485	In 485 mode, on: connection normal off: connection abnormal
422	In 422 mode, on: connection normal off: connection abnormal
TS	On: Normal communication transmission Off: Abnormal communication transmission
RX	On: normal communication reception Off: abnormal communication reception
EP	On: External power supply normal Off: External power supply normal

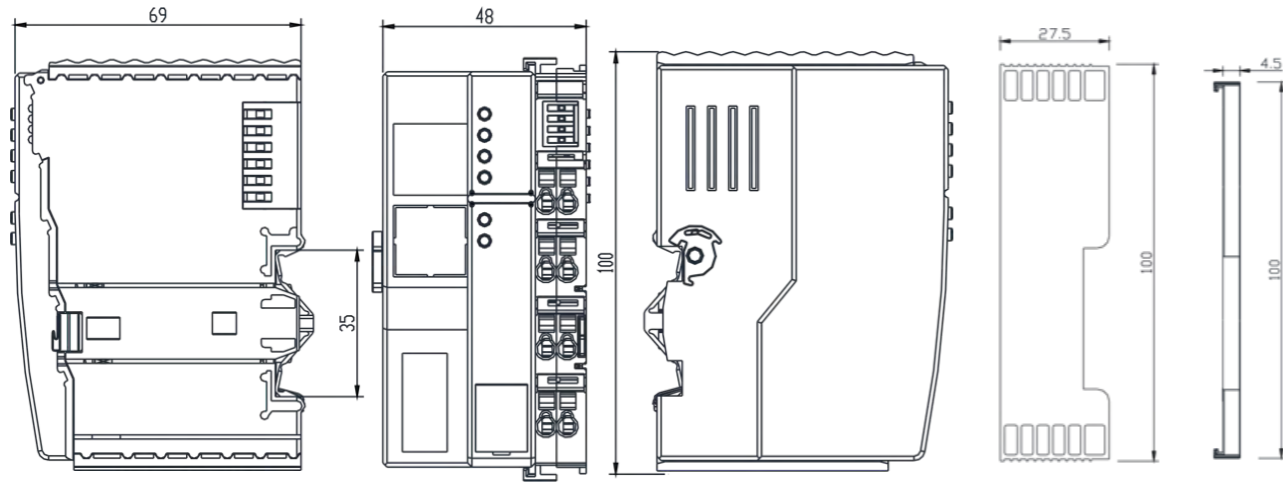
## Wiring Diagram



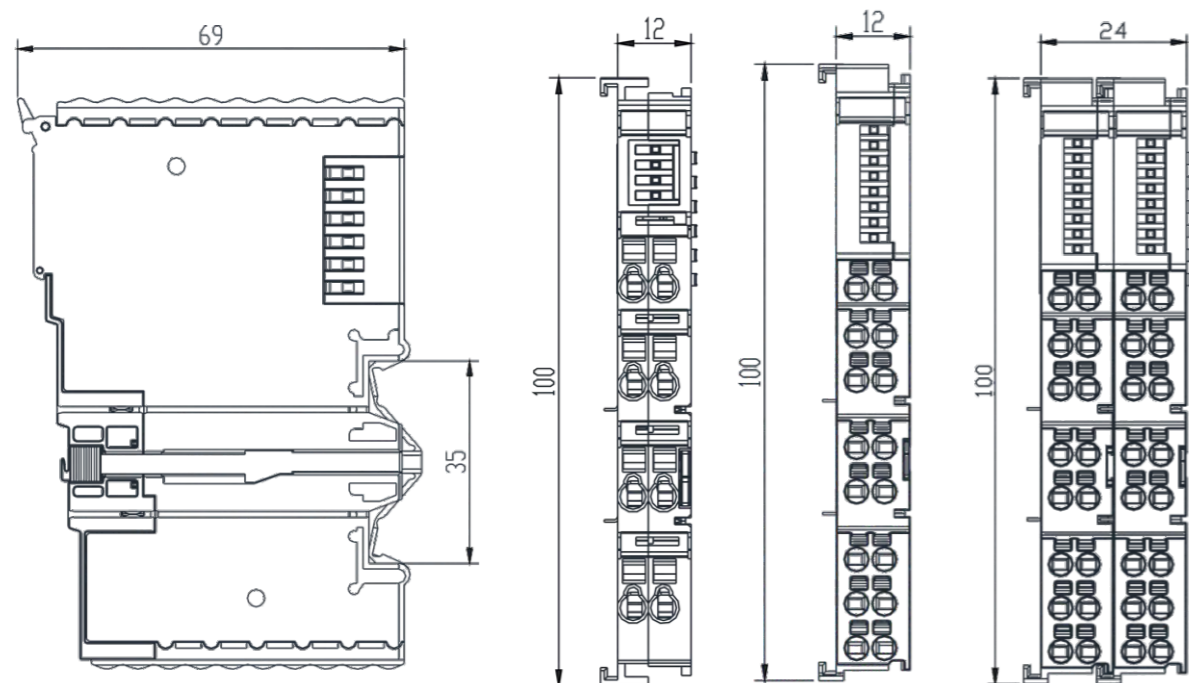
Pin	1	2	3	4	5	6	7	8	9	10	11	12	13	14	15	16
RS485	A	B														
RS422	TX+	TX-	RX+	RX-		GND			24V+	GND	5V+	GND				
RS232													CTS	RTS	RXD	TXD

DF20 series dimension

DF20 series bus coupler & Terminal cover dimension



DF20 series I/O module dimension



Module with 8 wiring holes

Module with 16 wiring holes

Module with 32 wiring holes

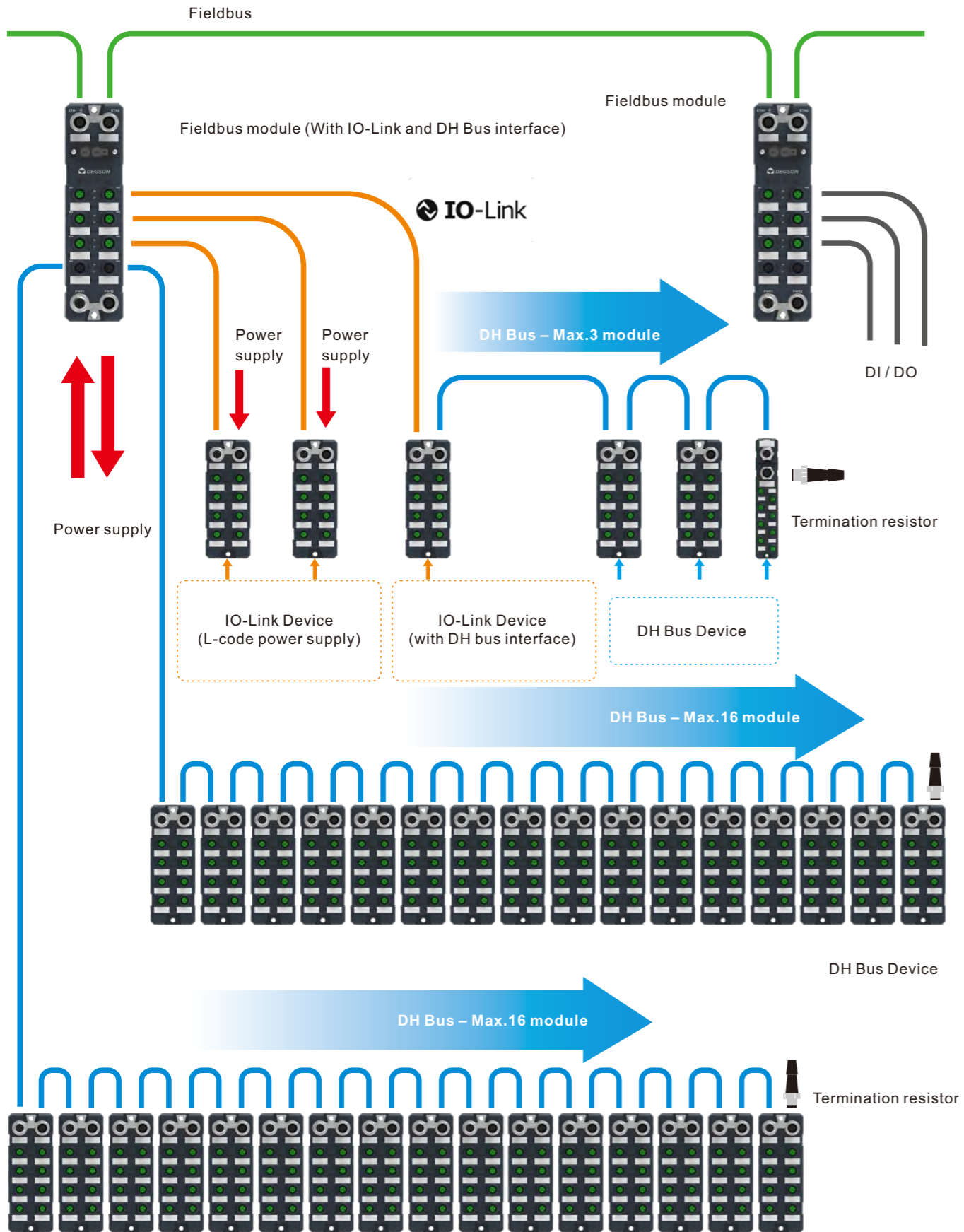
DEGSON Fieldbus High performance IP67 I/O



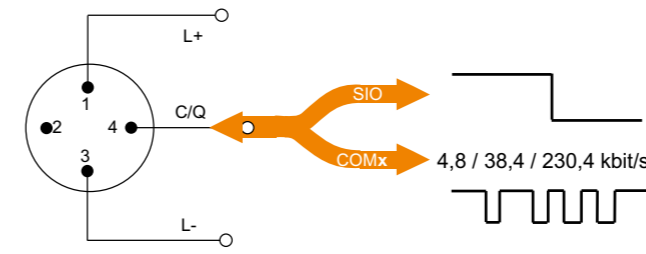
- Reliable**
- Robust**
- Durable**

- Supports multiple mainstream fieldbus protocols
- Flexible and suitable for multiple applications and work environments
- IP67/IP65 high protection structure
- Rich models and I/O types
- Extended Bus Technology (DH Bus) fully isolated, high-speed
- A single fieldbus node can scale up to 512DI/512DO/128AI/128AO

Application Extension Graph



IO-Link



Pin layout: IEC 60947-5-2

Pin	Signal	Definition	Standard
1	L+	24 V	IEC 61131-2
2	I/Q	Not connected, DI, or DO	IEC 61131-2
3	L-	0 V	IEC 61131-2
4	Q	"Switching signal" (SIO)	IEC 61131-2
	C	"Coded switching" (COM1, COM2, COM3)	IEC 61131-9

- IO-Link is the world's first standardized I/O technology for communication with sensors and actuators (IEC 61131-9)
- No additional requirements for cable materials are required, and the conventional 3-wire connection method can achieve powerful point-to-point communication
- IO-Link is not a fieldbus, but a further development of classic sensor and actuator connection technology

DH Bus

- DEGSON High performance Bus
- DEGSON internal communication protocol for efficient remote extension modules
- DH Bus single link can extend up to 16 modules, with a maximum length of 120m, and adjacent stations with a maximum length of 15m
- The last DH Bus station needs to increase terminal resistance to ensure stable and reliable communication



## Fieldbus Module

**DFH67-PN-IOL2A4B-DHB2-V1**

Internal version

Category and quantity of data/signal interfaces

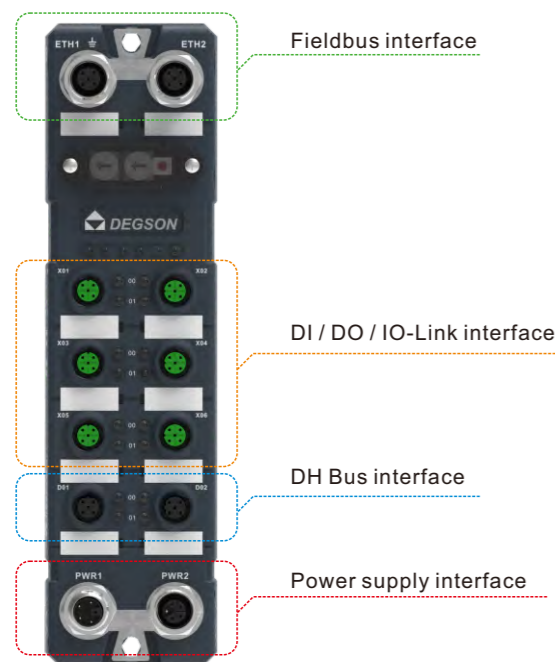
- IOL: IO-Link (A: Class A; B: Class B)
- DHB: DH Bus (DEGSON High performance Bus)
- DI: Digital Input (P: PNP; N: NPN)
- DO: Digital Output (P: PNP; N: NPN)

Category of Fieldbus interface

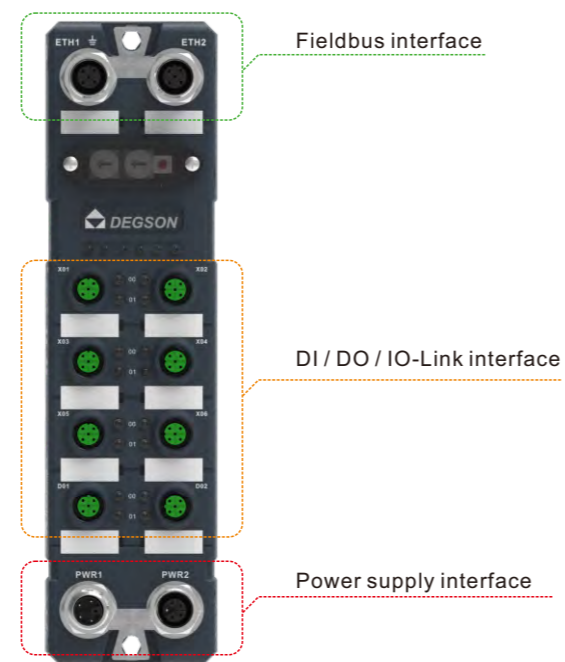
- PN: PROFINET
- EC: EtherCAT
- EIP: EtherNET/IP
- CLI: CC-Link IE Field Basic
- MT: ModbusTCP

Product Series

- DEGSON Fieldbus High performance IP67 I/O



Fieldbus module with DH Bus interface



Fieldbus module without DH Bus interface

## Fieldbus Module

NO.	Order NO.	Fieldbus interface					Data/Signal interfaces				
		PROFINET	EtherCAT	EtherNET/IP	CC-Link IE	Modbus TCP	IO-Link Class A	IO-Link Class B	DH Bus	DI	DO
1	DFH67-PN-IOL2A4B-DHB2-V1	•					2	4	2	2 PNP	
2	DFH67-PN-IOL6A-DHB2-V1	•					6		2	6 PNP	
3	DFH67-PN-IOL8A-V1	•					8			8 PNP	
4	DFH67-EC-IOL2A4B-DHB2-V1		•				2	4	2	2 PNP	
5	DFH67-EC-IOL6A-DHB2-V1		•				6		2	6 PNP	
6	DFH67-EC-IOL8A-V1		•				8			8 PNP	
7	DFH67-EIP-IOL2A4B-DHB2-V1			•			2	4	2	2 PNP	
8	DFH67-EIP-IOL6A-DHB2-V1			•			6		2	6 PNP	
9	DFH67-EIP-IOL8A-V1			•			8			8 PNP	
10	DFH67-CLI-IOL2A4B-DHB2-V1				•		2	4	2	2 PNP	
11	DFH67-CLI-IOL6A-DHB2-V1				•		6		2	6 PNP	
12	DFH67-CLI-IOL8A-V1				•		8			8 PNP	
13	DFH67-PN-DI12P-DHB2-V1	•							2	12 PNP	
14	DFH67-PN-DI12N-DHB2-V1	•							2	12 NPN	
15	DFH67-EC-DI12P-DHB2-V1		•						2	12 PNP	
16	DFH67-EC-DI12N-DHB2-V1		•						2	12 NPN	
17	DFH67-EIP-DIO12P-DHB2-V1	1*		•					2	12 PNP (Configurable)	
18	DFH67-EIP-DIO12N-DHB2-V1	1*		•					2	12 NPN (Configurable)	
19	DFH67-CLI-DIO12P-DHB2-V1	1*			•				2	12 PNP (Configurable)	
20	DFH67-CLI-DIO12N-DHB2-V1	1*			•				2	12 NPN (Configurable)	
21	DFH67-MT-DIO12P-DHB2-V1	1*				•			2	12 PNP (Configurable)	
22	DFH67-MT-DIO12N-DHB2-V1	1*				•			2	12 NPN (Configurable)	

1\*: This model requires less usage and has a longer lead time.



IO-Link module

**DFH67-IOLA-DIO16P-M12-V1**

Internal version

Signal interface specification

- M08
- M12

Category and quantity of signal interfaces

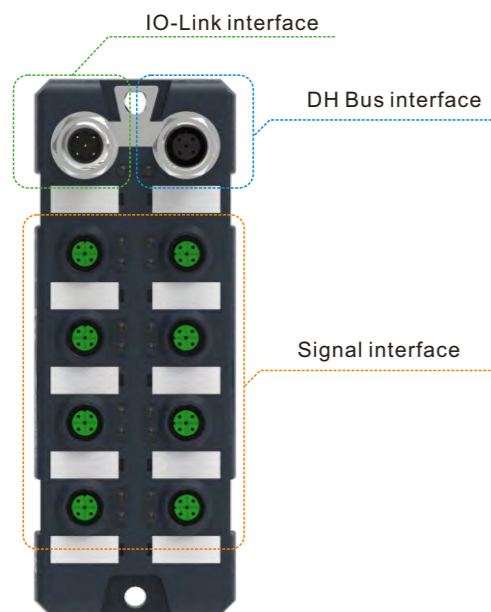
- DI: Digital Input (P: PNP; N: NPN)
- DO: Digital Output (P: PNP; N: NPN)
- AI: Analog Input (I: Current ; U: Voltage)
- AO: Analog Output (I: Current ; U: Voltage)
- RTD: Resistance Temperature Detector
- TC: Thermocouple signal

Category of data interface

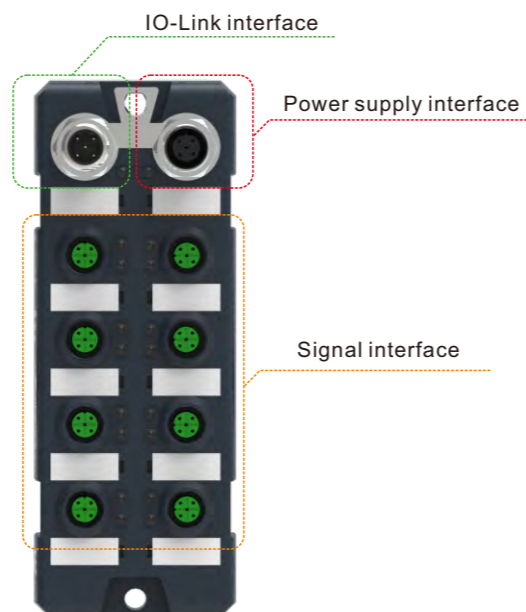
- IOLA: IO-Link Class A
- IOLB: IO-Link Class B
- DHB1: With 1 DH Bus extension port

Product Series

- DEGSON Fieldbus High performance IP67 I/O



IO-Link module with DH Bus interface



IO-Link module without DH Bus interface

IO-Link module

NO.	Order NO.	Data interfaces			Signal interfaces										
		IO-Link Class A	IO-Link Class B	DH Bus	DI-P	DO-P	DI-N	DO-N	AI-I	AO-I	AI-U	AO-U	RTD	TC	
1	DFH67-IOLA-DIO16P-M12-V1	•			16 (Configurable)										
2	DFH67-IOLA-DIO16N-M12-V1	•			16 (Configurable)										
3	DFH67-IOLA-DHB1-DIO16P-M12-V1	•		1	16 (Configurable)										
4	DFH67-IOLA-DHB1-DIO16N-M12-V1	•		1	16 (Configurable)										
5	DFH67-IOLA-DHB1-AI4I-AO4I-M12-V1	1*	•	1					4	4					
6	DFH67-IOLA-DHB1-AI4U-AO4U-M12-V1	1*	•	1							4	4			
7	DFH67-IOLA-DHB1-AI8I-M12-V1	1*	•	1					8						
8	DFH67-IOLA-DHB1-AI8U-M12-V1	1*	•	1							8				
9	DFH67-IOLA-DHB1-AI4I-M12-V1	1*	•	1					4						
10	DFH67-IOLA-DHB1-AI4U-M12-V1	1*	•	1							4				

1\*: This model requires less usage and has a longer lead time.

## DH Bus module

**DFH67-DHB-DIO16P-M12-V1**

Internal version

Signal interface specification

- M08
- M12

Category and quantity of signal interfaces

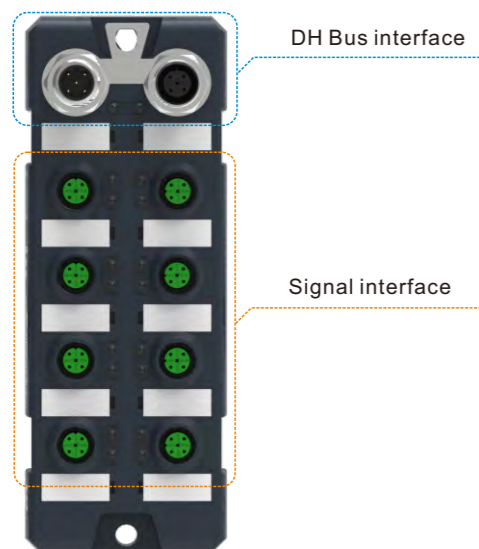
- DI: Digital Input (P: PNP; N: NPN)
- DO: Digital Output (P: PNP; N:NPN)
- AI: Analog Input (I: Current ; U: Voltage)
- AO: Analog Output (I: Current ; U: Voltage)
- RTD: Resistance Temperature Detector  
TC: Thermocouple signal

DH Bus interface

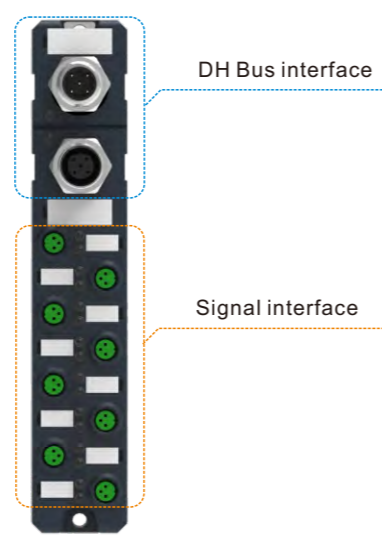
- DEGOSN High performance Bus

Product Series

DEGSON Fieldbus High performance IP67 I/O



DH Bus module for M12 signal interface



DH Bus module for M8 signal interface

## DH Bus module

NO.	Order NO.	Data interfaces			Signal interfaces											
		IO-Link Class A	IO-Link Class B	DH Bus	DI-P	DO-P	DI-N	DO-N	AI-I	AO-I	AI-U	AO-U	RTD	TC		
1	DFH67-DHB-DIO16P-M12-V1			•	16 (Configurable)											
2	DFH67-DHB-DIO16N-M12-V1			•			16 (Configurable)									
3	DFH67-DHB-DI16P-M12-V1			•	16											
4	DFH67-DHB-DI16N-M12-V1			•			16									
5	DFH67-DHB-DI8P-M08-V1			•	8											
6	DFH67-DHB-DI8N-M08-V1			•			8									
7	DFH67-DHB-DO16P-M12-V1			•		16										
8	DFH67-DHB-DO16N-M12-V1			•				16								
9	DFH67-DHB-DO8P-M08-V1			•		8										
10	DFH67-DHB-DO8N-M08-V1			•				8								
11	DFH67-DHB-DI8P-DO8P-M12-V1			•	8	8										
12	DFH67-DHB-DI8N-DO8N-M12-V1			•			8	8								
13	DFH67-DHB-DI4P-DO4P-M08-V1	1*		•	4	4										
14	DFH67-DHB-DI4N-DO4N-M08-V1	1*		•			4	4								
15	DFH67-DHB-AI8I-M12-V1			•					8							
16	DFH67-DHB-AI8U-M12-V1			•						8						
17	DFH67-DHB-AI4I-M12-V1			•					4							
18	DFH67-DHB-AI4U-M12-V1			•						4						
19	DFH67-DHB-AO4I-AO4U-M12-V1			•					4		4					
20	DFH67-DHB-AO8I-M12-V1	1*		•					8							
21	DFH67-DHB-AO8U-M12-V1	1*		•							8					
22	DFH67-DHB-AO4I-M12-V1	1*		•					4							
23	DFH67-DHB-AO4U-M12-V1	1*		•								4				
24	DFH67-DHB-AI4I-AO4I-M12-V1	1*		•				4	4							
25	DFH67-DHB-AI4U-AO4U-M12-V1	1*		•						4	4					
26	DFH67-DHB-RTD8-M12-V1			•										8		
27	DFH67-DHB-RTD4-M12-V1			•										4		
28	DFH67-DHB-TC8-M12-V1	1*		•											8	
29	DFH67-DHB-TC4-M12-V1	1*		•											4	

1\*: This model requires less usage and has a longer lead time.

## IO-Link Master



## PROFINET-RT PROTOCOL

## Features

- Designed according to IO-Link v1.1 specifications
- IO-Link master supports COM1/COM2/COM3
- IO-Link Interface supports Class-A or Class-B type
- Support DH BUS extension

## Ordering Data

Order No.	DFH67-PN-IOL2A4B-DHB2-V1	DFH67-PN-IOL6A-DHB2-V1	DFH67-PN-IOL8A-V1
Description	PROFINET-RT slave & IO-Link master 2* Class A + 4*Class B 2*DH BUS interface	PROFINET-RT slave & IO-Link master 6* Class A 2*DH BUS interface	PROFINET-RT slave & IO-Link master 8* Class A

## Fieldbus

Protocol	PROFINET-RT
Operation mode	Automatic negotiation ; Auto MDI/MDIX
Transmission speed	10/100 Mbps
IP allocation	Programming software configuration, or allocation by master
Topology	Yes
MRP	Yes

## Power Supply

Working voltage	24 VDC ( 18...30 VDC )
Current consumption	Max. 200mA
System and Input	Us , Max. 8A
Actuators	Ua , Max. 8A
Electrical isolation	Us/Ua : 24V isolated , 0V isolation

## Interface Type

Power supply	2 * L-code 5pin , Plug(input) + Socket(output)	
Fieldbus	2 * M12 D-code 4pin , Socket	
Signal	6 * M12 A-code 5pin , Socket	8 * M12 A-code 5pin , Socket
DH Bus interface	2 * M12 B-code 5pin , Socket	/
Number of DH Bus modules	Max. 32 (16 × 2)	/
Extension distance of DH Bus	Single chain passth: Max. 120m; Between adjacent modules: Max. 15m	/

## Electrical Parameters

IO-Link channels	6	6	8
Interface type	2*Class-A + 4*Class-B	6*Class-A	8*Class-A
IO-Link version	IO-Link V1.1		
Transmission speed	COM1 ( 4.8kbps ) , COM2 ( 38.4kbps ) , COM3 ( 230.4kbps )		

## IO-Link Master



## Ordering Data

Order No.	DFH67-PN-IOL2A4B-DHB2-V1	DFH67-PN-IOL6A-DHB2-V1	DFH67-PN-IOL8A-V1
-----------	--------------------------	------------------------	-------------------

## Electrical parameters

Signal type	DI/DO/IO-Link Configurable by software		
Number of inputs	Max. 8	Max. 12	Max. 16
Us current ( Pin1&Pin3 )	IO-Link interface : Max. 1.6A ; Signal interface: Max. 200mA		
Ua current ( Pin2&Pin5 )	Per channel : Max. 2A	/	
Input signal type	PNP type		
Input filter time	Max. 1.6ms		
Number of outputs	Max. 6	Max. 6	Max. 8
Output current	Per channel : Max. 2A		
Output signal type	PNP/NPN type(configurable)		
Output switch frequency	Resistive load : 100Hz ; Inductive load : 5Hz		

## Diagnostic

Communication Status	LED indication, Communication message
Power supply	Yes, Low voltage alarm
Short circuit/Overload	Yes, LED indication

## General data

Degree of protection	IP67
Temperature range	Operation temperature : -20~60 °C ; Storage temperature : -40~85 °C
Installation	2-hole fixing

## IO-Link Master


**EtherCAT PROTOCOL**
**Features**

- Designed according to IO-Link v1.1 specifications
- IO-Link master supports COM1/COM2/COM3
- IO-Link Interface supports Class-A or Class-B type
- Support DH BUS extension

**Ordering Data**

Order No.	DFH67-EC-IOL2A4B-DHB2-V1	DFH67-EC-IOL6A-DHB2-V1	DFH67-EC-IOL8A-V1
Description	EtherCAT slave & IO-Link master 2* Class A + 4*Class B 2*DH BUS interface	EtherCAT slave & IO-Link master 6* Class A 2*DH BUS interface	EtherCAT slave & IO-Link master 8* Class A

**Fieldbus**

Protocol	EtherCAT
Operation mode	Automatic negotiation ; Auto MDI/MDIX
Transmission speed	10/100 Mbps
IP allocation	System automatic allocation or DIP switch setting
Topology	Yes

**Power Supply**

Working voltage	24 VDC ( 18...30 VDC )
Current consumption	Max. 200mA
System and Input	Us , Max. 8A
Actuators	Ua , Max. 8A
Electrical isolation	Us/Ua : 24V isolated , 0V isolation

**Interface Type**

Power supply	2 * L-code 5pin , Plug(input) + Socket(output)	
Fieldbus	2 * M12 D-code 4pin , Socket	
Signal	6 * M12 A-code 5pin , Socket	8 * M12 A-code 5pin , Socket
DH Bus interface	2 * M12 B-code 5pin , Socket	/
Number of DH Bus modules	Max. 32 (16 * 2)	/
Extension distance of DH Bus	Single chain path: Max. 120m; Between adjacent modules: Max. 15m	

**Electrical Parameters**

IO-Link channels	6	6	8
Interface type	2*Class-A + 4*Class-B	6*Class-A	8*Class-A
IO-Link version	IO-Link V1.1		
Transmission speed	COM1 ( 4.8kbps ) , COM2 ( 38.4kbps ) , COM3 ( 230.4kbps )		

## IO-Link Master

**Ordering Data**

Order No.	DFH67-EC-IOL2A4B-DHB2-V1	DFH67-EC-IOL6A-DHB2-V1	DFH67-EC-IOL8A-V1
-----------	--------------------------	------------------------	-------------------

**Electrical parameters**

Signal type	DI/DO/IO-Link Configurable by software		
Number of inputs	Max. 8	Max. 12	Max. 16
Us current ( Pin1&Pin3 )	IO-Link interface : Max. 1.6A ; Signal interface: Max. 200mA		
Ua current ( Pin2&Pin5 )	Per channel : Max. 2A	/	
Input signal type	PNP type		
Input filter time	Max. 1.6ms		
Number of outputs	Max. 6	Max. 6	Max. 8
Output current	Per channel : Max. 2A		
Output signal type	PNP/NPN type(configurable)		
Output switch frequency	Resistive load : 100Hz ; Inductive load : 5Hz		

**Diagnostic**

Communication Status	LED indication, Communication message
Power supply	Yes, Low voltage alarm
Short circuit/Overload	Yes, LED indication

**General data**

Degree of protection	IP67
Temperature range	Operation temperature : -20~60 °C ; Storage temperature : -40~85 °C
Installation	2-hole fixing

## IO-Link Master


**CC-Link IE Field  
Basic PROTOCOL**
**Features**

- Designed according to IO-Link v1.1 specifications
- IO-Link master supports COM1/COM2/COM3
- IO-Link Interface supports Class-A or Class-B type
- Support DH BUS extension

**Ordering Data**

Order No.	DFH67-CLI-IOL2A4B-DHB2-V1	DFH67-CL-IOL6A-DHB2-V1	DFH67-CL-IOL8A-V1
Description	CC-Link IEFB slave & IO-Link master 2* Class A + 4*Class B 2*DH BUS interface	CC-Link IEFB slave & IO-Link master 6* Class A 2*DH BUS interface	CC-Link IEFB slave & IO-Link master 8* Class A

**Fieldbus**

Protocol	CC-Link IE Field Basic
Operation mode	Remote device station
Transmission speed	10/100 Mbps
IP allocation	Web server configuration or DIP switch setting
Topology	Yes

**Power Supply**

Working voltage	24 VDC ( 18...30 VDC )
Current consumption	Max. 200mA
System and Input	Us , Max. 8A
Actuators	Ua , Max. 8A
Electrical isolation	Us/Ua : 24V isolated , 0V isolation

**Interface Type**

Power supply	2 * L-code 5pin , Plug(input) + Socket(output)	
Fieldbus	2 * M12 D-code 4pin , Socket	
Signal	6 * M12 A-code 5pin , Socket	8 * M12 A-code 5pin , Socket
DH Bus interface	2 * M12 B-code 5pin , Socket	/
Number of DH Bus modules	Max. 32 (16 * 2)	/
Extension distance of DH Bus	Single chain path: Max. 120m; Between adjacent modules: Max. 15m	

**Electrical Parameters**

IO-Link channels	6	6	8
Interface type	2*Class-A + 4*Class-B	6*Class-A	8*Class-A
IO-Link version	IO-Link V1.1		
Transmission speed	COM1 ( 4.8kbps ) , COM2 ( 38.4kbps ) , COM3 ( 230.4kbps )		

## IO-Link Master

**Ordering Data**

Order No.	DFH67-CLI-IOL2A4B-DHB2-V1	DFH67-CL-IOL6A-DHB2-V1	DFH67-CL-IOL8A-V1
-----------	---------------------------	------------------------	-------------------

**Electrical parameters**

Signal type	DI/DO/IO-Link Configurable by software		
Number of inputs	Max. 8	Max. 12	Max. 16
Us current ( Pin1&Pin3 )	IO-Link interface : Max. 1.6A ; Signal interface: Max. 200mA		
Ua current ( Pin2&Pin5 )	Per channel : Max. 2A	/	
Input signal type	PNP type		
Input filter time	Max. 1.6ms		
Number of outputs	Max. 6	Max. 6	Max. 8
Output current	Per channel : Max. 2A		
Output signal type	PNP/NPN type(configurable)		
Output switch frequency	Resistive load : 100Hz ; Inductive load : 5Hz		

**Diagnostic**

Communication Status	LED indication, Communication message
Power supply	Yes, Low voltage alarm
Short circuit/Overload	Yes, LED indication

**General data**

Degree of protection	IP67
Temperature range	Operation temperature : -20~60 °C ; Storage temperature : -40~85 °C
Installation	2-hole fixing



## IO-Link Master



## EtherNet/IP PROTOCOL

## Features

- Designed according to IO-Link v1.1 specifications
- IO-Link master supports COM1/COM2/COM3
- IO-Link Interface supports Class-A or Class-B type
- Support DH BUS extension

## Ordering Data

Order No.	DFH67-EIP-IOL2A4B-DHB2-V1	DFH67-EIP-IOL6A-DHB2-V1	DFH67-EIP-IOL8A-V1
Description	EtherNet/IP slave & IO-Link master 2* Class A + 4*Class B 2*DH BUS interface	EtherNet/IP slave & IO-Link master 6* Class A 2*DH BUS interface	EtherNet/IP slave & IO-Link master 8* Class A

## Fieldbus

Protocol	EtherNet/IP
Operation mode	Automatic negotiation ; Auto MDI/MDIX
Transmission speed	10/100 Mbps
IP allocation	Web server configuration or DIP switch setting
Topology	Yes

## Power Supply

Working voltage	24 VDC ( 18...30 VDC )
Current consumption	Max. 200mA
System and Input	Us , Max. 8A
Actuators	Ua , Max. 8A
Electrical isolation	Us/Ua : 24V isolated , 0V isolation

## Interface Type

Power supply	2 * L-code 5pin , Plug(input) + Socket(output)	
Fieldbus	2 * M12 D-code 4pin , Socket	
Signal	6 * M12 A-code 5pin , Socket	8 * M12 A-code 5pin , Socket
DH Bus interface	2 * M12 B-code 5pin , Socket	/
Number of DH Bus modules	Max. 32 (16 × 2)	/
Extension distance of DH Bus	Single chain path: Max. 120m; Between adjacent modules: Max. 15m	/

## Electrical Parameters

IO-Link channels	6	6	8
Interface type	2*Class-A + 4*Class-B	6*Class-A	8*Class-A
IO-Link version	IO-Link V1.1		
Transmission speed	COM1 ( 4.8kbps ) , COM2 ( 38.4kbps ) , COM3 ( 230.4kbps )		

## IO-Link Master



## Ordering Data

Order No.	DFH67-EIP-IOL2A4B-DHB2-V1	DFH67-EIP-IOL6A-DHB2-V1	DFH67-EIP-IOL8A-V1
-----------	---------------------------	-------------------------	--------------------

## Electrical parameters

Signal type	DI/DO/IO-Link Configurable by software		
Number of inputs	Max. 8	Max. 12	Max. 16
Us current ( Pin1&Pin3 )	IO-Link interface : Max. 1.6A ; Signal interface: Max. 200mA		
Ua current ( Pin2&Pin5 )	Per channel : Max. 2A	/	
Input signal type	PNP type		
Input filter time	Max. 1.6ms		
Number of outputs	Max. 6	Max. 6	Max. 8
Output current	Per channel : Max. 2A		
Output signal type	PNP/NPN type(configurable)		
Output switch frequency	Resistive load : 100Hz ; Inductive load : 5Hz		

## Diagnostic

Communication Status	LED indication, Communication message
Power supply	Yes, Low voltage alarm
Short circuit/Overload	Yes, LED indication

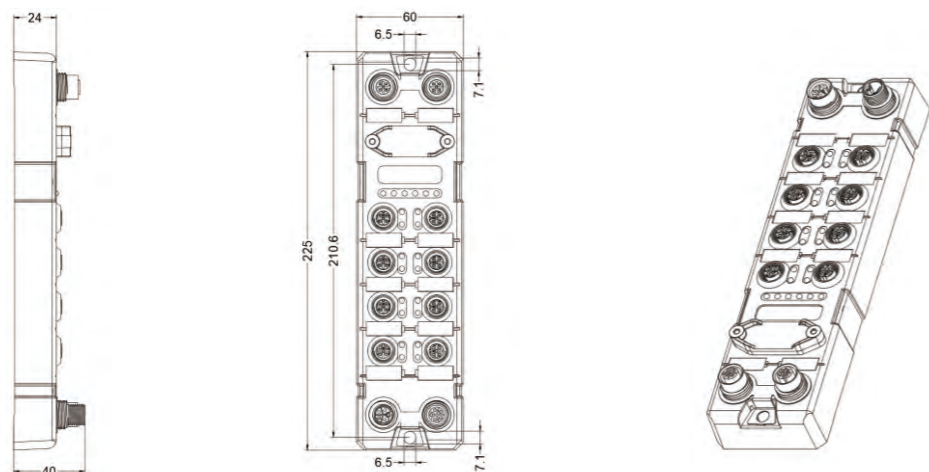
## General data

Degree of protection	IP67
Temperature range	Operation temperature : -20~60 °C ; Storage temperature : -40~85 °C
Installation	2-hole fixing

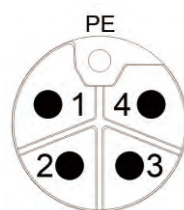
## IO-Link Master

## Dimension

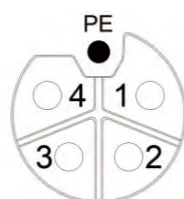
## M12-MASTER



## Power supply interface

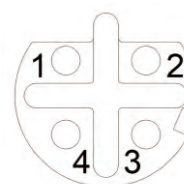


**Power supply L-code plug ( Metal ) - PWR1**  
 1-System and signal power supply Us+  
 2-Actuator Power supply Ua-  
 3-System and signal power supply Us-  
 4-Actuator Power supply Ua+  
 5-PE-Protective grounding PE

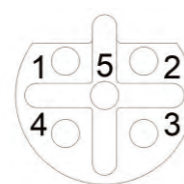


**Power supply L-code socket ( Metal ) - PWR2**

## Fieldbus &amp; DH BUS interface



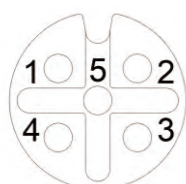
**Fieldbus interface D-code socket (Metal) - ETH1/ETH2**  
 1-Transmitter Tx+  
 2-Receiver Rx+  
 3-Transmitter Tx-  
 4-Receiver Rx-



**DH Bus B-code socket ( Black ) - D01/D02**  
 1-Power supply 24V+  
 2-Data signal A  
 3-Data signal B  
 4-Power supply GND  
 5-ADR 1

## IO-Link interface

## M12 A-code socket (Green)



**IO-Link Class-A interface (Green)**  
 1-Power supply 24V+  
 2-Digital Input/Output  
 3-Power supply GND  
 4-IO-Link C/Q  
 5-Protective grounding PE

**IO-Link Class-B interface (Green)**  
 1-Power supply 24V+  
 2-Actuator power supply P24  
 3-Power supply GND  
 4-IO-Link C/Q  
 5-Actuator power supply N24

## IO-Link digital device



## Features

- Input/Output photoelectric isolation
- Input or Output configurable
- Overvoltage and short circuit protection function
- Designed according to IO-Link v1.1 specifications ,  
 Communication rate : COM2

## Ordering Data

Order No.	DFH67-IOLA-DHB1-DIO16P-M12-V1	DFH67-IOLA-DHB1-DIO16N-M12-V1
Description	16 DI/DO , PNP , 8*M12	16 DI/DO , NPN , 8*M12

## Interface type

IO-Link interface	1 * M12 A-code 4pin Plug
DH Bus interface	1 * M12 B-code 5pin Socket
Power	IO Link interface power supply : 24V, 1.6A
Signal	8 * M12 A-code 5pin , Socket

## Electrical parameters

Supply Voltage	24 VDC (18...30V)	
Current consumption	Max. 50mA	
Number of inputs	Max. 16 , PNP type	Max. 16 , NPN type
Input signal type	Sensor, Limit switch, Contact, etc	
Input filter time	Max. 2ms	
Number of outputs	Max. 16 , PNP type	Max. 16 , NPN type
Output signal type	Actuators, Indicator lights, Mini electromagnetic valves, etc	
Output current	Per channel : Max. 0.3A , Total : Max. 1.5A	
Output switch frequency	Resistive load : 100Hz ; Inductive load : 5Hz	
Extending capability	Up to 3 DH BUS extension modules (up to 1 analog or temperature module) , Total length not exceeding 60m	

## IO-Link parameters

Interface type	CLASS A
IO-Link version	IO-Link V1.1
Transmission speed	COM2 ( 38.4kbps )
Process data	2 input bytes, 2 output bytes

## Diagnostic

Communication Status	LED indication, Communication message
Power supply	Yes, Low voltage alarm
Short circuit/Overload	Yes, LED indication

## General data

Degree of protection	IP67
Temperature range	Operation temperature : -20~60 °C ; Storage temperature : -40~85 °C
Installation	2-hole fixing

## IO-Link digital device



## Features

- Input/Output photoelectric isolation
- Input or Output configurable
- Overvoltage and short circuit protection function
- Designed according to IO-Link v1.1 specifications ,  
Communication rate : COM2

## Ordering Data

Order No.	DFH67-IOLA-DIO16P-M12-V1	DFH67-IOLA-DIO16N-M12-V1
Description	16 DI/DO , PNP , 8*M12	16 DI/DO , NPN , 8*M12

## Interface type

IO-Link interface	1 * M12 A-code 4pin Plug
Power	1 * M12 L-code 5pin Plug : 24V , 8A
Signal	8 * M12 A-code 5pin , Socket

## Electrical parameters

Supply Voltage	24 VDC (18...30V)	
Current consumption	Max. 50mA	
Number of inputs	Max. 16 , PNP type	Max. 16 , NPN type
Input signal type	Sensor, Limit switch, Contact, etc	
Input filter time	Max. 2ms	
Number of outputs	Max. 16 , PNP type	Max. 16 , NPN type
Output signal type	Actuators, Indicator lights, Mini electromagnetic valves, etc	
Output current	Per channel : Max. 0.5A , Total : Max. 8A	
Output switch frequency	Resistive load : 100Hz ; Inductive load : 5Hz	
Extending capability	No	

## IO-Link parameters

Interface type	CLASS A
IO-Link version	IO-Link V1.1
Transmission speed	COM2 ( 38.4kbps )
Process data	2 input bytes, 2 output bytes

## Diagnostic

Communication Status	LED indication, Communication message
Power supply	Yes, Low voltage alarm
Short circuit/Overload	Yes, LED indication

## General data

Degree of protection	IP67
Temperature range	Operation temperature : -20-60 °C ; Storage temperature : -40-85 °C
Installation	2-hole fixing

## IO-Link analog device



## Features

- Resolution : 16 bit
- Interface type : Class-A
- Designed according to IO-Link v1.1 specifications ,  
Communication rate : COM2

## Ordering Data

Order No.	DFH67-IOLA-DHB1-AI4I-AO4I-M12-V1	DFH67-IOLA-DHB1-AI4U-AO4U-M12-V1
Description	4 AI+4AO , Current type , 8*M12	4 AI+4AO , Voltage type , 8*M12

## Interface type

IO-Link interface	1 * M12 A-code 4pin Plug
DH Bus interface	1 * M12 B-code 5pin Socket
Power	IO Link interface power supply : 24V, 1.6A
Signal	8 * M12 A-code 5pin , Socket

## Electrical parameters

Supply Voltage	24 VDC (18...30V)	
Current consumption	Max. 50mA	
Number of inputs	4	
Input signal type	4AI ( 0-20mA , First 4 channels )	4AI ( ±10V , First 4 channels )
Input impedance	< 450Ω	> 1kΩ
Number of outputs	4	
Output signal type	4AO ( 0-20mA , Last 4 channels )	4AO ( ±10V , Last 4 channels )
Resolution	16Bit	
Conversion time	Max. 300us	
Precision	± 0.3%	
Extending capability	Up to 3 DH BUS extension modules (up to 1 analog or temperature module) , Total length not exceeding 60m	

## IO-Link parameters

Interface type	CLASS A
IO-Link version	IO-Link V1.1
Transmission speed	COM2 ( 38.4kbps )
Process data	8 input bytes, 8 output bytes

## Diagnostic

Communication Status	LED indication, Communication message
Power supply	Yes, Low voltage alarm
Short circuit/Overload	Yes, LED indication

## General data

Degree of protection	IP67
Temperature range	Operation temperature : -20-60 °C ; Storage temperature : -40-85 °C
Installation	2-hole fixing


**Features**

- Designed according to IO-Link v1.1 specifications , Communication rate : COM2
- Interface type : Class-A

**Ordering Data**

Order No.	DFH67-IOLA-DHB1-AI4I-M12-V1	DFH67-IOLA-DHB1-AI4U-M12-V1	DFH67-IOLA-DHB1-AI8I-M12-V1	DFH67-IOLA-DHB1-AI8U-M12-V1
Description	4 AI , Current type , 8*M12	4 AI , Voltage type , 8*M12	8 AI , Current type , 8*M12	8 AI , Voltage type , 8*M12

**Interface type**

IO-Link interface	1 * M12 A-code 4pin Plug
DH Bus interface	1 * M12 B-code 5pin Socket
Power	IO Link interface power supply : 24V, 1.6A
Signal	8 * M12 A-code 5pin , Socket

**Electrical parameters**

Supply Voltage	24 VDC (18...30V)			
Current consumption	Max. 50mA			
Number of inputs	4 ( First 4 channels )		8	
Input signal type	0~20mA	±10V	0~20mA	±10V
Input impedance	Current input : 250Ω ; Voltage input : 1MΩ			
Resolution	16Bit			
Conversion time	Max. 300us			
Precision	± 0.3%			
Extending capability	Up to 3 DH BUS extension modules (up to 1 analog or temperature module) , Total length not exceeding 60m			

**IO-Link parameters**

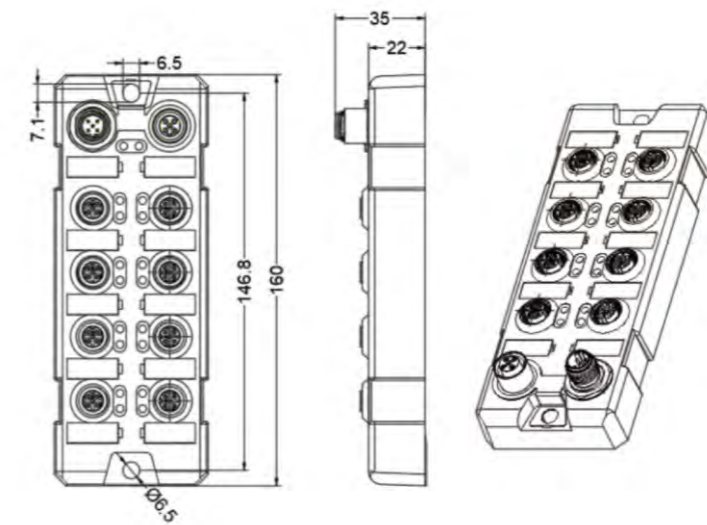
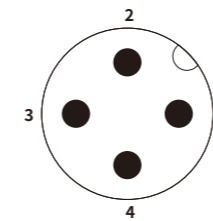
Interface type	CLASS A	
IO-Link version	IO-Link V1.1	
Transmission speed	COM2 ( 38.4kbps )	
Process data	8 input bytes	16 input bytes

**Diagnostic**

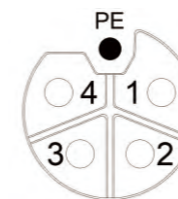
Communication Status	LED indication, Communication message
Power supply	Yes, Low voltage alarm
Short circuit/Overload	Yes, LED indication

**General data**

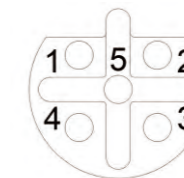
Degree of protection	IP67
Temperature range	Operation temperature : -20~60 °C ; Storage temperature : -40~85 °C
Installation	2-hole fixing

**Dimension**

**IO-Link interface**


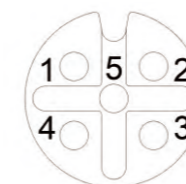
- IO-Link Class - A Plug (Metal)**
- 1-Power supply 24V+
  - 2-NC
  - 3-Power supply GND
  - 4-IO-Link C/Q

**Power supply interface / DH Bus interface**


- Power supply L-code plug ( Metal ) - PWR1**
- 1-System and signal power supply Us+
  - 2-Actuator Power supply Ua-
  - 3-System and signal power supply Us-
  - 4-Actuator Power supply Ua+
  - 5-PE-Protective grounding PE



- DH Bus B-code socket ( Metal ) - BUS1**
- 1-Power supply 24V+
  - 2-Data signal A
  - 3-Data signal B
  - 4-Power supply GND
  - 5-ADR 1

**M12 Input/Output**


- Digital signal interface M12 A-code socket (Green)**
- 1-Power supply 24V+
  - 2-Digital Input/Output B
  - 3-Power supply GND
  - 4-Digital Input/Output A
  - 5-Protective grounding PE

- Analog/Temperature signal interface M12 A-code socket (Green)**
- 1- a-
  - 2- A-
  - 3- NC
  - 4- A+
  - 5- NC


**PROFINET-RT PROTOCOL**
**Features**

- Advanced diagnostic function
- Fieldbus and Power adopt isolation technology and are reliable
- Supports 2 chain path; Max. 32 modules(16×2)
- Standalone configuration file
- Support DH BUS extension

Ordering Data		
Order No.	DFH67-PN-DI12P-DHB2-V1	DFH67-PN-DI12N-DHB2-V1
Description	PROFINET-RT protocol 6*A-Code 12DI , PNP type 2*B-Code DH BUS interface	PROFINET-RT protocol 6*A-Code 12DI , NPN type 2*B-Code DH BUS interface
Fieldbus		
Protocol	PROFINET-RT	
Operation mode	Automatic negotiation ; Auto MDI/MDIX	
Transmission speed	10/100 Mbps	
IP allocation	Programming software configuration , or allocation by master	
Power Supply		
Working voltage	24 VDC ( 18...30 VDC )	
Current consumption	Max. 200 mA	
System and Input	Us , Max. 8A	
Actuators	Ua , Max. 8A	
DH Bus interface power supply	Current of each DH Bus interface : Max. 4A	
Electrical isolation	Module/Input power supply Ui and Output power supply Uo : 24V isolated , 0V connected	
Interface Type		
Power supply	2 * M12 L-code 5pinPlug(input) + Socket(output)	
Fieldbus	2 * M12 D-code 4pin , Socket	
Signal	6 * M12 A-code 5pin , Socket	
DH Bus interface	2 * M12 B-code 5pin , Socket	
Number of DH Bus modules	Max. 32 (16 × 2)	
Extension distance of DH Bus	Single chain path: Max. 120m; Between adjacent modules: Max. 15m	

Ordering Data		
Order No.	DFH67-PN-DI12P-DHB2-V1	DFH67-PN-DI12N-DHB2-V1
Electrical parameters		
Number and type of I/O	12DI PNP	12DI NPN
Input power supply current	Per channel : Max. 200mA	
Input filter time	Max. 10ms	
Diagnostic		
Communication Status	LED indication, Communication message	
Power supply	Yes, Low voltage alarm	
Short circuit/Overload	Yes, LED indication	
Extension	LED indication	
General data		
Degree of protection	IP67	
Temperature range	Operation temperature : -20~60 °C ; Storage temperature : -40~85 °C	
Installation	2-hole fixing	



## Fieldbus interface module


**EtherCAT PROTOCOL**
**Features**

- Advanced diagnostic function
- Fieldbus and Power adopt isolation technology and are reliable
- Supports 2 chain path; Max. 32 modules(16×2)
- Standalone configuration file
- Support DH BUS extension

Ordering Data		
Order No.	DFH67-EC-DI12P-DHB2-V1	DFH67-EC-DI12N-DHB2-V1
Description	EtherCAT protocol 6*A-Code 12DI , PNP type 2*B-Code DH BUS interface	EtherCAT protocol 6*A-Code 12DI , NPN type 2*B-Code DH BUS interface
Fieldbus		
Protocol	EtherCAT	
Operation mode	Automatic negotiation ; Auto MDI/MDIX	
Transmission speed	10/100 Mbps	
IP allocation	System automatic allocation or DIP switch setting	
Power Supply		
Working voltage	24 VDC ( 18...30 VDC )	
Current consumption	Max. 200 mA	
System and Input	Us , Max. 8A	
Actuators	Ua , Max. 8A	
DH Bus interface power supply	Current of each DH Bus interface : Max. 4A	
Electrical isolation	Module/Input power supply Ui and Output power supply Uo : 24V isolated , 0V connected	
Interface Type		
Power supply	2 * M12 L-code 5pinPlug(input) + Socket(output)	
Fieldbus	2 * M12 D-code 4pin , Socket	
Signal	6 * M12 A-code 5pin , Socket	
DH Bus interface	2 * M12 B-code 5pin , Socket	
Number of DH Bus modules	Max. 32 (16 × 2)	
Extension distance of DH Bus	Single chain path: Max. 120m; Between adjacent modules: Max. 15m	

## Fieldbus interface module

Ordering Data		
Order No.	DFH67-EC-DI12P-DHB2-V1	DFH67-EC-DI12N-DHB2-V1
Electrical parameters		
Number and type of I/O	12DI PNP	12DI NPN
Input power supply current	Per channel : Max. 200mA	
Input filter time	Max. 1.6ms	
Diagnostic		
Communication Status	LED indication, Communication message	
Power supply	Yes, Low voltage alarm	
Short circuit/Overload	Yes, LED indication	
Extension	LED indication	
General data		
Degree of protection	IP67	
Temperature range	Operation temperature : -20~60 °C ; Storage temperature : -40~85 °C	
Installation	2-hole fixing	

## Fieldbus interface module



CC-Link IE Field Basic PROTOCOL

**Features**

- Advanced diagnostic function
- Fieldbus and Power adopt isolation technology and are reliable
- Supports 2 chain path; Max. 32 modules(16×2)
- Support DH BUS extension
- Input or Output configurable

Ordering Data		
Order No.	DFH67-CLI-DIO12P-DHB2-V1	DFH67-CLI-DIO12N-DHB2-V1
Description	CC-Link IE Field Basic protocol 6*A-Code 12DI/DO(configurable) , PNP type 2*B-Code DH BUS interface	CC-Link IE Field Basic protocol 6*A-Code 12DI/DO(configurable) , NPN type 2*B-Code DH BUS interface
Fieldbus		
Protocol	CC-Link IE Field Basic	
Operation mode	Automatic negotiation ; Auto MDI/MDIX	
Transmission speed	10/100 Mbps	
IP allocation	Web server configuration or DIP switch setting	
Power Supply		
Working voltage	24 VDC ( 18...30 VDC )	
Current consumption	Max. 200 mA	
System and Input	Us , Max. 8A	
Actuators	Ua , Max. 8A	
DH Bus interface power supply	Current of each DH Bus interface : Max. 4A	
Electrical isolation	Module/Input power supply Ui and Output power supply Uo : 24V isolated , 0V connected	
Interface Type		
Power supply	2 * M12 L-code 5pinPlug(input) + Socket(output)	
Fieldbus	2 * M12 D-code 4pin , Socket	
Signal	6 * M12 A-code 5pin , Socket	
DH Bus interface	2 * M12 B-code 5pin , Socket	
Number of DH Bus modules	Max. 32 (16 × 2)	
Extension distance of DH Bus	Single chain path: Max. 120m; Between adjacent modules: Max. 15m	

## Fieldbus interface module

Ordering Data		
Order No.	DFH67-CLI-DIO12P-DHB2-V1	DFH67-CLI-DIO12N-DHB2-V1
Electrical parameters		
Number and type of I/O	12DI/DO(configurable) , PNP type	12DI/DO(configurable) , NPN type
Input power supply current	Per channel : Max. 200mA	
Input filter time	Max. 10ms	
Diagnostic		
Communication Status	LED indication, Communication message	
Power supply	Yes, Low voltage alarm	
Short circuit/Overload	Yes, LED indication	
Extension	LED indication	
General data		
Degree of protection	IP67	
Temperature range	Operation temperature : -20~60 °C ; Storage temperature : -40~85 °C	
Installation	2-hole fixing	



EtherNet/IP PROTOCOL

**Features**

- Advanced diagnostic function
- Fieldbus and Power adopt isolation technology and are reliable
- Supports 2 chain path; Max. 32 modules(16×2)
- Standalone configuration file
- Support DH BUS extension
- Input or Output configurable

Ordering Data		
Order No.	DFH67-EIP-DIO12P-DHB2-V1	DFH67-EIP-DIO12N-DHB2-V1
Description	EtherNet/IP protocol 6*A-Code 12DI/DO(configurable) , PNP type 2*B-Code DH BUS interface	EtherNet/IP protocol 6*A-Code 12DI/DO(configurable) , NPN type 2*B-Code DH BUS interface
Fieldbus		
Protocol	EtherNet/IP	
Operation mode	Automatic negotiation ; Auto MDI/MDIX	
Transmission speed	10/100 Mbps	
IP allocation	Web server configuration or DIP switch setting	
Power Supply		
Working voltage	24 VDC ( 18...30 VDC )	
Current consumption	Max. 200 mA	
System and Input	Us , Max. 8A	
Actuators	Ua , Max. 8A	
DH Bus interface power supply	Current of single chain path : Max. 4A	
Electrical isolation	Module/Input power supply Ui and Output power supply Uo : 24V isolated , 0V connected	
Interface Type		
Power supply	2 * M12 L-code 5pinPlug(input) + Socket(output)	
Fieldbus	2 * M12 D-code 4pin , Socket	
Signal	6 * M12 A-code 5pin , Socket	
DH Bus interface	2 * M12 B-code 5pin , Socket	
Number of DH Bus modules	Max. 32 (16 × 2)	
Extension distance of DH Bus	Single chain path: Max. 120m; Between adjacent modules: Max. 15m	

Ordering Data		
Order No.	DFH67-EIP-DIO12P-DHB2-V1	DFH67-EIP-DIO12N-DHB2-V1
Electrical parameters		
Number and type of I/O	12DI/DO(configurable) , PNP type	12DI/DO(configurable) , NPN type
Input power supply current	Per channel : Max. 200mA	
Input filter time	Max. 20ms	
Diagnostic		
Communication Status	LED indication, Communication message	
Power supply	Yes, Low voltage alarm	
Short circuit/Overload	Yes, LED indication	
Extension	LED indication	
General data		
Degree of protection	IP67	
Temperature range	Operation temperature : -20~60 °C ; Storage temperature : -40~85 °C	
Installation	2-hole fixing	


**Features**

- Advanced diagnostic function
- Fieldbus and Power adopt isolation technology and are reliable
- Supports 2 chain path; Max. 32 modules(16×2)
- Standalone configuration file
- Support DH BUS extension
- Input or Output configurable

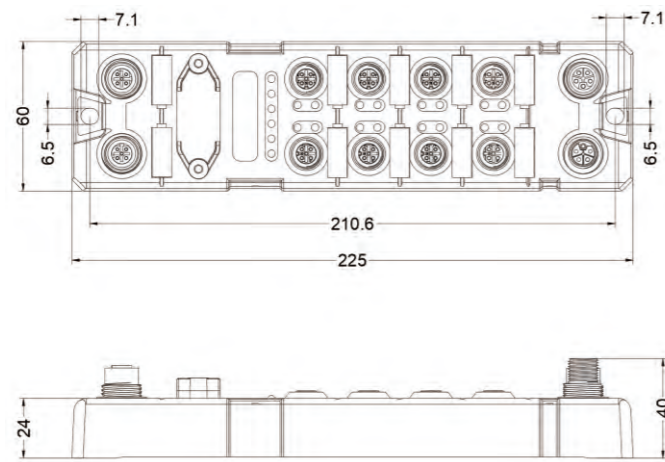
**Modbus-TCP PROTOCOL**

Ordering Data		
Order No.	DFH67-MT-DIO12P-DHB2-V1	DFH67-MT-DIO12N-DHB2-V1
Description	Modbus-TCP protocol 6*A-Code 12DI/DO(configurable) , PNP type 2*B-Code DH BUS interface	Modbus-TCP protocol 6*A-Code 12DI/DO(configurable) , NPN type 2*B-Code DH BUS interface
Fieldbus		
Protocol	Modbus-TCP	
Operation mode	Automatic negotiation ; Auto MDI/MDIX	
Transmission speed	10/100 Mbps	
IP allocation	Web server configuration or DIP switch setting	
Power Supply		
Working voltage	24 VDC ( 18...30 VDC )	
Current consumption	Max. 200 mA	
System and Input	Us , Max. 8A	
Actuators	Ua , Max. 8A	
DH Bus interface power supply	Current of single chain path : Max. 4A	
Electrical isolation	Module/Input power supply Ui and Output power supply Uo : 24V isolated , 0V connected	
Interface Type		
Power supply	2 * M12 L-code 5pinPlug(input) + Socket(output)	
Fieldbus	2 * M12 D-code 4pin , Socket	
Signal	6 * M12 A-code 5pin , Socket	
DH Bus interface	2 * M12 B-code 5pin , Socket	
Number of DH Bus modules	Max. 32 (16 × 2)	
Extension distance of DH Bus	Single chain path: Max. 120m; Between adjacent modules: Max. 15m	

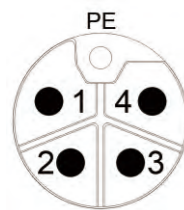
Ordering Data		
Order No.	DFH67-MT-DIO12P-DHB2-V1	DFH67-MT-DIO12N-DHB2-V1
Electrical parameters		
Number and type of I/O	12DI/DO(configurable) , PNP type	12DI/DO(configurable) , NPN type
Input power supply current	Per channel : Max. 200mA	
Input filter time	Max. 20ms	
Diagnostic		
Communication Status	LED indication, Communication message	
Power supply	Yes, Low voltage alarm	
Short circuit/Overload	Yes, LED indication	
Extension	LED indication	
General data		
Degree of protection	IP67	
Temperature range	Operation temperature : -20~60 °C ; Storage temperature : -40~85 °C	
Installation	2-hole fixing	

## Fieldbus interface module

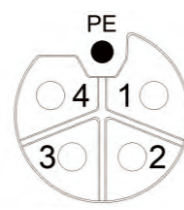
## Dimension



## Power supply interface

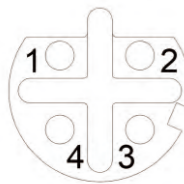


**Power supply L-code plug ( Metal ) - PWR1**  
 1-System and signal power supply Us+  
 2-Actuator Power supply Ua-  
 3-System and signal power supply Us-  
 4-Actuator Power supply Ua+  
 5-PE-Protective grounding PE

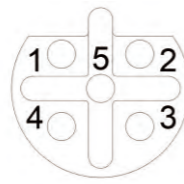


**Power supply L-code socket ( Metal ) - PWR2**

## Fieldbus &amp; DH BUS interface

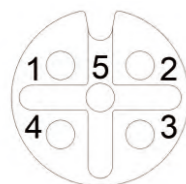


**Fieldbus interface D-code socket(Metal) - ETH1/ETH2**  
 1-Transmitter Tx+  
 2-Receiver Rx+  
 3-Transmitter Tx-  
 4-Receiver Rx-



**DH Bus B-code socket ( Black ) - D01/D02**  
 1-Power supply 24V+  
 2-Data signal A  
 3-Data signal B  
 4-Power supply GND  
 5-ADR 1

## I/O signal interface



**I/O signal interface M12 A-code socket (Green)**  
 1-Power supply 24V+  
 2-Digital Input/Output B  
 3-Power supply GND  
 4-Digital Input/Output A  
 5-Protective grounding PE

## DH BUS extension module



## Features

- Input/Output photoelectric isolation
- Hardware filtering time 500us
- Output photoelectric isolation
- Overvoltage and short circuit protection function
- DH BUS and Channel adopt isolation technology and are reliable

## 16 digital inputs module

Ordering Data	
Order No.	DFH67-DHB-DI16P-M12-V1      DFH67-DHB-DI16N-M12-V1
Description	16DI , PNP , 8*M12      16DI , NPN , 8*M12
Interface type	
DH Bus	2 * M12 B-code 5pin Plug(input) + Socket(output)
Power	DH Bus interface includes power supply
Signal	8 * M12 A-code 5pin , Socket
Electrical parameters	
Supply Voltage	24 VDC (18...30V)
Current consumption	Max. 50mA
Number of inputs	16
Input power supply current	Per channel : Max. 200mA
Input signal type	PNP type Sensors, Limit switch, Contact, etc      NPN type Sensors, Limit switch, Contact, etc
Input filter time	Max. 2ms
Number of outputs	/
Output current	/
Output signal type	/
Output switch frequency	/
Diagnostic	
Communication Status	LED indication, Communication message
Power supply	Yes, Low voltage alarm
Short circuit/Overload	Yes, LED indication
General data	
Degree of protection	IP67
Temperature range	Operation temperature : -20~60 °C ; Storage temperature : -40~85 °C
Installation	2-hole fixing




**Features**

- Input/Output photoelectric isolation
- Hardware filtering time 500us
- Output photoelectric isolation
- Overvoltage and short circuit protection function
- DH BUS and Channel adopt isolation technology and are reliable

**16 digital outputs module**

Ordering Data		
Order No.	DFH67-DHB-DO16P-M12-V1	DFH67-DHB-DO16N-M12-V1
Description	16DO , PNP , 8*M12	16DO , NPN , 8*M12
Interface type		
DH Bus	2 * M12 B-code 5pin Plug(input) + Socket(output)	
Power	DH Bus interface includes power supply	
Signal	8 * M12 A-code 5pin , Socket	
Electrical parameters		
Supply Voltage	24 VDC (18...30V)	
Current consumption	Max. 50mA	
Number of inputs	/	
Input power supply current	/	
Input signal type	/	
Input filter time	/	
Number of outputs	16	
Output current	Per channel : Max. 0.5A	
Output signal type	PNP type, actuator, Indicator, etc	NPN type, actuator, Indicator, etc
Output switch frequency	Resistive load : 100Hz, Inductive load : 5Hz	
Diagnostic		
Communication Status	LED indication, Communication message	
Power supply	Yes, Low voltage alarm	
Short circuit/Overload	Yes, LED indication	
General data		
Degree of protection	IP67	
Temperature range	Operation temperature : -20~60 °C ; Storage temperature : -40~85 °C	
Installation	2-hole fixing	


**Features**

- Input/Output photoelectric isolation
- Hardware filtering time 500us
- Output photoelectric isolation
- Overvoltage and short circuit protection function
- DH BUS and Channel adopt isolation technology and are reliable

**8 digital inputs + 8 digital outputs module**

Ordering Data		
Order No.	DFH67-DHB-DI8P-DO8P-M12-V1	DFH67-DHB-DI8N-DO8N-M12-V1
Description	8DI+8DO,PNP,8*M12	8DI+8DO,NPN,8*M12
Interface type		
DH Bus	2 * M12 B-code 5pin Plug(input) + Socket(output)	
Power	DH Bus interface includes power supply	
Signal	8 * M12 A-code 5pin , Socket	
Electrical parameters		
Supply Voltage	24 VDC (18...30V)	
Current consumption	Max. 50mA	
Number of inputs	8	
Input power supply current	Per channel : Max. 200mA	
Input signal type	PNP type Sensors, Limit switch, Contact, etc	NPN type Sensors, Limit switch, Contact, etc
Input filter time	Max. 2ms	
Number of outputs	8	
Output current	Per channel : Max. 0.5A	
Output signal type	PNP type, actuator, Indicator, etc	NPN type, actuator, Indicator, etc
Output switch frequency	Resistive load : 100Hz, Inductive load : 5Hz	
Diagnostic		
Communication Status	LED indication, Communication message	
Power supply	Yes, Low voltage alarm	
Short circuit/Overload	Yes, LED indication	
General data		
Degree of protection	IP67	
Temperature range	Operation temperature : -20~60 °C ; Storage temperature : -40~85 °C	
Installation	2-hole fixing	


**Features**

- Input photoelectric isolation
- Hardware filtering time 500us
- Overvoltage and short circuit protection function
- DH BUS and Channel adopt isolation technology and are reliable

**8 digital inputs module**

Ordering Data	
Order No.	DFH67-DHB-DI8P-M08-V1      DFH67-DHB-DI8N-M08-V1
Description	8DI , PNP , 8*M8      8DI , NPN , 8*M8
Interface type	
DH Bus	2 * M12 B-code 5pin Plug(input) + Socket(output)
Power	DH Bus interface includes power supply
Signal	8 * M8 A-code 3pin , Socket
Electrical parameters	
Supply Voltage	24 VDC (18...30V)
Current consumption	Max. 50mA
Number of inputs	8
Input power supply current	Per channel : Max. 200mA
Input signal type	PNP type Sensors, Limit switch, Contact, etc      NPN type Sensors, Limit switch, Contact, etc
Input filter time	Max. 2ms
Number of outputs	/
Output current	/
Output signal type	/
Output switch frequency	/
Diagnostic	
Communication Status	LED indication, Communication message
Power supply	Yes, Low voltage alarm
Short circuit/Overload	Yes, LED indication
General data	
Degree of protection	IP67
Temperature range	Operation temperature : -20~60 °C ; Storage temperature : -40~85 °C
Installation	2-hole fixing


**Features**

- Input photoelectric isolation
- Hardware filtering time 500us
- Overvoltage and short circuit protection function
- DH BUS and Channel adopt isolation technology and are reliable

**8 digital outputs module**

Ordering Data	
Order No.	DFH67-DHB-DO8P-M08-V1      DFH67-DHB-DO8N-M08-V1
Description	8DO , PNP , 8*M8      8DO , NPN , 8*M8
Interface type	
DH Bus	2 * M12 B-code 5pin Plug(input) + Socket(output)
Power	DH Bus interface includes power supply
Signal	8 * M8 A-code 3pin , Socket
Electrical parameters	
Supply Voltage	24 VDC (18...30V)
Current consumption	Max. 50mA
Number of inputs	/
Input power supply current	/
Input signal type	/
Input filter time	/
Number of outputs	8
Output current	Per channel : Max. 0.5A , Total : Max. 4A
Output signal type	NPN type, actuator, Indicator, etc
Output switch frequency	Resistive load : 100Hz, Inductive load : 5Hz
Diagnostic	
Communication Status	LED indication, Communication message
Power supply	Yes, Low voltage alarm
Short circuit/Overload	Yes, LED indication
General data	
Degree of protection	IP67
Temperature range	Operation temperature : -20~60 °C ; Storage temperature : -40~85 °C
Installation	2-hole fixing


**Features**

- Input photoelectric isolation
- Hardware filtering time 500us
- Overvoltage and short circuit protection function
- DH BUS and Channel adopt isolation technology and are reliable

**4 digital inputs + 4 digital outputs module**

Ordering Data		
Order No.	DFH67-DHB-DI4P-DO4P-M08-V1	DFH67-DHB-DI4N-DO4N-M08-V1
Description	4DI+4DO,PNP,8*M8	4DI+4DO,NPN,8*M8
Interface type		
DH Bus	2 * M12 B-code 5pin Plug(input) + Socket(output)	
Power	DH Bus interface includes power supply	
Signal	8 * M8 A-code 3pin , Socket	
Electrical parameters		
Supply Voltage	24 VDC (18...30V)	
Current consumption	Max. 50mA	
Number of inputs	4	
Input power supply current	Per channel : Max. 200mA	
Input signal type	PNP type Sensors, Limit switch, Contact, etc	NPN type Sensors, Limit switch, Contact, etc
Input filter time	Max. 2ms	
Number of outputs	4	
Output current	Per channel : Max. 0.5A , Total : Max. 4A	
Output signal type	PNP type, actuator, Indicator, etc	NPN type, actuator, Indicator, etc
Output switch frequency	Resistive load : 100Hz, Inductive load : 5Hz	
Diagnostic		
Communication Status	LED indication, Communication message	
Power supply	Yes, Low voltage alarm	
Short circuit/Overload	Yes, LED indication	
General data		
Degree of protection	IP67	
Temperature range	Operation temperature : -20~60 °C ; Storage temperature : -40~85 °C	
Installation	2-hole fixing	


**Features**

- Input/Output photoelectric isolation
- Hardware filtering time 500us
- Input or Output configurable
- Overvoltage and short circuit protection function
- DH BUS and Channel adopt isolation technology and are reliable

**16 configurable digital I/O module**

Ordering Data		
Order No.	DFH67-DHB-DIO16P-M12-V1	DFH67-DHB-DIO16N-M12-V1
Description	16 DI/DO , PNP , 8*M12	16 DI/DO , NPN , 8*M12
Interface type		
DH Bus	2 * M12 B-code 5pin Plug(input) + Socket(output)	
Power	DH Bus interface includes power supply	
Signal	8 * M12 A-code 5pin , Socket	
Electrical parameters		
Supply Voltage	24 VDC (18...30V)	
Current consumption	Max. 50mA	
Number of inputs	Max. 16	
Input power supply current	Per channel : Max. 200mA	
Input signal type	PNP type Sensors, Limit switch, Contact, etc	NPN type Sensors, Limit switch, Contact, etc
Input filter time	Max. 2ms	
Number of outputs	Max. 16	
Output current	Per channel : Max. 0.5A , Total : Max. 4A	
Output signal type	PNP type, actuator, Indicator, etc	NPN type, actuator, Indicator, etc
Output switch frequency	Resistive load : 100Hz, Inductive load : 5Hz	
Diagnostic		
Communication Status	LED indication, Communication message	
Power supply	Yes, Low voltage alarm	
Short circuit/Overload	Yes, LED indication	
General data		
Degree of protection	IP67	
Temperature range	Operation temperature : -20~60 °C ; Storage temperature : -40~85 °C	
Installation	2-hole fixing	


**Features**

- Rich variety and wide application range
- The measure range configured through XML file, more flexible
- DH BUS and Channel adopt isolation technology and are reliable

**Analog input module**

Ordering Data				
Order No.	DFH67-DHB-AI4I-M12-V1	DFH67-DHB-AI8I-M12-V1	DFH67-DHB-AI4U-M12-V1	DFH67-DHB-AI8U-M12-V1
Description	4AI ( Current type ) , 16 bit , 4*M12	8AI ( Current type ) , 16 bit , 8*M12	4AI ( Voltage type ) , 16 bit , 4*M12	8AI ( Voltage type ) , 16 bit , 8*M12
Interface type				
DH Bus	2 * M12 B-code 5pin Plug(input) + Socket(output)			
Power	DH Bus interface includes power supply			
Signal	4 * M12 A-code 5pin , Socket	8 * M12 A-code 5pin , Socket	4 * M12 A-code 5pin , Socket	8 * M12 A-code 5pin , Socket
Electrical parameters				
Supply Voltage	24 VDC (18...30V)			
Current consumption	Max. 50mA			
Number of inputs	4	8	4	8
Input power supply current	Per channel : Max. 200mA			
Input signal type	0...20mA , 4...20mA , ±20mA		0...10V , ±10V	
Input impedance	250Ω		1MΩ	
Resolution	16 Bit			
Conversion time	Max. 300us			
Precision	± 0.3%			
Diagnostic				
Communication Status	LED indication, Communication message			
Power supply	Yes, Low voltage alarm			
Short circuit/Overload	Yes, LED indication			
General data				
Degree of protection	IP67			
Temperature range	Operation temperature : -20~60 °C ; Storage temperature : -40~85 °C			
Installation	2-hole fixing			


**Features**

- Resolution : 16 bit
- The measure range configured through XML file, more flexible
- DH BUS and Channel adopt isolation technology and are reliable

**8 channel analog output module**

Ordering Data			
Order No.	DFH67-DHB-AO4I-AO4U-M12-V1	DFH67-DHB-AO8I-M12-V1	DFH67-DHB-AO8U-M12-V1
Description	4AO(Current type)+4AO(Voltage type),16 bit,8*M12	8AO(Current type),16 bit,8*M12	8AO(Voltage type),16 bit,8*M12
Interface type			
DH Bus	2 * M12 B-code 5pin Plug(input) + Socket(output)		
Power	DH Bus interface includes power supply		
Signal	8 * M12 A-code 5pin , Socket		
Electrical parameters			
Supply Voltage	24 VDC (18...30V)		
Current consumption	Max. 50mA		
Number of outputs	8		
Output signal type	First 4 channels ( 0...20mA,4...20mA ) Last 4 channels ( 0...10V,±10V )	0...20mA , 4...20mA	0...10V , ±10V
Output impedance	Current type :<500Ω; Voltage type :>1kΩ	<450Ω	> 1kΩ
Resolution	16 Bit		
Conversion time	Max. 300us		
Precision	± 0.3%		
Diagnostic			
Communication Status	LED indication, Communication message		
Power supply	Yes, Low voltage alarm		
Short circuit/Overload	Yes, LED indication		
General data			
Degree of protection	IP67		
Temperature range	Operation temperature : -20~60 °C ; Storage temperature : -40~85 °C		
Installation	2-hole fixing		


**Features**

- Resolution : 16 bit
- The measure range configured through XML file, more flexible
- DH BUS and Channel adopt isolation technology and are reliable

**4 channel analog output module**

Ordering Data		
Order No.	DFH67-DHB-AO4I-M12-V1	DFH67-DHB-AO4U-M12-V1
Description	4AO(Current type),16 bit,4*M12	4AO(Voltage type),16 bit,4*M12
Interface type		
DH Bus	2 * M12 B-code 5pin Plug(input) + Socket(output)	
Power	DH Bus interface includes power supply	
Signal	8 * M12 A-code 5pin , Socket	
Electrical parameters		
Supply Voltage	24 VDC (18...30V)	
Current consumption	Max. 50mA	
Number of outputs	4	
Output signal type	0...20mA , 4...20mA	0...10V , ±10V
Output impedance	< 450Ω	> 1kΩ
Resolution	16 Bit	
Conversion time	Max. 300us	
Precision	± 0.3%	
Diagnostic		
Communication Status	LED indication , Communication message	
Power supply	Yes, Low voltage alarm	
Short circuit/Overload	Yes, LED indication	
General data		
Degree of protection	IP67	
Temperature range	Operation temperature : -20~60 °C ; Storage temperature : -40~85 °C	
Installation	2-hole fixing	


**Features**

- Resolution : 16 bit
- The measure range configured through XML file, more flexible
- DH BUS and Channel adopt isolation technology and are reliable

**4 analog inputs + 4 analog outputs module**

Ordering Data		
Order No.	DFH67-DHB-AI4I-AO4I-M12-V1	DFH67-DHB-AI4U-AO4U-M12-V1
Description	4AI+4AO(Current type),16 bit,8*M12	4AI+4AO(Voltage type),16 bit,8*M12
Interface type		
DH Bus	2 * M12 B-code 5pin Plug(input) + Socket(output)	
Power	DH Bus interface includes power supply	
Signal	8 * M12 A-code 5pin , Socket	
Electrical parameters		
Supply Voltage	24 VDC (18...30V)	
Current consumption	Max. 50mA	
Number of inputs	4	4
Input signal type	0...20mA , 4...20mA , ±20mA	0...10V , ±10V
Input impedance	250Ω	1MΩ
Number of outputs	4	4
Output signal type	0...20mA , 4...20mA	0...10V , ±10V
Output impedance	< 450Ω	> 1kΩ
Resolution	16 bit	
Conversion time	Max. 300us	
Precision	± 0.3%	
Diagnostic		
Communication Status	LED indication , Communication message	
Power supply	Yes, Low voltage alarm	
Short circuit/Overload	Yes, LED indication	
General data		
Degree of protection	IP67	
Temperature range	Operation temperature : -20~60 °C ; Storage temperature : -40~85 °C	
Installation	2-hole fixing	




**Features**

- Resolution : 16 bit
- The measure range configured through XML file, more flexible
- Advanced filtering algorithm for more stable sampling
- DH BUS and Channel adopt isolation technology and are reliable

**Temperature measuring module**
**Ordering Data**

Order No.	DFH67-DHB-RTD4-M12-V1	DFH67-DHB-RTD8-M12-V1	DFH67-DHB-TC4-M12-V1 Planned model	DFH67-DHB-TC8-M12-V1 Planned model
Description	4RTD , Thermal resistance , 16 bit , 4*M12	8RTD , Thermal resistance , 16 bit , 8*M12	4TC , Thermocouple, 16 bit , 4*M12	8TC , Thermocouple, 16 bit , 8*M12

**Interface type**

DH Bus	2 * M12 B-code 5pin Plug(input) + Socket(output)			
Power	DH Bus interface includes power supply			
Signal	4 * M12 A-code 5pin , Socket	8 * M12 A-code 5pin , Socket	4 * M12 A-code 5pin , Socket	8 * M12 A-code 5pin , Socket

**Electrical parameters**

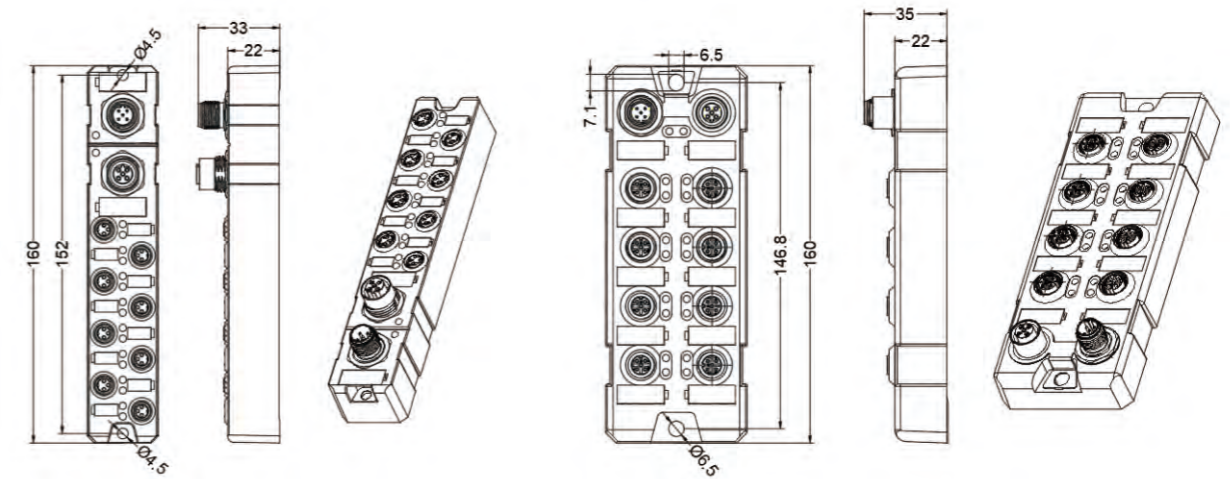
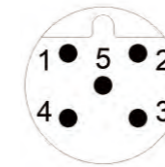
Supply Voltage	24 VDC (18...30V)			
Current consumption	Max. 50mA			
Number of inputs	4	8	4	8
Input power supply current	Per channel : Max. 200mA			
Input signal type	Pt 100 , Pt1000 , Ni100 , Ni1000 , 0-150/300/600/3000 Ω		B, E, J, K, N, R, S, T Type	
Resolution	16 Bit			
Conversion time	Max. 300us			
Precision	± 0.3%			

**Diagnostic**

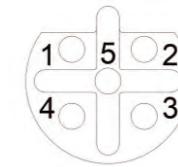
Communication Status	LED indication, Communication message
Power supply	Yes, Low voltage alarm
Short circuit/Overload	Yes, LED indication

**General data**

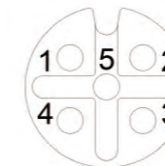
Degree of protection	IP67
Temperature range	Operation temperature : -20~60 °C ; Storage temperature : -40~85 °C
Installation	2-hole fixing

**Dimension**

**DH Bus interface**

**DH Bus B-code plug ( Metal ) - BUS1**

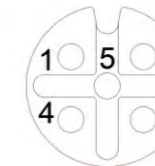
- 1-Power supply 24V+
- 2-Data signal A
- 3-Data signal B
- 4-Power supply GND
- 5-ADR 1


**DH Bus B-code socket ( Metal ) - BUS2**

- 1-Power supply 24V+
- 2-Data signal A
- 3-Data signal B
- 4-Power supply GND
- 5-ADR 1

**M12 Input/Output**

**Digital signal interface M12 A-code socket (Green)**

- 1-Power supply 24V+
- 2-Digital Input/Output B
- 3-Power supply GND
- 4-Digital Input/Output A
- 5-Protective grounding PE


**Analog/Temperature signal interface M12 A-code socket (Green)**

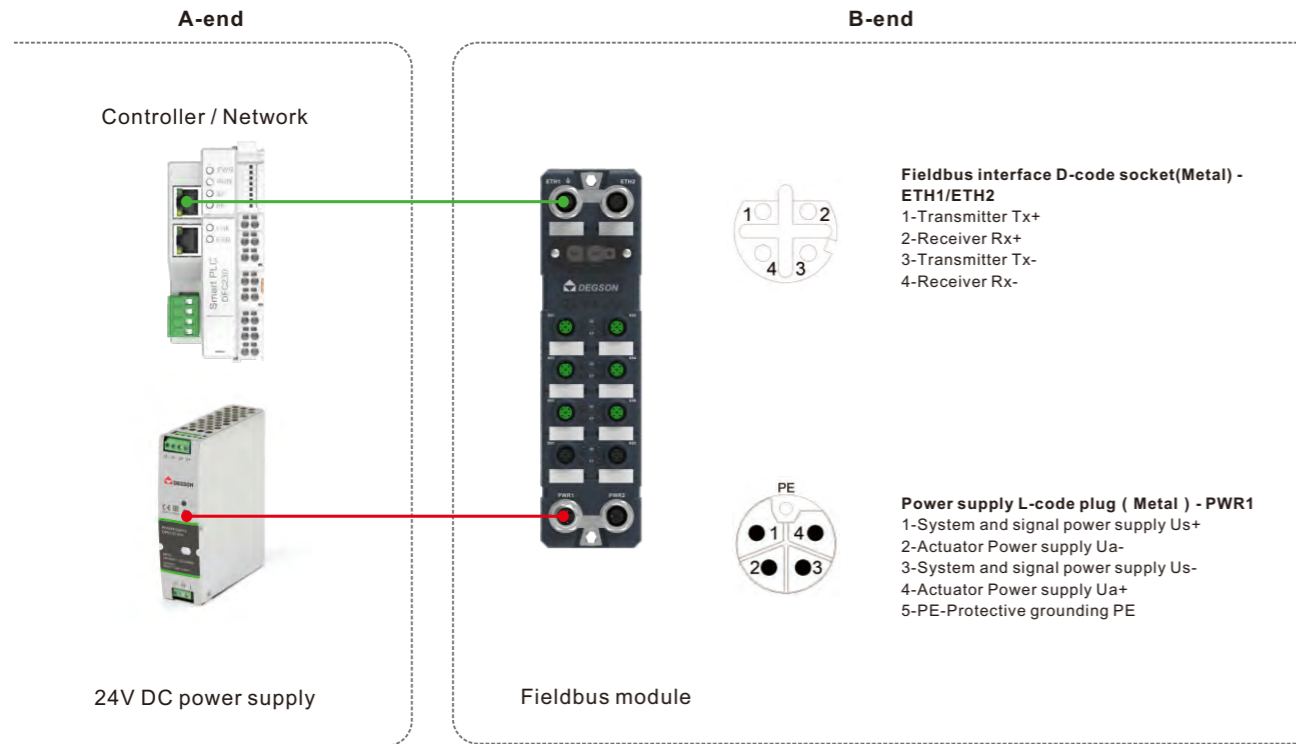
- 1- a-
- 2- A-
- 3- NC
- 4- A+
- 5- NC

**M8 Input/Output**

**DI/DO signal interface M8 A-code socket (Green)**

- 1-Power supply 24V+
- 3-Power supply GND
- 4-Digital Input/Output

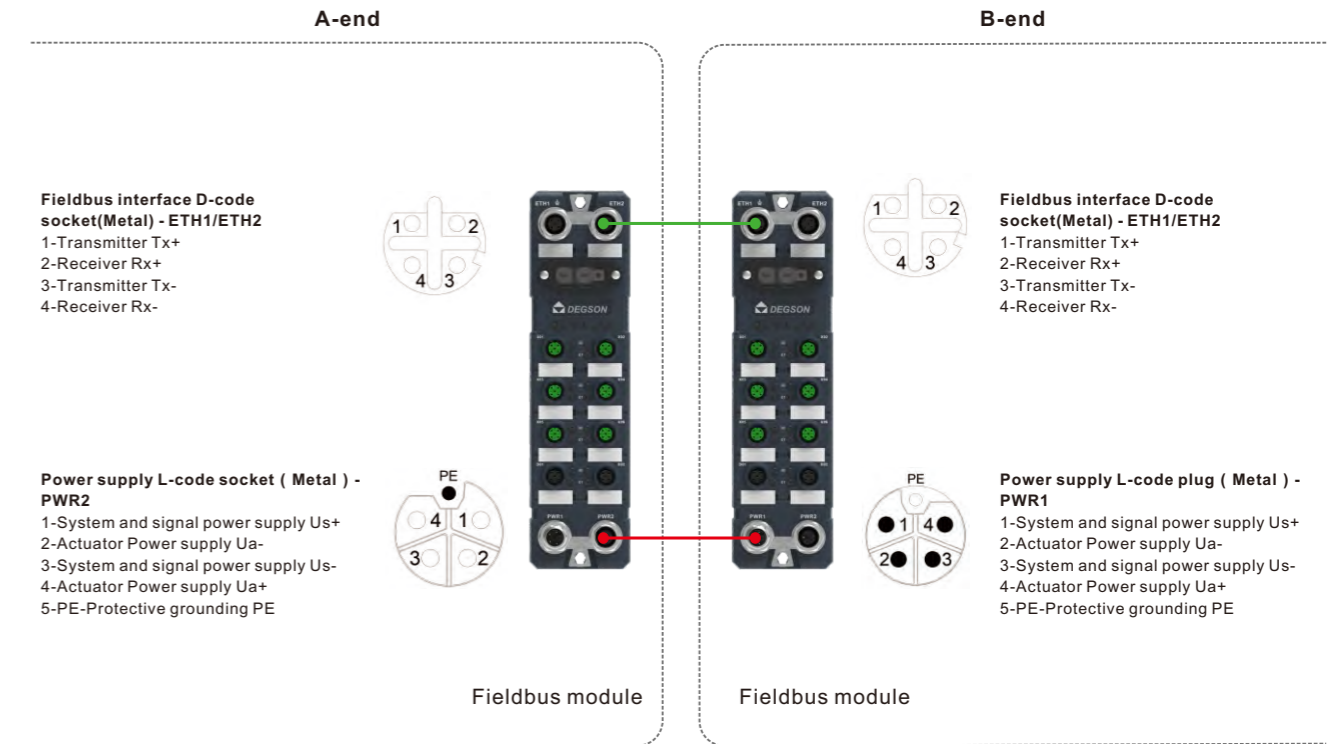
Upper control - Fieldbus module Cable



A-end			B-end			Cable		Order NO.
Connect Target	Style	Shape	Connect Target	Style	Shape	Material	Length	
Power connection at the power supply end	Wire	/	Fieldbus module Power input interface M12 L-code 5pin plug	M12 L-code 5pin socket	Straight	PVC	3m 5m 10m 15m 20m	PM-M12L-05P-FF-SL7C03-00Z(H) PM-M12L-05P-FF-SL7C05-00Z(H) PM-M12L-05P-FF-SL7C10-00Z(H) PM-M12L-05P-FF-SL7C15-00Z(H) PM-M12L-05P-FF-SL7C20-00Z(H)
					Angled		3m 5m 10m 15m 20m	PM-M12L-05P-FF-SR7C03-00Z(H) PM-M12L-05P-FF-SR7C05-00Z(H) PM-M12L-05P-FF-SR7C10-00Z(H) PM-M12L-05P-FF-SR7C15-00Z(H) PM-M12L-05P-FF-SR7C20-00Z(H)
Network interface	RJ45	Straight	Fieldbus module Fieldbus interface M12 D-code 4pin socket	M12 D-code 4pin plug	Straight	Shielded	3m 5m 10m 15m 20m	PMSH-M12D-04P-MM-SL8E03-RJ45 PMSH-M12D-04P-MM-SL8E05-RJ45 PMSH-M12D-04P-MM-SL8E10-RJ45 PMSH-M12D-04P-MM-SL8E15-RJ45 PMSH-M12D-04P-MM-SL8E20-RJ45
					Angled		3m 5m 10m 15m 20m	PMSH-M12D-04P-MM-SR8E03-RJ45 PMSH-M12D-04P-MM-SR8E05-RJ45 PMSH-M12D-04P-MM-SR8E10-RJ45 PMSH-M12D-04P-MM-SR8E15-RJ45 PMSH-M12D-04P-MM-SR8E20-RJ45

Note 1: L-code angled cables have a long lead time and should be carefully purchased  
 Note 2: Other lengths of cables are not in regular stock. If necessary, please contact sales personnel

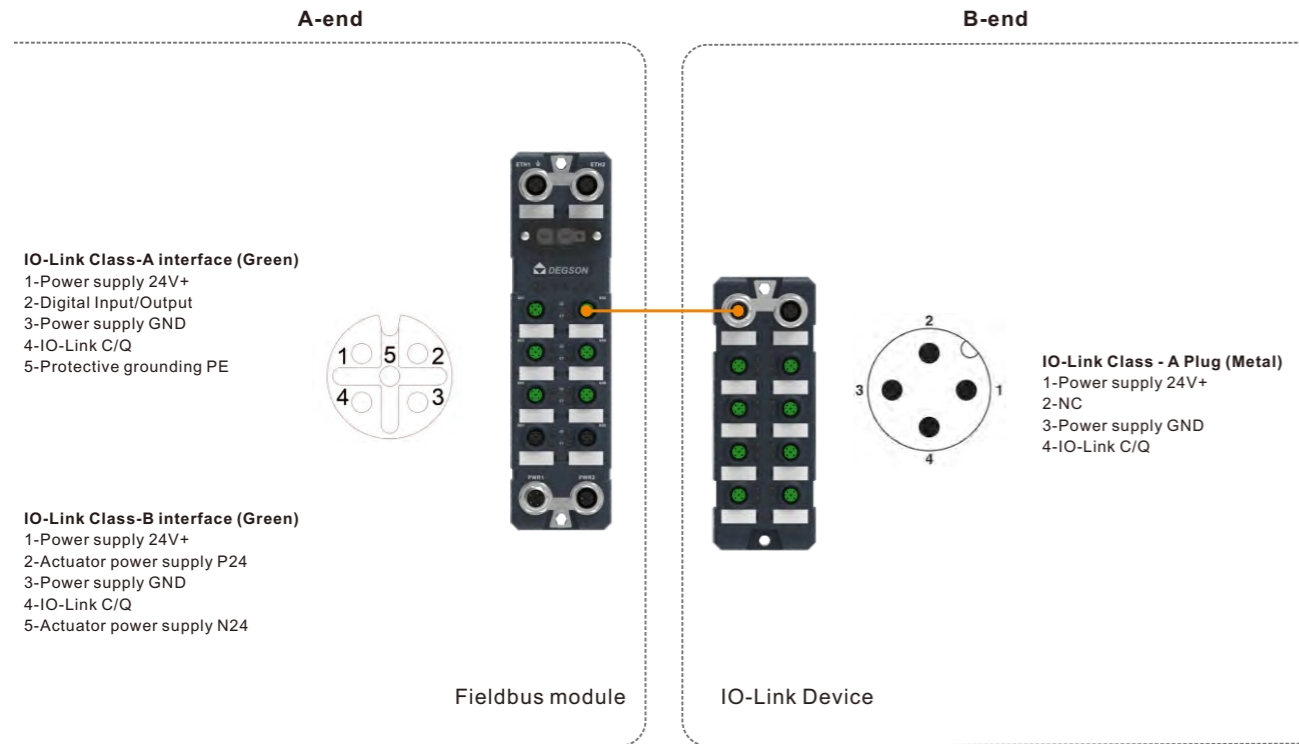
Fieldbus module - Fieldbus module Cable



A-end			B-end			Cable		Order NO.
Connect Target	Style	Shape	Connect Target	Style	Shape	Material	Length	
Fieldbus module Power input interface M12 L-code 5pin socket	M12 L-code 5pin plug	Straight	Fieldbus module Power input interface M12 L-code 5pin plug	M12 L-code 5pin socket	Straight	PVC	1m 2m 3m 5m 10m	PM-M12L-05P-ML-FL-7C01-00Z(H) PM-M12L-05P-ML-FL-7C02-00Z(H) PM-M12L-05P-ML-FL-7C03-00Z(H) PM-M12L-05P-ML-FL-7C05-00Z(H) PM-M12L-05P-ML-FL-7C10-00Z(H)
		Angled			Angled		1m 2m 3m 5m 10m	PM-M12L-05P-MR-FR-7C01-00Z(H) PM-M12L-05P-MR-FR-7C02-00Z(H) PM-M12L-05P-MR-FR-7C03-00Z(H) PM-M12L-05P-MR-FR-7C05-00Z(H) PM-M12L-05P-MR-FR-7C10-00Z(H)
Fieldbus module Fieldbus interface M12 D-code 4pin socket	M12 D-code 4pin plug	Straight	Fieldbus module Fieldbus interface M12 D-code 4pin socket	M12 D-code 4pin plug	Straight	Shielded	1m 2m 3m 5m 10m	PMSH-M12D-04P-ML-ML-8E01-00Z(H) PMSH-M12D-04P-ML-ML-8E02-00Z(H) PMSH-M12D-04P-ML-ML-8E03-00Z(H) PMSH-M12D-04P-ML-ML-8E05-00Z(H) PMSH-M12D-04P-ML-ML-8E10-00Z(H)
		Angled			Angled		1m 2m 3m 5m 10m	PMSH-M12D-04P-MR-MR-8E01-00Z(H) PMSH-M12D-04P-MR-MR-8E02-00Z(H) PMSH-M12D-04P-MR-MR-8E03-00Z(H) PMSH-M12D-04P-MR-MR-8E05-00Z(H) PMSH-M12D-04P-MR-MR-8E10-00Z(H)

Note 1: L-code angled cables have a long lead time and should be carefully purchased  
 Note 2: Other lengths of cables are not in regular stock. If necessary, please contact sales personnel

## Fieldbus module - IO-Link device Cable



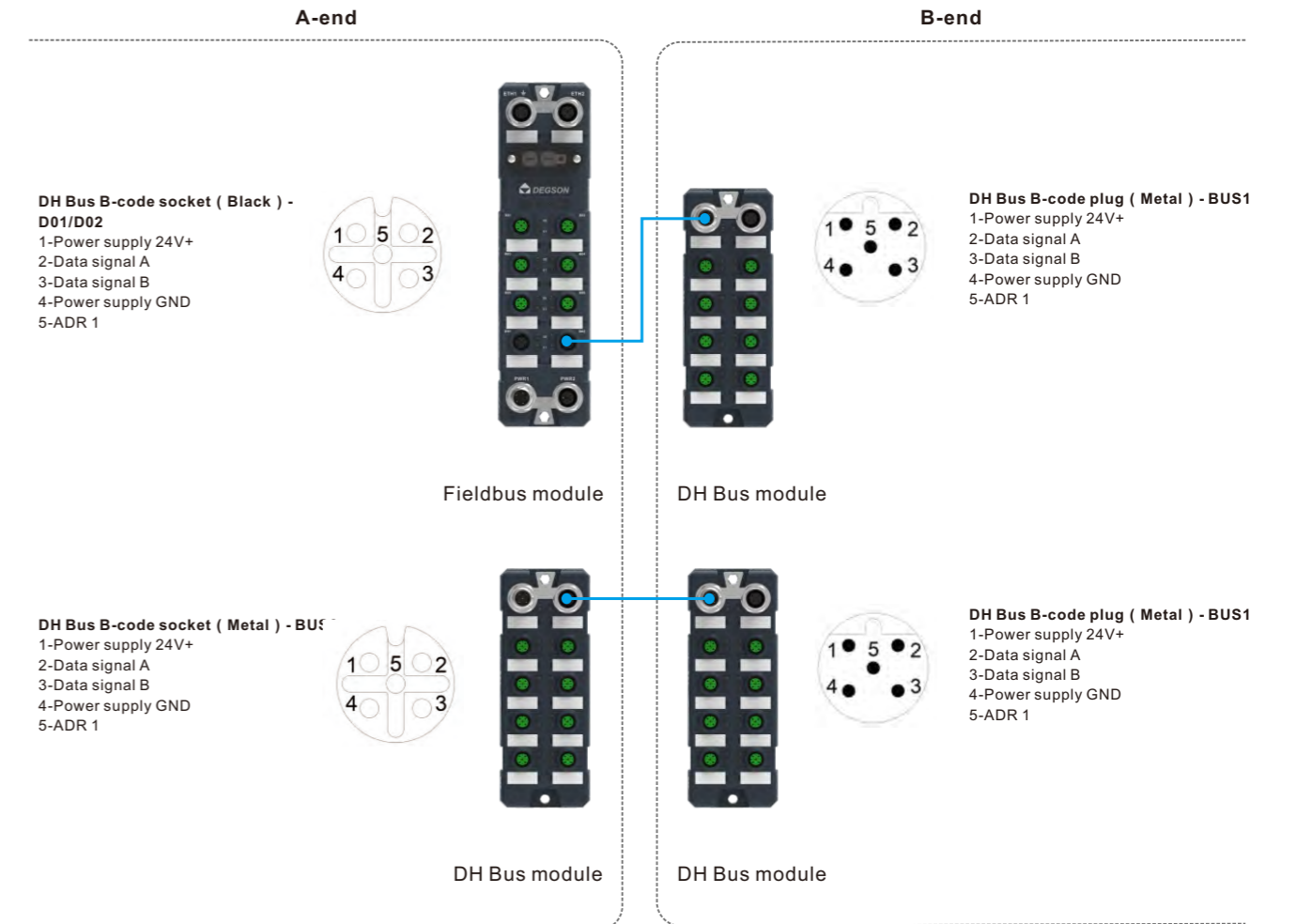
A-end			B-end			Cable		Order NO.
Connect Target	Style	Shape	Connect Target	Style	Shape	Material	Length	
Fieldbus module IO-Link interface M12 A-code 5pin socket	M12 A-code 5pin plug	Straight	IO-Link module IO-Link interface M12A-code 4pin plug	M12 A-code 5pin socket (Pin5 None)	Straight	PVC	0.3m	PM-M12A-05P-ML-FL-7C-300-00Z(H)
							0.5m	PM-M12A-05P-ML-FL-7C-500-00Z(H)
							1m	PM-M12A-05P-ML-FL-7C01-00Z(H)
							2m	PM-M12A-05P-ML-FL-7C02-00Z(H)
							3m	PM-M12A-05P-ML-FL-7C03-00Z(H)
		5m			PM-M12A-05P-ML-FL-7C05-00Z(H)			
		10m			PM-M12A-05P-ML-FL-7C10-00Z(H)			
		Angled			Angled		0.3m	PM-M12A-05P-MR-FR-7C-300-00Z(H)
							0.5m	PM-M12A-05P-MR-FR-7C-500-00Z(H)
							1m	PM-M12A-05P-MR-FR-7C01-00Z(H)
2m	PM-M12A-05P-MR-FR-7C02-00Z(H)							
3m	PM-M12A-05P-MR-FR-7C03-00Z(H)							
5m	PM-M12A-05P-MR-FR-7C05-00Z(H)							
10m	PM-M12A-05P-MR-FR-7C10-00Z(H)							

Note 1: If the IO-Link module requires L-code cables (Power supply), the selection is the same as that of Fieldbus module

Note 2: If the IO-Link module requires B-code cables (DH Bus), the selection is the same as that of DH Bus module

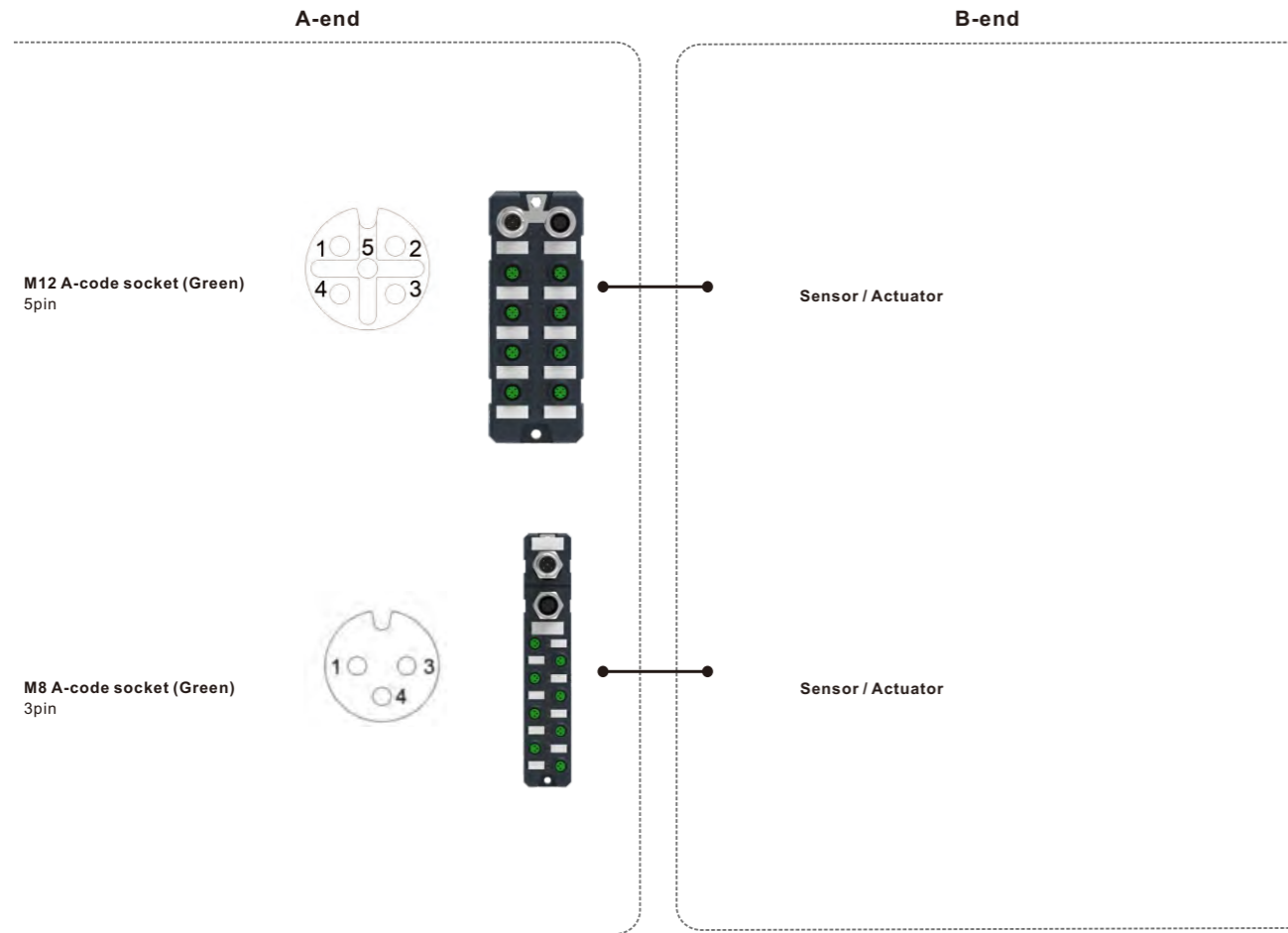
Note 3: Other lengths of cables are not in regular stock. If necessary, please contact sales personnel

## DH Bus cable



A-end			B-end			Cable		Order NO.
Connect Target	Style	Shape	Connect Target	Style	Shape	Material	Length	
Fieldbus module DH Bus interface M12 B-code 5pin socket	M12 B-code 5pin plug	Straight	DH Bus module DH Bus interface M12 B-code 5pin plug	M12 B-code 5pin socket	Straight	Shielded	0.3m	PMSH-M12B-05P-ML-FL-7P-300-00Z(H)
							0.5m	PMSH-M12B-05P-ML-FL-7P-500-00Z(H)
							1m	PMSH-M12B-05P-ML-FL-7P01-00Z(H)
							2m	PMSH-M12B-05P-ML-FL-7P02-00Z(H)
							3m	PMSH-M12B-05P-ML-FL-7P03-00Z(H)
		5m			PMSH-M12B-05P-ML-FL-7P05-00Z(H)			
		10m			PMSH-M12B-05P-ML-FL-7P10-00Z(H)			
		Angled			Angled		0.3m	PMSH-M12B-05P-MR-FR-7P-300-00Z(H)
							0.5m	PMSH-M12B-05P-MR-FR-7P-500-00Z(H)
							1m	PMSH-M12B-05P-MR-FR-7P01-00Z(H)
2m	PMSH-M12B-05P-MR-FR-7P02-00Z(H)							
3m	PMSH-M12B-05P-MR-FR-7P03-00Z(H)							
5m	PMSH-M12B-05P-MR-FR-7P05-00Z(H)							
10m	PMSH-M12B-05P-MR-FR-7P10-00Z(H)							
DH Bus module DH Bus interface M12 B-code 5pin socket	M12 B-code 5pin plug	Straight	DH Bus module DH Bus interface M12 B-code 5pin plug	M12 B-code 5pin socket	Straight	Shielded	0.3m	PMSH-M12B-05P-ML-FL-7P-300-00Z(H)
							0.5m	PMSH-M12B-05P-ML-FL-7P-500-00Z(H)
							1m	PMSH-M12B-05P-ML-FL-7P01-00Z(H)
							2m	PMSH-M12B-05P-ML-FL-7P02-00Z(H)
							3m	PMSH-M12B-05P-ML-FL-7P03-00Z(H)
		5m			PMSH-M12B-05P-ML-FL-7P05-00Z(H)			
		10m			PMSH-M12B-05P-ML-FL-7P10-00Z(H)			
		Angled			Angled		0.3m	PMSH-M12B-05P-MR-FR-7P-300-00Z(H)
							0.5m	PMSH-M12B-05P-MR-FR-7P-500-00Z(H)
							1m	PMSH-M12B-05P-MR-FR-7P01-00Z(H)
2m	PMSH-M12B-05P-MR-FR-7P02-00Z(H)							
3m	PMSH-M12B-05P-MR-FR-7P03-00Z(H)							
5m	PMSH-M12B-05P-MR-FR-7P05-00Z(H)							
10m	PMSH-M12B-05P-MR-FR-7P10-00Z(H)							

Sensor / Actuator Cable



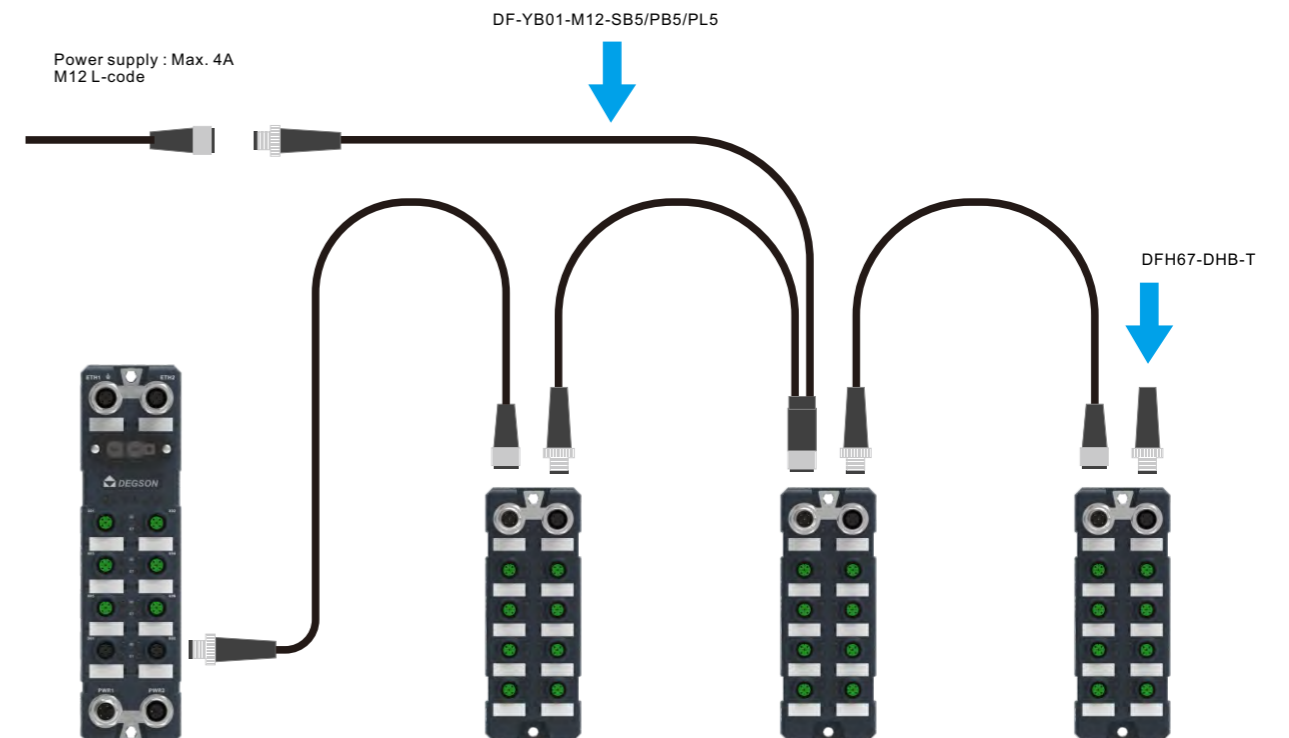
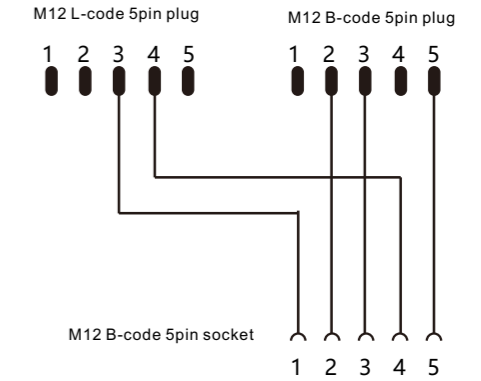
A-end			B-end			Cable		Order NO.	
Connect Target	Style	Style	Connect Target	Style	Style	Material	Length		
M12 A-code interface 5pin socket	M12 A-code 5pin plug	Straight	Sensor / Actuator	Wire	Straight	PVC	1m	PM-M12A-05P-MM-SL8C01-00Z(H) PM-M12A-05P-MM-SL8C02-00Z(H) PM-M12A-05P-MM-SL8C03-00Z(H) PM-M12A-05P-MM-SL8C05-00Z(H) PM-M12A-05P-MM-SL8C10-00Z(H)	
		Angled					2m		
M8 A-code interface 3pin socket	M8 A-code 3pin plug	Straight	Sensor / Actuator	Wire	Straight		3m		PM-M12A-05P-MM-SR8C01-00Z(H) PM-M12A-05P-MM-SR8C02-00Z(H) PM-M12A-05P-MM-SR8C03-00Z(H) PM-M12A-05P-MM-SR8C05-00Z(H) PM-M12A-05P-MM-SR8C10-00Z(H)
		Angled					5m		
						10m			

Note : Other lengths of cables are not in regular stock. If necessary, please contact sales personnel

DH Bus accessories

Picture	
Description	DH Bus auxiliary power supply unit
Order NO.	DF-YB01-M12-SB5/PB5/PL5
Style	M12 B-code 5pin socket M12 B-code 5pin plug M12 L-code 5pin plug
Voltage/Current	24V / 4A
Rated voltage	60V
Pulse voltage	2500V
Protection degrees	IP67 / IP68
Notes	When the power supply is insufficient, increase the maximum 4A power supply

Picture	
Description	Termination resistor
Order NO.	DFH67-DHB-T
Style	M12 B-code 5pin plug
Resistance value	Pin4 / Pin5 = 120Ω
Protection degrees	IP67 / IP68





Accessories

Picture			
Description	M12 L-code 5pin T-type distributor	M12 A-code 5pin Y-type distributor	M12 A-code - M8 A-code Y-type distributor
Order NO.	DF-TB-M12-PL5/SL5/SL5	FY-M12A-05F-M12A-05M-Q-0100	FY-M12A-04M-M8A-03F-T-0100
Voltage/Current	24V / 4A	24V / 4A	24V / 3A
Style	Plug / Socket / Socket	Plug / Socket / Socket	M12 4pin Plug / M8 3pin Socket / M8 3pin Socket
Shielding	Unshielded	Unshielded	Unshielded
Diagram			

Description	Order NO.	MOQ	Picture
M12 Plug Cover	DF-PLUGCOVER-M12	10	
M12 Socket Cover	DF-SOCKETCOVER-M12	10	
M8 Socket Cover	DF-SOCKETCOVER-M08	10	

DSW series unmanaged switch



- Wide range working temperature: -40°C ~ 70°C
- Wide range working voltage: DC9.6~60V & AC18~30V
- High strength cast aluminum shell, greatly improving EMC electromagnetic compatibility and heat dissipation performance, vibration and impact resistance
- High data exchange performance, backplane bandwidth: 16Gbps; MAC address table size: 4K; Package cache area: 1.5Mb
- BSP Broadcast storm suppression function improves network stability
- QoS priority function ensures priority forwarding of high demand data packets





DSW-A3K      DSW-A5K      DSW-A8K

**Features**

- Industrial-grade Chip.
- 10/100/1000 BaseT(X)(RJ45 connector) .
- Compact size for easy installation.
- Broadcast storm protection (BSP),the Quality of Service (QoS) function.
- Die-casting aluminum alloy housing.
- IP30 protection class.
- -40 to 75°C wide operating temperature range.

**Specifications**

Type	DSW-A5K0005	DSW-A8K0008	DSW-A3K1020	DSW-A5K0050	DSW-A8K0080	DSW-A5K0104	DSW-A8K0206	DSW-A8K0107
Ports	5 BaseT ports	8 BaseT ports	1BaseX SFP port 2 BaseT ports	5 BaseT ports	8 BaseT ports	1 BaseX SFP port 4 BaseT ports	2 BaseX SFP port 6 BaseT ports	1 BaseX SFP port 7 BaseT ports
Bandwidth	100M	100M	1000M	1000M	1000M	100M	100M	100M

**Switch Properties**

Processing Type	Store-and-Forward
Backplane Bandwidth	16Gbps (Max)
MAC Table Size	4K (Max)
Packet Buffer Size	1.5Mb (Max)

**DIP Switch Configuration**

	Quality of Service (QoS), Broadcast Storm Protection (BSP)
	Ethernet Interface

**Power Parameters**

Connection	1 removable 2-contact terminal block
Input Voltage	12/24/48 VDC & 24 VAC
Operating Voltage	9.6~60 VDC & 18~30 VAC
Overload Current Protection	Supported
Reverse Polarity Protection	Supported

**Physical Characteristics**

Installation	DIN-rail mounting
Housing	Die-casting aluminum alloy housing
(W×H×D) Dimensions	MTX100-A3K/-A5K: 24mm x 100mm x 61.8mm MTX100-A8K: 40mm x 100mm x 61.8mm
Weight	0.23Kg (Max)
Power Consumption	5W(Max)

**Environment Limits**

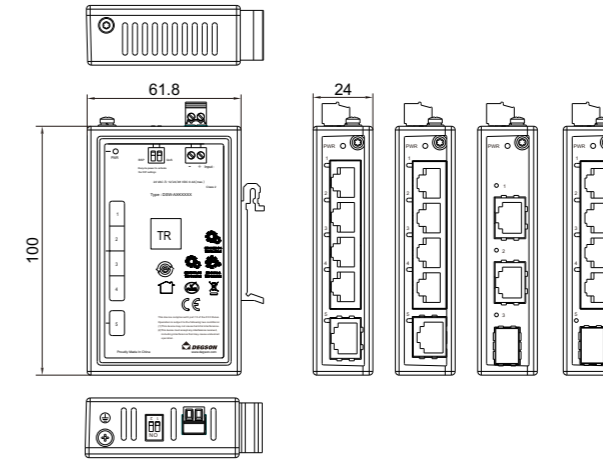
Ambient Relative Humidity	5 to 95% (non-condensing)
Operating Temperature	- 40°C~ 75°C
Storage Temperature	- 40°C~ 85°C

**Standards and Certifications**

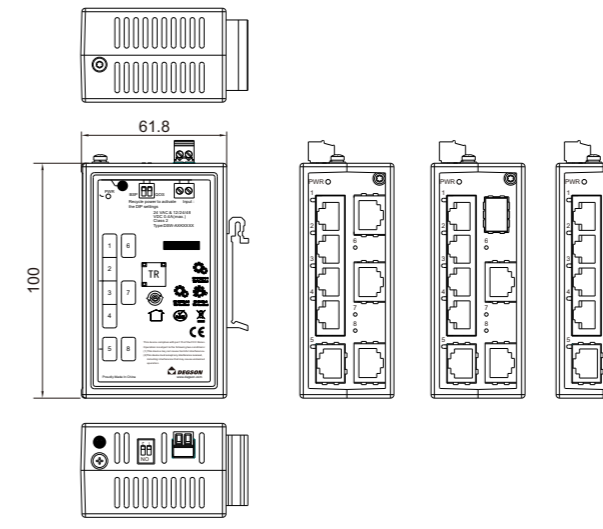
Safety	IEC/EN62368-1
FCC	FCC 47 CFR Part 15 Class A
EMC	EN55032 EN55035

**Overall Dimensions**

**DSW-A3K/A5K**



**DSW-A8K**



**Accessories**

Picture	Product	Transmission rate	Transfer mode	Matching model
	DSW-SFP-01-S-20	10/100Mbps	Single mode	DSW-A5K0104 DSW-A8K0107 DSW-A8K0206
	DSW-SFP-10-S-20	100/1000Mbps	Single mode	DSW-A3K1020



DSW-A16K000G

**Features**

- Industrial-grade Chips
- Small size, and easy to install
- Support QoS (IEEE 802.1P/1Q and TOS/DiffServ)
- Die-cast aluminum alloy shell
- IP30 protection grade
- Redundant dual input power supply design
- -40 to 75°C wide operating temperature range
- Support DIP sound and light alarm output and 1 relay alarm port (1A@24VDC)

**Specifications**

Type	DSW-A16K000G
Ports	16 16 BaseT ports
Bandwidth	100M

**Switch Properties**

Processing Type	Store-and-Forward
Backplane Bandwidth	8.8Gbps (Max)
MAC Table Size	8K (Max)
Packet Buffer Size	4Mb (Max)

**DIP Switch Configuration**

DIP Switch Function	QoS (Quality of Service), BSP (Broadcast Storm Protection), Power Alarm, Port Alarm, Alarm Buzzer
---------------------	---

**Power Parameters**

Connection	1 removable 6- contact terminal block
Input Voltage	12/24/48 VDC & 24 VAC, redundant dual input
Operating Voltage	9.6-60 VDC & 18-30 VAC
Overload Current Protection	Supported
Reverse Polarity Protection	Supported
Power Consumption	<10W

**Physical Characteristics**

Installation	DIN-rail mounting
Housing	Die-casting aluminum alloy housing
IP Grade	IP30
(W×H×D) Dimensions	52mmx140mmx110mm
Weight	<1.2 kg

**Environment Limits**

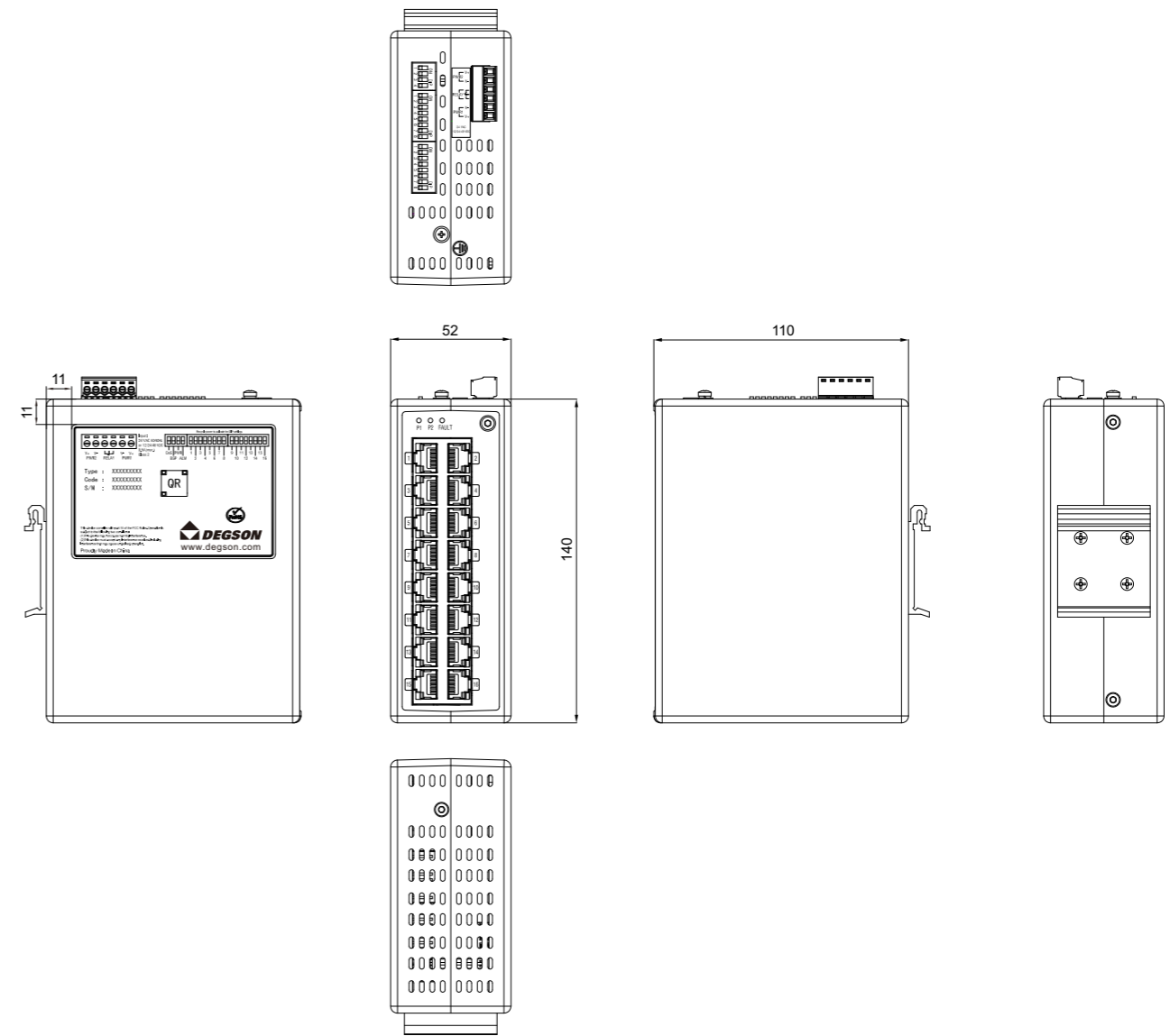
Ambient Relative Humidity	5 to 95% (non-condensing)
Operating Temperature	-40°C~ 75°C
Storage Temperature	-40°C~ 85°C

**Standards and Certifications**

Safety	IEC/EN62368-1
FCC	FCC: FCC 47 CFR Part 15 Class A
EMC	EN55032 EN55035

**Overall Dimensions**

DSW-A16K000G



**Accessories**

Picture	Product	Transmission rate	Transfer mode	Matching model
/	/	/	/	/
/	/	/	/	/



DSW-A6K2040P



DSW-A10K2080P

**Features**

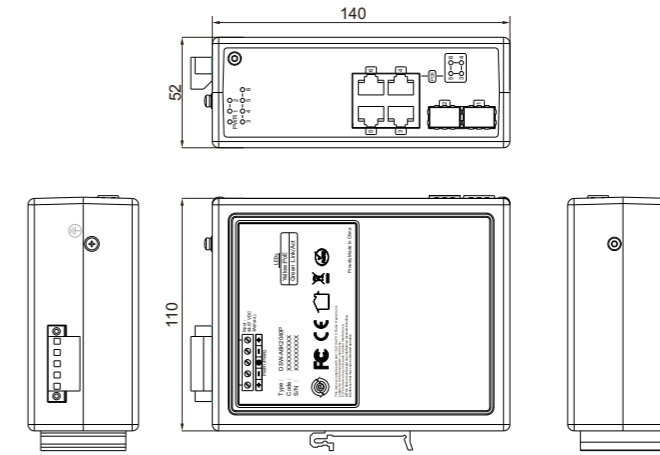
- Full Gigabit Ethernet ports.
- 20Gbps backplane bandwidth.
- Support IEEE 802.3af/at compliant PoE.
- Each PoE port provides up to 30W output power
- PoE management: PoE device detection, PoE power management.
- Dual redundant power inputs design for DC models.
- IP40 Die-casting aluminum alloy housing.
- Fanless, -40 to 75°C wide operating temperature range.
- MTBF≥400,000 hours.

**Specifications**

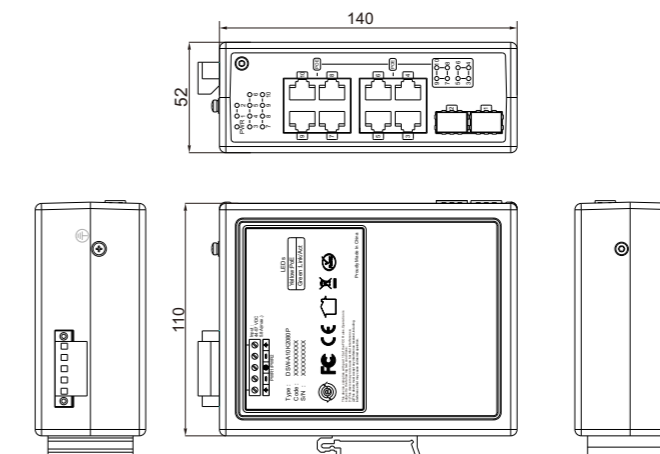
Type	DSW-A6K2040P	DSW-A10K2080P
Ports	2 BaseX SFP port, 4 BaseT ports	2 BaseX SFP port, 8 BaseT ports
Bandwidth	1000M	1000M
<b>Switch Properties</b>		
Processing Type	Store-and-Forward	
Backplane Bandwidth	20Gbps (Max)	
MAC Table Size	4K (Max)	
Exchange Rate	1,488,000 pps / 1000M ports	
<b>Power Parameters</b>		
Connection	1 removable 5-contact terminal block	
Input Voltage	DSW-A6K/A10K: 48-57VDC, Redundant dual inputs	
Overload Current Protection	Supported	
Reverse Polarity Protection	Supported	
<b>Physical Characteristics</b>		
Installation	DIN-rail mounting, Wall mounting	
Housing	Die-casting aluminum alloy housing	
Protection level	IP30	
(W×H×D) Dimensions	52mm×140mm×110mm	
Weight	0.7 kg	
MTBF	>400,000H	
<b>Environment Limits</b>		
Ambient Relative Humidity	5 to 95% (non-condensing)	
Operating Temperature	-40°C~75°C	
Storage Temperature	-40°C~85°C	
<b>Electromagnetic Characteristics</b>		
EMI	FCC 47 CFR Part 15 Class A EN55022 Class A	
<b>Standards and Certifications</b>		
Safety	FCC Part 15 Subpart B Class A	IEC/EN55022 Class A IEC60825-1
Industrial Control Industry	UL/cUL61010	
Power Industry	IEC61850-3 IEEE1613 (C37.90.x)	

**Overall Dimensions**

DSW-A6K2040P



DSW-A10K2080P



**Accessories**

Picture	Product	Transmission rate	Transfer mode	Matching model
	DSW-SFP-10-S-20	100/1000Mbps	Single mode	DSW-A6K2040P DSW-A10K2080P
/	/	/	/	/


**Features**

- Small size, easy to install.
- You can select PNP, NPN according to the function mode of the controller.
- There is LED indicator light, you can see the working status of the product.
- IP67 level of protection.
- You can choose the material and length of the cable.

**Product**

Product	JB-M8-04-P-00	JB-M8-04-N-00	Product	JB-M8-04-P-00	JB-M8-04-N-00
Functional description	Split Plastic box, 4 channels, single signal, PNP	Split Plastic box, 4 channels, single signal, NPN	Functional description	Split Plastic box, 4 channels, single signal, PNP	Split Plastic box, 4 channels, single signal, NPN
<b>Performance Parameter</b>			<b>I/O Parameters</b>		
Signal type	PNP	NPN	Rated Voltage	24VDC	
Number of i/o channels	4		Rated Current	1.5A	
Number of signal output points	1		Interface type	M8 Female Acode 3P IEC 61076-2-104	
Shell material	PBT		Torque	0.2Nm(1.77Lb-In)	
Contact Material	Copper alloy		Interface material	Copper alloy	
Contact surface material	Au		Thread material	Ni	
Contact Material	PA		<b>Mechanical Structure</b>		
Contact Resistance	<10mΩ		Protection grade	IP67	
<b>Power Supply Parameters</b>			size(L X W X H)	86.6mm X 30.6mm X 27mm	
Supply Voltage	10...30VDC		<b>Work Environment</b>		
Supply Current MAX	Max 4A		Working temperature	-25...80°C	
Interface type	M12 Male Acode 8P IEC 61076-2-101		Storage temperature	-25...80°C	
Torque	0.4Nm(3.54Lb-In)		<b>LED Status Indicator</b>		
Interface material	Copper alloy		Power Lamp	Green LED	
Thread material	Ni		I/O Lamp	Yellow LED	

Cable																								
Product	PM-M12A-08P-FF-SL8A02-00A(H)	PM-M12A-08P-FF-SL8B02-00A(H)	PM-M12A-08P-FF-SR8A02-00A(H)	PM-M12A-08P-FF-SR8B02-00A(H)																				
Shell material	M12 * 1 Female Overmolded with Cable Plug, 8P, single end, Unshielded, Straight, PVC, 2m	M12 * 1 Female Overmolded with Cable Plug, 8P, single end, Unshielded, Straight, PUR, 2m	M12 * 1 Female Overmolded with Cable Plug, 8P, single end, Unshielded, Angled, PVC, 2m	M12 * 1 Female Overmolded with Cable Plug, 8P, single end, Unshielded, Angled, PUR, 2m																				
Cable																								
M12 Connector Pin drawing			<table border="1"> <thead> <tr> <th>NO.</th> <th>Color</th> <th>NO.</th> <th>Color</th> </tr> </thead> <tbody> <tr> <td>1</td> <td>White(WH)</td> <td>5</td> <td>Grey(GY)</td> </tr> <tr> <td>2</td> <td>Brown(BN)</td> <td>6</td> <td>Pink(PK)</td> </tr> <tr> <td>3</td> <td>Green(GN)</td> <td>7</td> <td>Blue(BU)</td> </tr> <tr> <td>4</td> <td>Yellow(YE)</td> <td>8</td> <td>Red(RD)</td> </tr> </tbody> </table>		NO.	Color	NO.	Color	1	White(WH)	5	Grey(GY)	2	Brown(BN)	6	Pink(PK)	3	Green(GN)	7	Blue(BU)	4	Yellow(YE)	8	Red(RD)
NO.	Color	NO.	Color																					
1	White(WH)	5	Grey(GY)																					
2	Brown(BN)	6	Pink(PK)																					
3	Green(GN)	7	Blue(BU)																					
4	Yellow(YE)	8	Red(RD)																					
M8 Pin drawing																								
Junction Box drawing																								
Wiring Diagram	<b>JB-M8-04-P-00</b> 		<b>JB-M8-04-N-00</b> 																					


**Features**

- Small size, easy to install.
- You can select PNP, NPN according to the function mode of the controller.
- There is LED indicator light, you can see the working status of the product.
- IP67 level of protection.
- You can choose the material and length of the cable.

**Product**

Product	JB-M8-06-P-00	JB-M8-06-N-00	Product	JB-M8-06-P-00	JB-M8-06-N-00
Functional description	Split Plastic box, 6 channels, single signal, PNP	Split Plastic box, 6 channels, single signal, PNP	Functional description	Split Plastic box, 6 channels, single signal, PNP	Split Plastic box, 6 channels, single signal, PNP
<b>Performance Parameter</b>			<b>I/O Parameters</b>		
Signal type	PNP	NPN	Rated Voltage	24VDC	
Number of i/o channels	6		Rated Current	1.5A	
Number of signal output points	1		Interface type	M8 Female Acode 3P IEC 61076-2-104	
Shell material	PBT		Torque	0.2Nm(1.77Lb-In)	
Contact Material	Copper alloy		Interface material	Copper alloy	
Contact surface material	Au		Thread material	Ni	
Contact Material	PA		<b>Mechanical Structure</b>		
Contact Resistance	<10mΩ		Protection grade	IP67	
<b>Power Supply Parameters</b>			size(L X W X H)	106.6mm X 30.6mm X 27mm	
Supply Voltage	10...30VDC		<b>Work Environment</b>		
Supply Current MAX	Max 4A		Working temperature	-25...80°C	
Interface type	M12 Male Acode 8P IEC 61076-2-101		Storage temperature	-25...80°C	
Torque	0.4Nm(3.54Lb-In)		<b>LED Status Indicator</b>		
Interface material	Copper alloy		Power Lamp	Green LED	
Thread material	Ni		I/O Lamp	Yellow LED	

Cable																								
Product	PM-M12A-08P-FF-SL8A02-00A(H)	PM-M12A-08P-FF-SL8B02-00A(H)	PM-M12A-08P-FF-SR8A02-00A(H)	PM-M12A-08P-FF-SR8B02-00A(H)																				
Shell material	M12 * 1 Female Overmolded with Cable Plug, 8P, single end, Unshielded, Straight, PVC, 2m	M12 * 1 Female Overmolded with Cable Plug, 8P, single end, Unshielded, Straight, PUR, 2m	M12 * 1 Female Overmolded with Cable Plug, 8P, single end, Unshielded, Angled, PVC, 2m	M12 * 1 Female Overmolded with Cable Plug, 8P, single end, Unshielded, Angled, PUR, 2m																				
Cable																								
M12 Connector Pin drawing			<table border="1"> <thead> <tr> <th>NO.</th> <th>Color</th> <th>NO.</th> <th>Color</th> </tr> </thead> <tbody> <tr> <td>1</td> <td>White(WH)</td> <td>5</td> <td>Grey(GY)</td> </tr> <tr> <td>2</td> <td>Brown(BN)</td> <td>6</td> <td>Pink(PK)</td> </tr> <tr> <td>3</td> <td>Green(GN)</td> <td>7</td> <td>Blue(BU)</td> </tr> <tr> <td>4</td> <td>Yellow(YE)</td> <td>8</td> <td>Red(RD)</td> </tr> </tbody> </table>		NO.	Color	NO.	Color	1	White(WH)	5	Grey(GY)	2	Brown(BN)	6	Pink(PK)	3	Green(GN)	7	Blue(BU)	4	Yellow(YE)	8	Red(RD)
NO.	Color	NO.	Color																					
1	White(WH)	5	Grey(GY)																					
2	Brown(BN)	6	Pink(PK)																					
3	Green(GN)	7	Blue(BU)																					
4	Yellow(YE)	8	Red(RD)																					
M8 Pin drawing																								
Junction Box drawing																								
Wiring Diagram	<p><b>JB-M8-06-P-00</b></p> <p>M8 Female Acode 3P</p>		<p><b>JB-M8-06-N-00</b></p> <p>M8 Female Acode 3P</p>																					




**Features**

- Small size, easy to install.
- You can select PNP, NPN according to the function mode of the controller.
- There is LED indicator light, you can see the working status of the product.
- IP67 level of protection.
- You can choose the material and length of the cable.

Product					
Product	JB-M8-08-P-00	JB-M8-08-N-00	Product	JB-M8-08-P-00	JB-M8-08-N-00
Functional description	Split Plastic box, 8 channels, single signal, PNP	Split Plastic box, 8 channels, single signal, NPN	Functional description	Split Plastic box, 8 channels, single signal, PNP	Split Plastic box, 8 channels, single signal, NPN
Performance Parameter			I/O Parameters		
Signal type	PNP	NPN	Rated Voltage	24VDC	
Number of i/o channels	8		Rated Current	1.5A	
Number of signal output points	1		Interface type	M8 Female Acode 3P IEC 61076-2-104	
Shell material	PBT		Torque	0.2Nm(1.77Lb-In)	
Contact Material	Copper alloy		Interface material	Copper alloy	
Contact surface material	Au		Thread material	Ni	
Contact Material	PA		Mechanical Structure		
Contact Resistance	<10mΩ		Protection grade	IP67	
Power Supply Parameters			size(L X W X H)	126.6mm X 30.6mm X 27mm	
Supply Voltage	10...30VDC		Work Environment		
Supply Current MAX	Max 4A		Working temperature	-25...80°C	
Interface type	M12 Male Acode 12P IEC 61076-2-101		Storage temperature	-25...80°C	
Torque	0.4Nm(3.54Lb-In)		LED Status Indicator		
Interface material	Copper alloy		Power Lamp	Green LED	
Thread material	Ni		I/O Lamp	Yellow LED	

Cable																																
Product	PM-M12A-12P-FF-SL8A03-00A(H)	PM-M12A-12P-FF-SL8B03-00A(H)	PM-M12A-12P-FF-SR8A03-00A(H)	PM-M12A-12P-FF-SR8B03-00A(H)																												
Shell material	M12 * 1 Female Overmolded with Cable Plug, 12P, single end, Unshielded, Straight, PVC, 3m	M12 * 1 Female Overmolded with Cable Plug, 12P, single end, Unshielded, Straight, PUR, 3m	M12 * 1 Female Overmolded with Cable Plug, 12P, single end, Unshielded, Angled, PVC, 3m	M12 * 1 Female Overmolded with Cable Plug, 12P, single end, Unshielded, Angled, PUR, 3m																												
Cable																																
M12 Connector Pin drawing			<table border="1"> <thead> <tr> <th>NO.</th> <th>Color</th> <th>NO.</th> <th>Color</th> </tr> </thead> <tbody> <tr> <td>1</td> <td>Brown(BN)</td> <td>7</td> <td>Black (BK)</td> </tr> <tr> <td>2</td> <td>Blue(BU)</td> <td>8</td> <td>Grey(GY)</td> </tr> <tr> <td>3</td> <td>White(WH)</td> <td>9</td> <td>Red(RD)</td> </tr> <tr> <td>4</td> <td>Green(GN)</td> <td>10</td> <td>Violet(VT)</td> </tr> <tr> <td>5</td> <td>Pink(PK)</td> <td>11</td> <td>Grey/Pink(GY/PK)</td> </tr> <tr> <td>6</td> <td>Yellow(YE)</td> <td>12</td> <td>Red/Blue(RD/BU)</td> </tr> </tbody> </table>		NO.	Color	NO.	Color	1	Brown(BN)	7	Black (BK)	2	Blue(BU)	8	Grey(GY)	3	White(WH)	9	Red(RD)	4	Green(GN)	10	Violet(VT)	5	Pink(PK)	11	Grey/Pink(GY/PK)	6	Yellow(YE)	12	Red/Blue(RD/BU)
NO.	Color	NO.	Color																													
1	Brown(BN)	7	Black (BK)																													
2	Blue(BU)	8	Grey(GY)																													
3	White(WH)	9	Red(RD)																													
4	Green(GN)	10	Violet(VT)																													
5	Pink(PK)	11	Grey/Pink(GY/PK)																													
6	Yellow(YE)	12	Red/Blue(RD/BU)																													
M8 Pin drawing																																
Junction Box drawing																																
Wiring Diagram																																


**Features**

- Small size, easy to install.
- You can select PNP, NPN according to the function mode of the controller.
- There is LED indicator light, you can see the working status of the product.
- IP67 level of protection.
- You can choose the material and length of the cable.

**Product**

Product	JB-M8-10-P-00	JB-M8-10-N-00	Product	JB-M8-10-P-00	JB-M8-10-N-00
Functional description	Split Plastic box, 10 channels, single signal, PNP	Split Plastic box, 10 channels, single signal, PNP	Functional description	Split Plastic box, 10 channels, single signal, PNP	Split Plastic box, 10 channels, single signal, PNP
<b>Performance Parameter</b>			<b>I/O Parameters</b>		
Signal type	PNP	NPN	Rated Voltage	24VDC	
Number of i/o channels	10		Rated Current	1.5A	
Number of signal output points	1		Interface type	M8 Female Acode 3P IEC 61076-2-104	
Shell material	PBT		Torque	0.2Nm(1.77Lb-In)	
Contact Material	Copper alloy		Interface material	Copper alloy	
Contact surface material	Au		Thread material	Ni	
Contact Material	PA		<b>Mechanical Structure</b>		
Contact Resistance	<10mΩ		Protection grade	IP67	
<b>Power Supply Parameters</b>			size(L X W X H)	146.6mm X 30.6mm X 27mm	
Supply Voltage	10...30VDC		<b>Work Environment</b>		
Supply Current MAX	Max 4A		Working temperature	-25...80°C	
Interface type	M12 Male Acode 12P IEC 61076-2-101		Storage temperature	-25...80°C	
Torque	0.4Nm(3.54Lb-In)		<b>LED Status Indicator</b>		
Interface material	Copper alloy		Power Lamp	Green LED	
Thread material	Ni		I/O Lamp	Yellow LED	

Cable																																
Product	PM-M12A-12P-FF-SL8A02-00A(H)	PM-M12A-12P-FF-SL8B02-00A(H)	PM-M12A-12P-FF-SR8A02-00A(H)	PM-M12A-12P-FF-SR8B02-00A(H)																												
Shell material	M12 * 1 Female Overmolded with Cable Plug, 12P, single end, Unshielded, Straight, PVC, 3m	M12 * 1 Female Overmolded with Cable Plug, 12P, single end, Unshielded, Straight, PUR, 3m	M12 * 1 Female Overmolded with Cable Plug, 12P, single end, Unshielded, Angled, PVC, 3m	M12 * 1 Female Overmolded with Cable Plug, 12P, single end, Unshielded, Angled, PUR, 3m																												
Cable																																
M12 Connector Pin drawing			<table border="1"> <thead> <tr> <th>NO.</th> <th>Color</th> <th>NO.</th> <th>Color</th> </tr> </thead> <tbody> <tr> <td>1</td> <td>Brown(BN)</td> <td>7</td> <td>Black (BK)</td> </tr> <tr> <td>2</td> <td>Blue(BU)</td> <td>8</td> <td>Grey(GY)</td> </tr> <tr> <td>3</td> <td>White(WH)</td> <td>9</td> <td>Red(RD)</td> </tr> <tr> <td>4</td> <td>Green(GN)</td> <td>10</td> <td>Violet(VT)</td> </tr> <tr> <td>5</td> <td>Pink(PK)</td> <td>11</td> <td>Grey/Pink(GY/PK)</td> </tr> <tr> <td>6</td> <td>Yellow(YE)</td> <td>12</td> <td>Red/Blue(RD/BU)</td> </tr> </tbody> </table>		NO.	Color	NO.	Color	1	Brown(BN)	7	Black (BK)	2	Blue(BU)	8	Grey(GY)	3	White(WH)	9	Red(RD)	4	Green(GN)	10	Violet(VT)	5	Pink(PK)	11	Grey/Pink(GY/PK)	6	Yellow(YE)	12	Red/Blue(RD/BU)
NO.	Color	NO.	Color																													
1	Brown(BN)	7	Black (BK)																													
2	Blue(BU)	8	Grey(GY)																													
3	White(WH)	9	Red(RD)																													
4	Green(GN)	10	Violet(VT)																													
5	Pink(PK)	11	Grey/Pink(GY/PK)																													
6	Yellow(YE)	12	Red/Blue(RD/BU)																													
M8 Pin drawing																																
Junction Box drawing																																
Wiring Diagram	<b>JB-M8-10-P-00</b> 		<b>JB-M8-10-N-00</b> 																													


**Features**

- Small size, easy to install.
- You can select PNP, NPN according to the function mode of the controller.
- There is LED indicator light, you can see the working status of the product.
- IP67 level of protection.
- You can choose the material and length of the cable.

Product		
Product	JB-M8-04-P-A03-00	JB-M8-04-N-A03-00
Functional description	Pre-injected cable, plastic box, 4 channels, single signal, PNP, PVC, 3m	Pre-injected cable, plastic box, 4 channels, single signal, NPN, PVC, 3m
Performance Parameter		
Signal type	PNP	NPN
Number of i/o channels	4	
Number of signal output points	1	
Shell material	PBT	
Contact Material	Copper alloy	
Contact surface material	Au	
Contact Material	PA	
Contact Resistance	<10mΩ	
Cable material	PUR/PP, 5 million times	
Cable length	3m	
Power Supply Parameters		
Supply Voltage	10...30VDC	
Supply Current MAX	Max 4A	
I/O Parameters		
Rated Voltage	24VDC	
Rated Current	1.5A	
Interface type	M8 Female Acode 3P IEC 61076-2-104	
Torque	0.2Nm(1.77Lb-In)	
Interface material	Copper alloy	
Thread material	Ni	

**Mechanical Structure**

Protection grade	IP67
size(L X W X H)	86.6mm X 30.6mm X 18mm

**Work Environment**

Working temperature	-25...80°C
Storage temperature	-25...80°C

**LED Status Indicator**

Power Lamp	Green LED
I/O Lamp	Yellow LED

**Product Figure**

M8 Pin drawing

M8 Female Acode 3P

Junction Box drawing

Wiring Diagram

**JB-M8-04-P-A03-00**

1	Un
3	0 V
4	Signal

**JB-M8-04-N-A03-00**

1	Un
3	0 V
4	Signal


**Features**

- Small size, easy to install.
- You can select PNP, NPN according to the function mode of the controller.
- There is LED indicator light, you can see the working status of the product.
- IP67 level of protection.
- You can choose the material and length of the cable.

Product		
Product	JB-M8-06-P-A03-00	JB-M8-06-N-A03-00
Functional description	Pre-injected cable, plastic box, 6 channels, single signal, PNP, PVC, 3m	Pre-injected cable, plastic box, 6 channels, single signal, NPN, PVC, 3m
Performance Parameter		
Signal type	PNP	NPN
Number of i/o channels	6	
Number of signal output points	1	
Shell material	PBT	
Contact Material	Copper alloy	
Contact surface material	Au	
Contact Material	PA	
Contact Resistance	<10mΩ	
Cable material	PUR/PP, 5 million times	
Cable length	3m	
Power Supply Parameters		
Supply Voltage	10...30VDC	
Supply Current MAX	Max 4A	
I/O Parameters		
Rated Voltage	24VDC	
Rated Current	1.5A	
Interface type	M8 Female Acode 3P IEC 61076-2-104	
Torque	0.2Nm(1.77Lb-In)	
Interface material	Copper alloy	
Thread material	Ni	

**Mechanical Structure**

Protection grade	IP67
size(L X W X H)	106.6mm X 30.6mm X 18mm

**Work Environment**

Working temperature	-25...80°C
Storage temperature	-25...80°C

**LED Status Indicator**

Power Lamp	Green LED
I/O Lamp	Yellow LED

**Product Figure**

M8 Pin drawing	<p>M8 Female Acode 3P</p>													
Junction Box drawing														
Wiring Diagram	<p><b>JB-M8-06-P-A03-00</b></p> <p>M8 Female Acode 3P</p> <table border="1"> <tr><td>1</td><td>Un</td></tr> <tr><td>3</td><td>0 V</td></tr> <tr><td>4</td><td>Signal</td></tr> </table>	1	Un	3	0 V	4	Signal	<p><b>JB-M8-06-N-A03-00</b></p> <p>M8 Female Acode 3P</p> <table border="1"> <tr><td>1</td><td>Un</td></tr> <tr><td>3</td><td>0 V</td></tr> <tr><td>4</td><td>Signal</td></tr> </table>	1	Un	3	0 V	4	Signal
1	Un													
3	0 V													
4	Signal													
1	Un													
3	0 V													
4	Signal													


**Features**

- Small size, easy to install.
- You can select PNP, NPN according to the function mode of the controller.
- There is LED indicator light, you can see the working status of the product.
- IP67 level of protection.
- You can choose the material and length of the cable.

Product		
Product	JB-M8-08-P-A03-00	JB-M8-08-N-A03-00
Functional description	Pre-injected cable, plastic box, 8 channels, single signal, PNP, PVC, 3m	Pre-injected cable, plastic box, 8 channels, single signal, NPN, PVC, 3m
Performance Parameter		
Signal type	PNP	NPN
Number of i/o channels	8	
Number of signal output points	1	
Shell material	PBT	
Contact Material	Copper alloy	
Contact surface material	Au	
Contact Material	PA	
Contact Resistance	<10mΩ	
Cable material	PUR/PP, 5 million times	
Cable length	3m	
Power Supply Parameters		
Supply Voltage	10...30VDC	
Supply Current MAX	Max 4A	
I/O Parameters		
Rated Voltage	24VDC	
Rated Current	1.5A	
Interface type	M8 Female Acode 3P IEC 61076-2-104	
Torque	0.2Nm(1.77Lb-In)	
Interface material	Copper alloy	
Thread material	Ni	

**Mechanical Structure**

Protection grade	IP67
size(L X W X H)	126.6mm X 30.6mm X 18mm

**Work Environment**

Working temperature	-25...80°C
Storage temperature	-25...80°C

**LED Status Indicator**

Power Lamp	Green LED
I/O Lamp	Yellow LED

**Product Figure**

M8 Pin drawing	<p>M8 Female Acode 3P</p>													
Junction Box drawing														
Wiring Diagram	<p><b>JB-M8-08-P-A03-00</b> M8 Female Acode 3P</p> <table border="1"> <tr><td>1</td><td>Un</td></tr> <tr><td>3</td><td>0 V</td></tr> <tr><td>4</td><td>Signal</td></tr> </table>	1	Un	3	0 V	4	Signal	<p><b>JB-M8-08-N-A03-00</b> M8 Female Acode 3P</p> <table border="1"> <tr><td>1</td><td>Un</td></tr> <tr><td>3</td><td>0 V</td></tr> <tr><td>4</td><td>Signal</td></tr> </table>	1	Un	3	0 V	4	Signal
1	Un													
3	0 V													
4	Signal													
1	Un													
3	0 V													
4	Signal													




**Features**

- Small size, easy to install.
- You can select PNP, NPN according to the function mode of the controller.
- There is LED indicator light, you can see the working status of the product.
- IP67 level of protection.
- You can choose the material and length of the cable.

Product		
Product	JB-M8-10-P-A03-00	JB-M8-10-N-A03-00
Functional description	Pre-injected cable, plastic box, 10 channels, single signal, PNP, PVC, 3m	Pre-injected cable, plastic box, 10 channels, single signal, NPN, PVC, 3m
Performance Parameter		
Signal type	PNP	NPN
Number of i/o channels	10	
Number of signal output points	1	
Shell material	PBT	
Contact Material	Copper alloy	
Contact surface material	Au	
Contact Material	PA	
Contact Resistance	<10mΩ	
Cable material	PUR/PP, 5 million times	
Cable length	3m	
Power Supply Parameters		
Supply Voltage	10...30VDC	
Supply Current MAX	Max 4A	
I/O Parameters		
Rated Voltage	24VDC	
Rated Current	1.5A	
Interface type	M8 Female Acode 3P IEC 61076-2-104	
Torque	0.2Nm(1.77Lb-In)	
Interface material	Copper alloy	
Thread material	Ni	

**Mechanical Structure**

Protection grade	IP67
size(L X W X H)	146.6mm X 30.6mm X 18mm

**Work Environment**

Working temperature	-25...80°C
Storage temperature	-25...80°C

**LED Status Indicator**

Power Lamp	Green LED
I/O Lamp	Yellow LED

**Product Figure**

M8 Female Acode 3P

Junction Box drawing

1	Un
3	0V
4	Signal

**JB-M8-10-P-A03-00**  
M8 Female Acode 3P

Wiring Diagram

1	Un
3	0V
4	Signal

**JB-M8-10-N-A03-00**  
M8 Female Acode 3P

Wiring Diagram

Product	Functional description	Picture	Dimensional drawing	Wiring Diagram	Wiring List
PM-M8A-03P-MM-SL7A02-00A(H)	M12 * 1 Male Overmolded with Cable Plug, 3P, single end, Unshielded, Straight, PVC, 2m				1.BN 3.BU 4.BK
PM-M8A-03P-MM-SL7B02-00A(H)	M12 * 1 Male Overmolded with Cable Plug, 3P, single end, Unshielded, Straight, PUR, 2m				1.BN 3.BU 4.BK
PM-M8A-03P-MM-SR7A02-00A(H)	M12 * 1 Male Overmolded with Cable Plug, 3P, single end, Unshielded, Angled, PVC, 2m				1.BN 3.BU 4.BK
PM-M8A-03P-MM-SR7B02-00A(H)	M12 * 1 Male Overmolded with Cable Plug, 3P, single end, Unshielded, Angled, PUR, 2m				1.BN 3.BU 4.BK
PB-M8A-03P-MM-SL7001-00A(H)	M8 * 1 Male Field Assembly Plug, 3P, Unshielded, Screw Connection, Straight				/
PB-M8A-03P-MM-SL7001-00A(H)	M8 * 1 Female Field Assembly Plug, 3P, Unshielded, Screw Connection, Straight				/

Product	Functional description	Picture	Dimensional drawing	Wiring Diagram	Wiring List
PB-M12A-08P-MM-SL7001-00A(H)	M12 * 1 Male Field Assembly Plug, 8P, Unshielded, Screw Connection, Straight				/
PB-M12A-08P-MM-SR7001-00A(H)	M12 * 1 Male Field Assembly Plug, 8P, Unshielded, Screw Connection, Angled				/
PA-M12A-12P-MM-SL7001-00A(H)	M12 * 1 Male Field Assembly Plug, 12P, Unshielded, Soldering Connection, Straight				/
PA-M12A-12P-MM-SR7001-00A(H)	M12 * 1 Male Field Assembly Plug, 12P, Unshielded, Soldering Connection, Angled				/
SD-M12A-08P-FF-SF8A0-00A(H)	M12 * 1 Female Panel Mount Receptacle, 8P, Rear Mounting, With 2m wires				1.WH 2.BN 3.GN 4.YE 5.GY 6.PK 7.BU 8.RD
PA-M12A-12P-MM-SR7001-00A(H)	M12 * 1 Female Panel Mount Receptacle, 12P, Rear Mounting, With 2m wires				1.BN 2.BU 3.WH 4.GN 5.PK 6.YW 7.BK 8.GY 9.RD 10.VT 11.GY/PK 12.RD/BU